

User Instruction Manual

Oxford® Presence

To avoid injury, read user manual prior to use. For alternative languages, contact your authorised service provider. Always refer to Joerns.co.uk for latest revision.

Manuel de l'utilisateur

Oxford® Presence

Afin d'éviter tout accident, veuillez lire attentivement la notice avant utilisation. Pour obtenir ces informations dans une autre langue, veuillez contacter votre prestataire de service agréé. Reportez-vous toujours à Joerns.co.uk pour la dernière révision.

Benutzerhandbuch

Oxford® Presence

Um Verletzungen zu vermeiden, lesen Sie bitte die Gebrauchsanweisung vor der ersten Benutzung. Für andere Sprachen wenden Sie sich an Ihren autorisierten Dienstanbieter. Beziehen Sie sich immer auf Joerns.co.uk für die neueste Version.

Manual de Instrucciones

Oxford® Presence

Para evitar posibles daños, lea previamente el manual de usuario. Para otros idiomas, póngase en contacto con su proveedor de servicios autorizado. Consulte siempre Joerns.co.uk para obtener la última revisión.

Gebruikershandleiding

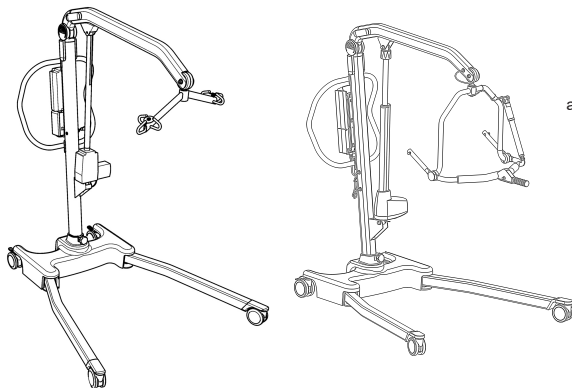
Oxford® Presence

Lees voor gebruik de handleiding om letsel te voorkomen. Neem voor andere talen contact op met uw erkende dienstverlener. Raadpleeg altijd Joerns.co.uk voor de laatste revisie.

Manuale d'uso per l'utente

Oxford® Presence

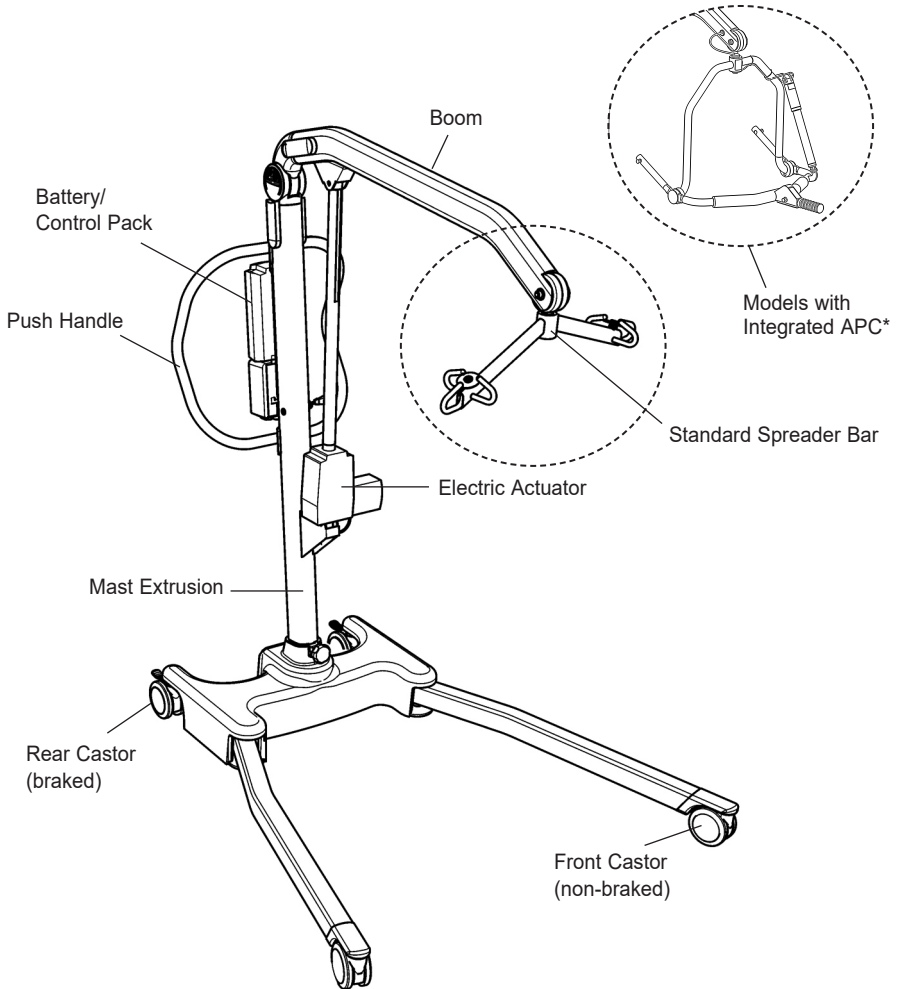
Per evitare possibili lesioni, prima dell'uso leggere questo manuale. Per altre lingue, contattare un Centro di assistenza autorizzato. Fare sempre riferimento a Joerns.co.uk per l'ultima revisione.



Contents

1. The Oxford Presence Patient Lift.....	3
2. Introduction: About Your Lift	4
3. Assembly and Commissioning Instructions	5
4. Safety Precautions	11
5. Smart Monitor & Handset.....	13
6. Operating Instructions	18
7. Removal of Spreader Bar/Cradle Systems	21
8. Charging Instructions	23
9. Maintenance Schedule.....	25
10. Technical Specifications.....	27
11. Warranty.....	30

1. The Oxford Presence Patient Lift



**The Integrated APC cannot be retro-fitted to standard Presence models. This must be specified at point of order. Alternatively, an optional, independently powered APC is available to order separately.*

2. Introduction: About Your Lift

Each Presence lift is fully assembled, load tested and certified before being packed/shipped.

The packing consists of a strong, purpose built carton that is used for both export and domestic markets to ensure the safe arrival of the lift. A number of documents are supplied in a wallet, and packed with each lift and should be kept safely for future reference.

- TEST CERTIFICATE
- USER MANUAL
- PACKING CHECK LIST

The TEST CERTIFICATE is an important document and should be kept for reference purposes.

To properly maintain your lift please refer to the maintenance schedule included in this document. If you are at all unsure what your country's servicing requirements are, please check with your dealer and/or a local government agency.

WARNING

Prior to each daily use of your lift the checks detailed in the daily checklist within this manual should be carried out.

The CE mark: The Oxford Presence carries the CE mark and complies with the following EC directives:



- Medical Device Regulation 2017/745
- EMC Directive 2014/30/EU
- Low Voltage Directive 2014/35/EU

Statement of Intended Use

The intended use of this lifting device is for the safe lifting and transfer of an individual from one resting surface to another (such as a bed to a wheelchair). Joerns Healthcare recommends that the transfer of a patient is fully risk assessed and conducted safely over a short distance only.

The Oxford Presence is suitable for patients in the SITTING, SITTING/RECUMBENT and RECUMBENT positions.

The Oxford Presence is an electrically operated patient lift, designed to support and promote safe patient handling and transfer for both the patient and carer.

The Oxford Presence lift is available in two variants; one which is fitted with a standard 6-point spreader bar and one that has an Integrated APC (4-point). The Oxford Presence lift which incorporates the 6-point spreader bar is also compatible with 4-point cradle options, available as after-market accessories. All configurations are designed to be used with the Oxford range of slings. The examples of slings suitable for use with this device are listed as follows:

- Oxford Quickfit
- Oxford Access
- Oxford Quickfit Deluxe
- Oxford Full Back
- Oxford Comfort
- Oxford Silkfit
- Oxford Long Seat

WARNING

Oxford Patient Lifts should only be operated by fully trained/competent care givers.

Expected Service Life

Oxford Professional lifts are designed and tested for a minimum service life of ten (10) years, subject to the use and maintenance procedures stated in this manual. Use, other than in accordance with these instructions, may compromise service life.

Serious Incident Reporting

In the event of a serious incident taking place during use of this product, affecting the patient and/or care-giver, it must be reported to the product manufacturer or authorised distributor. Should the incident take place within the European Union (EU), it must also be reported to the local competent authority within the member state.

3. Assembly and Commissioning Instructions

Carton Contents

Place the carton in a clear working area and open carefully. The carton contains:

- OXFORD PRESENCE LIFT
- WALLET CONTAINING DOCUMENTS
- HAND CONTROL
- BATTERY PACK
- CHARGING LEAD
- DESK TOP CHARGER/STAND

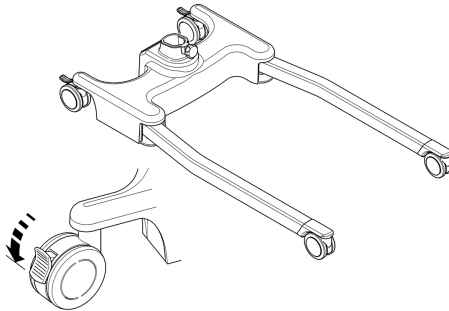
▲ WARNING

The Oxford Presence is heavy and will need to be lifted with care. You may need assistance to lift the Oxford Presence from the carton.

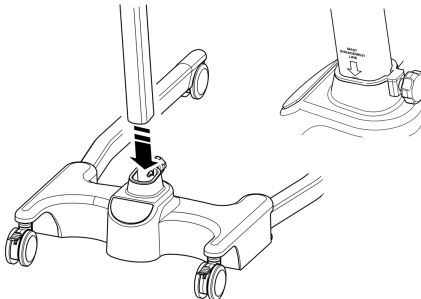
Assembly Instructions

1. Remove all the parts from the carton and place on the floor, taking care to protect the finish from damage.

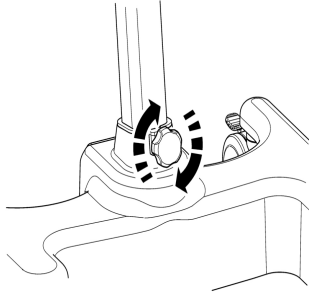
Place the chassis in a clear space and apply the rear brakes.



2. Fit the mast and boom assembly into the chassis socket



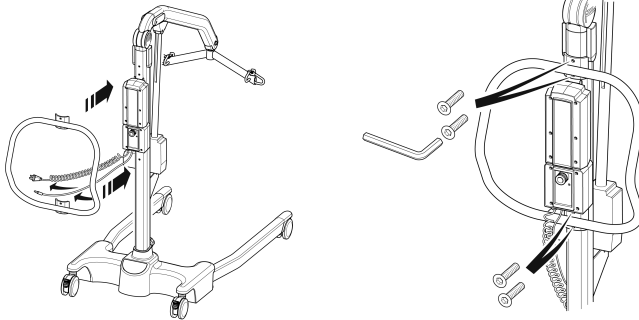
3. Tighten the mast assembly with the mast-locking device, which is located at the front of the chassis.



⚠ WARNING

Avoid trapping fingers. Keep fingers away from the end of the mast when inserting into the chassis socket. Full engagement of the mast is indicated by the label on the side of the mast. The electric leg operation will not function unless the mast is fully engaged.

4. Turn the locking knob until hand tight.
 5. Line the handle assembly up to the rear of the mast, and attach using the fixings provided. The fixings and wrench needed to attached the handle are kept in the user instruction wallet for safe keeping.
- NOTE:** When attaching the handle to the mast be sure that all trailing wires are left outside the handle before fixing.



6. Fit power pack to the lift and make sure the latch holding the pack in place is fully engaged. "Click" in place.

Initial Attachment of the Integrated APC

FOLLOW THESE INSTRUCTIONS EXACTLY

The Integrated APC must be attached to the lift and connected electrically by a competent person before use. The Integrated APC is attached to the boom using the standard Presence quick release pin with the addition of the electrical connection which is made inside the boom.

CONNECTION

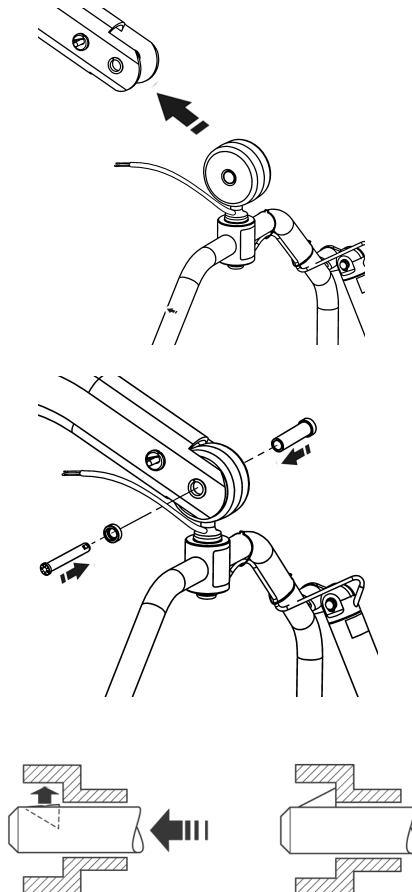
To connect the cradle:

Lift the Integrated APC up towards the boom aperture.

Insert the pin sleeve through the plastic end cap and to support the Integrated APC.

Once aligned in the boom aperture, reinsert the quick release pin fully into the sleeve until it locks into position. **YOU MUST CHECK THAT THE PIN IS SECURELY FITTED.**

To do this, press your finger into the barbed end. If the pin remains stationary the lift is safe to use.



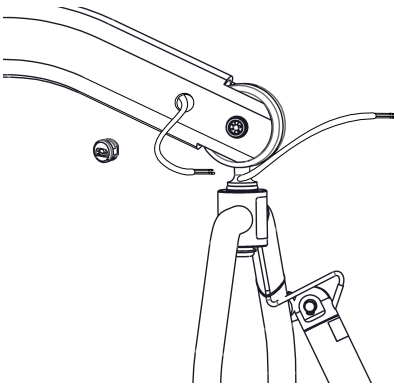
CONNECTION

To make the electrical connection:

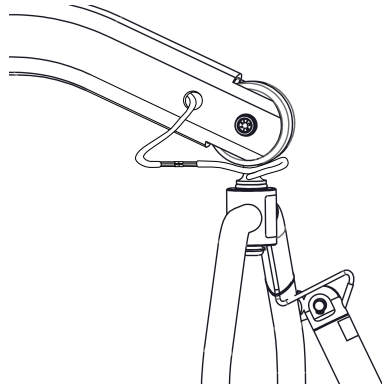
Ensure the battery is disconnected and the control box is powered off.

1. Remove the cable grip from the boom using a small flat blade screw driver.
Find and pull through the ends of the wires through the hole in the side of the boom.
2. Connect the bullet terminals on the ends of the wires to the bullet terminals on the end of the wires from the Integrated APC.
3. Fit the cable grip around the cable 150mm from the point the cable enters the cradle connection pin.
4. Feed any excess wire, including the bullet terminals, through the hole and into the boom.
5. Fit the cable grip back into the hole in the boom, ensuring it is pressed all the way in.
6. Check there is still 150mm of free cable length between the boom and the Integrated APC.

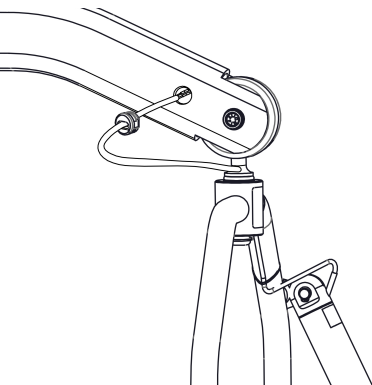
1



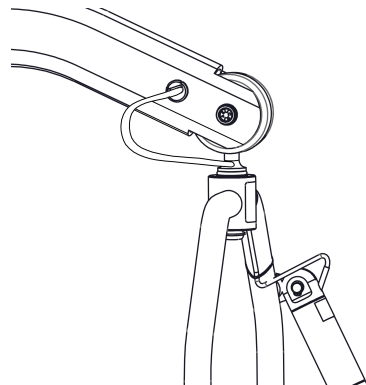
2



3



5

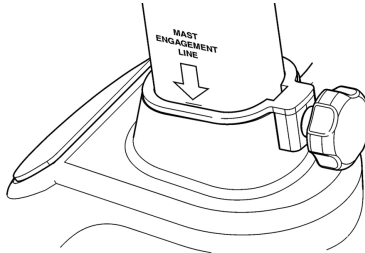


DISASSEMBLY

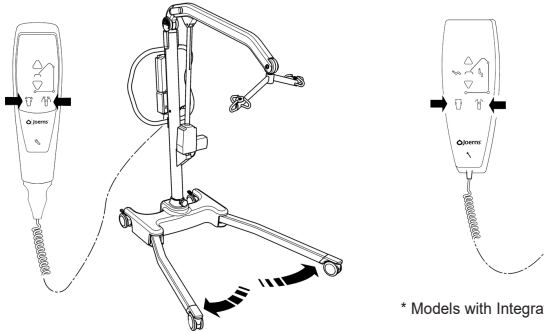
The lift should not be disassembled unless for service, repair or transport if necessary. If disassembly is required, simply follow the assembly instructions in reverse sequence.

ALWAYS CHECK THE FOLLOWING BEFORE OPERATION

- The mast is fully locked into position.

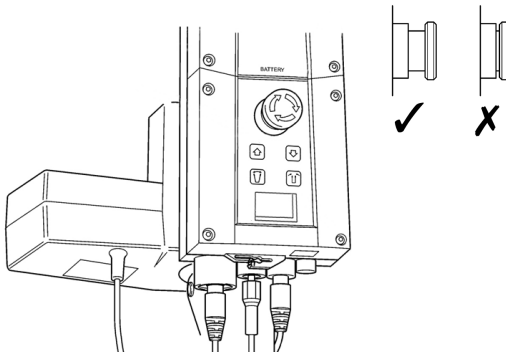


- The legs of the lift open and close satisfactorily (This is done via the hand control).

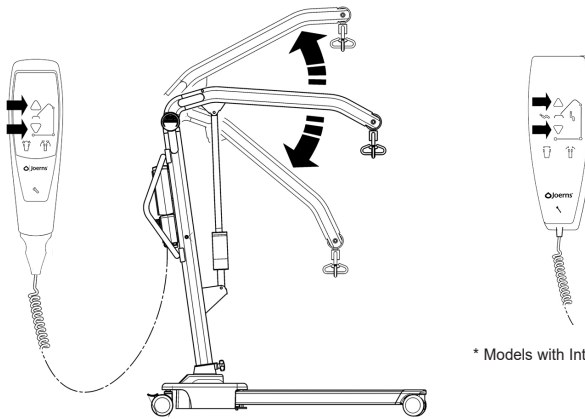


* Models with Integrated APC.

- The red emergency stop button, located on the rear of the control box, is in the OFF (out) position.

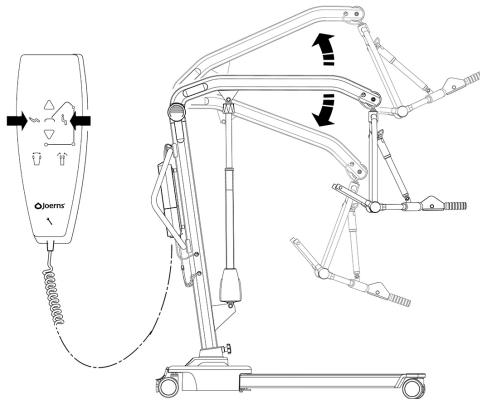


- Push the up and down buttons on the hand control and confirm the boom rises and lowers.



* Models with Integrated APC.

- On models with Integrated APC, push the seated person buttons on the hand control and confirm the cradle re-positions accordingly.



4. Safety Precautions

Please read and follow the safety precautions listed below. The operation and use of Oxford patient lifts is simple and straightforward. Following these few basic safety precautions will make lifting operations easy and trouble free.

READ AND UNDERSTAND THE USER INSTRUCTION MANUAL BEFORE USING THE OXFORD PRESENCE LIFT

WARNING: Important safety information for hazards that might cause serious injury.

CAUTION: Information for preventing damage to the product.

NOTE: Information to which you should pay special attention.

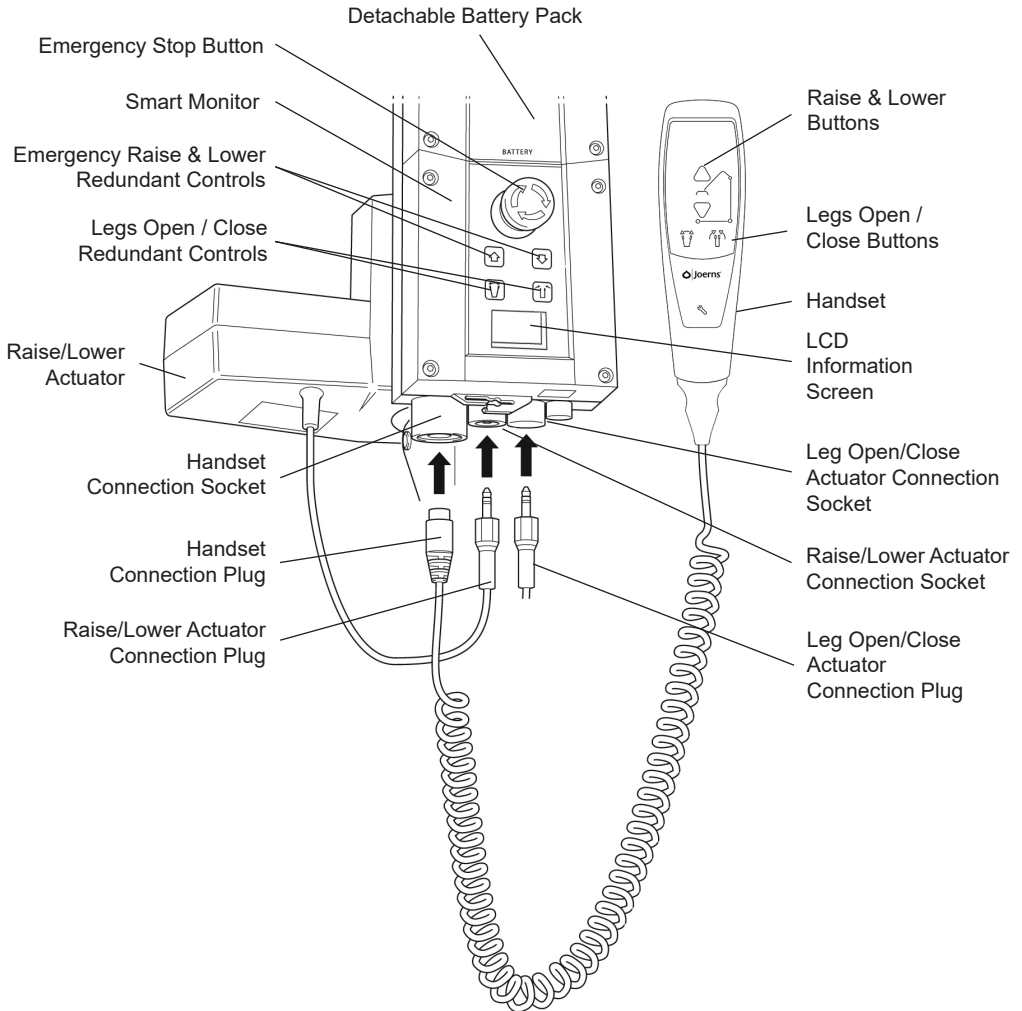
WARNING

- Oxford Patient Lifts should only be operated by fully trained/competent care givers.
- ALWAYS plan your lifting operations before commencing.
- ALWAYS carry out the DAILY CHECK LIST (later in this manual) before using the lift.
- ALWAYS familiarise yourself with the operating control and safety features of a lift before lifting a patient.
- DO NOT use a sling unless it is recommended for use with the lift.
- ALWAYS check the sling is suitable for the particular patient and is of the correct size and capacity.
- NEVER use a sling, which is frayed or damaged.
- ALWAYS fit the sling according to the instructions provided (user instructions).
- ALWAYS check the safe working load of the lift is suitable for the weight of the patient.
- ALWAYS carry out lifting operations according to the instructions in the user manual.
- NEVER disconnect or bypass a control or safety feature because it seems easier to operate the lift.
- DO NOT lift a patient with the castor brakes on. Always let the lift find the correct centre of gravity.
- DO NOT attempt to manoeuvre the lift by pushing on the mast, boom or patient.
- ALWAYS manoeuvre the lift with the handle provided.
- ALWAYS lower the patient to the lowest comfortable position before transfers.
- DO NOT push a loaded lift at speeds, which exceed a slow walking pace (3 Kilometers/hour 0.8 meters/second).
- DO NOT push the lift over uneven or rough ground, particularly if loaded.
- DO NOT attempt to push/pull a loaded lift over a floor obstruction, which the castors are unable to ride over.
- NEVER force an operating/safety control. All controls are easy to use and do not require excessive force.
- The MINIMUM load required to manually lower the hoist using the mechanical emergency down function is 30 kg.
- DO NOT park a loaded lift on ANY sloping surface.

- **DO NOT** use electric lifts in a shower.
- **DO NOT** charge an electric lift in a bathroom or shower room.
- **DO NOT** lift a patient unless you are trained and competent to do so.
- **YOUR** lift is for patient lifting. **DO NOT** use it, or allow it to be used, for any other purpose.
- **DO NOT** bump the lift down steps, loaded or unloaded.
- **DO NOT** attempt to negotiate a loaded lift on a slope, which exceeds 1:12 (approximately 5 degrees).
- **DO NOT** attempt to negotiate a slope without a second helper being present.
- **ALWAYS** check the hoist is not charging before moving as the electrical connection may be damaged.

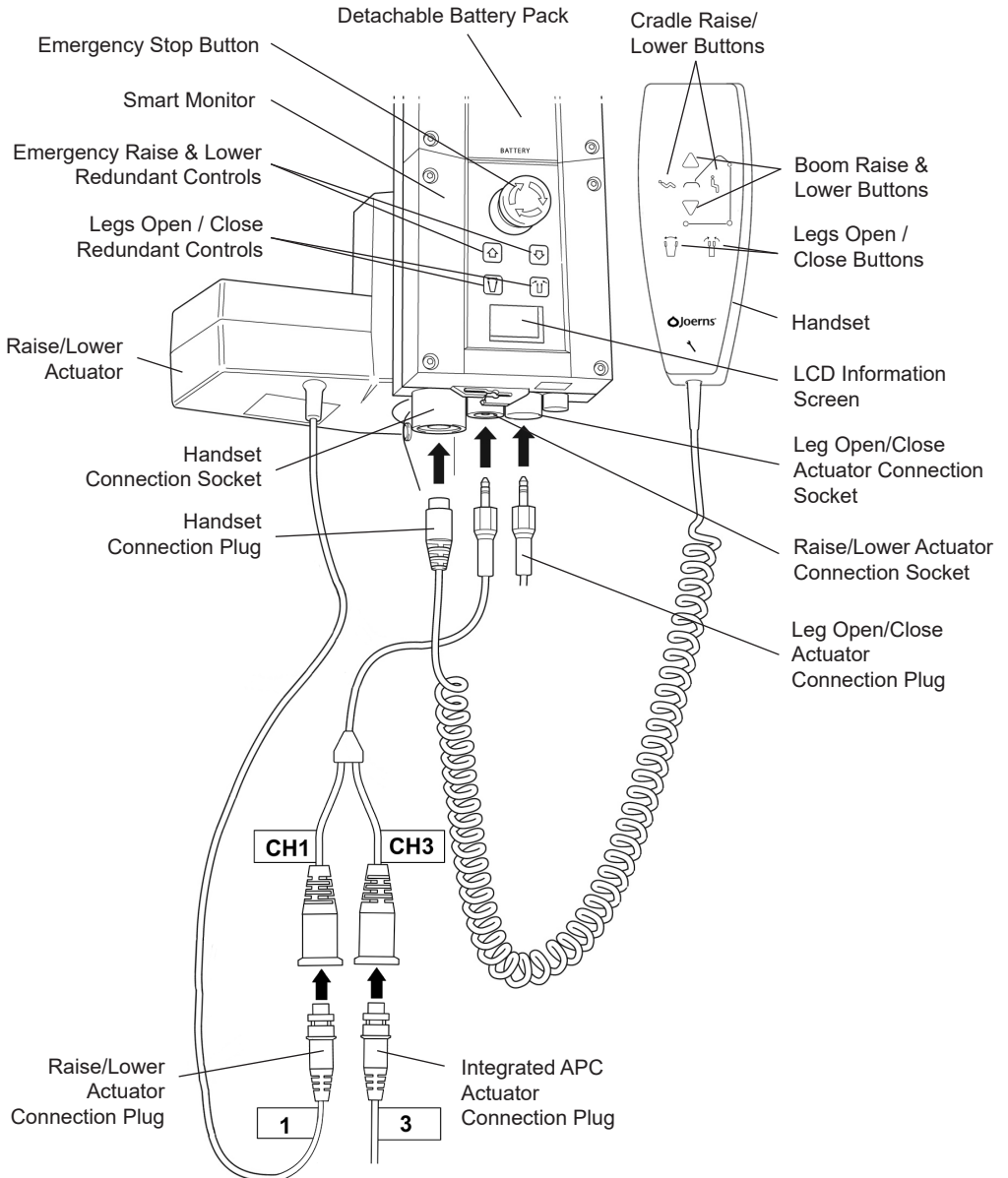
5. Smart Monitor & Handset

Standard Presence



Presence Fitted with Integrated APC

On models with Integrated APC, the handset and actuator cable connects will connect as follows:



Intended Use

The Oxford Smart Monitor is a control system for Oxford Hoists. The Smart Monitor stores useful servicing information about the hoist that can be recalled when required. This servicing information includes:

- Number of patient lift cycles
- Total work done by actuator
- Number of lift overloads (attempted lifts above the safe working load)
- Number of days since last service interval

The Oxford Smart Monitor contains a microprocessor inside making it possible to read out service data via the on-board LCD screen.

Features

- Data collection in the control box with data display via LCD screen
- Work counter
- Intelligent cycle counter
- Service indicator
- Service interval indicator
- Overload information
- 3 step battery indicator




Benefits

- Improved safety for both patient and carer
- Accurate service data available at the touch of a button
- Optimised product life time
- Ease of maintenance for engineers and service technicians

LCD Display Screen

The Oxford Smart Monitor has the option to read out information via the LCD display screen. It is possible to read out total lifting cycles, total work done, overloads and number of days since last service, which can be used to quickly and easily evaluate the condition of the lift actuator.

This information is accessed by a ½ second press on the 'UP' button on the User handset or redundant 'UP' button on the Smart Monitor.

	12034	—	Total Lifting Cycles
A*S	1257000	—	Total Work Done (Amps * Seconds)
	7	—	Number of Overloads
	90/180	—	Number of Days (since last service) / Number of Days (between services)

Service & Usage Information



When it is time for a service, the service symbol will appear on the display. In addition, when the user handset is activated, the Smart Monitor will give an audible signal giving notice to users that a service is required.

The service symbol will be displayed each time the raise or lower keys are depressed on the User handset. When the service symbol is displayed, contact your authorised service provider immediately to arrange a service.

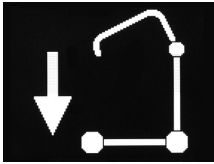


If the lift stops because of an overload (an attempt to lift more than the safe working load) the overload symbol will appear on the LCD display and the lift will cease to operate until the additional load (above the SWL) has been removed.

WARNING

If the LCD display screen on your Smart Monitor has recorded an overload, Joerns Healthcare recommend that ALL routine daily checks are carried out on the lift prior to further use (for a list of daily checks, please refer to your lift user manual). Joerns Healthcare also recommend that you contact your authorised Oxford service provider for additional guidance.

On-Board Redundant Controls



On-board redundant controls enable the lift to be raised or lowered in the event of an emergency.

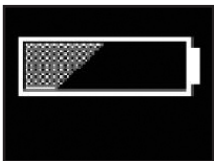


If your lift incorporates powered leg positioning, there are redundant controls to both open and close the legs.

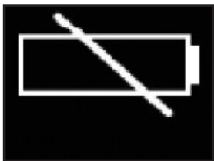
Battery Information



The display showing full battery means that the battery is fully charged and the lift is ready for use.



The display showing a half empty battery indicates that it is time to charge the battery.



The empty battery symbol showing on the display indicates that the battery has no capacity left and should be placed on charge immediately.

⚠ WARNING

To avoid possible permanent damage to the battery, the battery should be placed on charge as soon as the display indicates the half empty battery symbol.

6. Operating Instructions

⚠ WARNING

Oxford Patient Lifts should only be operated by fully trained/competent care givers.

1. Leg adjustment

The legs on the Oxford Presence are electrically adjustable for width. The legs can be opened to enable access around armchairs or wheelchairs. For transferring and negotiating narrow doorways and passages the lift legs should be in the closed position.

Electric leg adjustment - is achieved by pressing the appropriate buttons on the hand control. The legs will be locked whenever the hand control switch is released.

2. Castors and Braking

The lift has two braked castors which can be applied for parking. When lifting, the castors should be left free and un-braked. The lift will then be able to move to the centre of gravity of the lift. If the brakes are applied it is the patient that will swing to the centre of gravity and this may prove disconcerting and uncomfortable.

3. Raising and lowering the boom

The movement of the boom is achieved by a powerful electric actuator, which is controlled by a simple hand control unit. The hand control has two buttons with directional arrows UP and DOWN. The actuator stops automatically at the limit of travel in both directions. The hand control plugs into a socket at the base of the control box. There is a hook on the rear of the hand control, which allows it to be “parked” on the mast or boom when not in use.

4. Repositioning the Integrated APC (Only available on selected models)

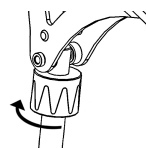
For models with Integrated APC, the electric actuator on the cradle can be adjusted using the hand control. The hand control has two buttons depicting a seated person in two different degrees of tilt. Use these buttons to move the cradle. The actuator stops automatically at the limit of travel in both directions. The cradle position will be locked whenever the hand control is released.

5. Emergency Stop

The red Emergency Stop Button is located on the front of the control box and is activated by pressing in. This will cut all power to the lift and only be reset by twisting the button anticlockwise and releasing.

6. Redundant controls

All Oxford lifts are fitted with raise and lower buttons on the control box. These are located underneath the emergency stop button and can be used to lower/raise the patient should the hand control fail.



7. Mechanical Emergency Down

In the case of a complete electrical failure the electrical actuator is fitted with a spring loaded mechanical lowering device (RED BOSS). This will only operate when the lift is under load. The device must be twisted by hand and released to activate. A slow decent will commence. Repeat this process until the patient has been safely lowered.

⚠ WARNING

If this feature is used, the lift MUST be subsequently checked out by a competent engineer.

8. Batteries

The batteries are protected from deep discharge by a LOW VOLTAGE ALARM. This will sound when the batteries need recharging and the hand control is being operated. It will not sound independently of the hand control being operated. CAUTION: DO NOT IGNORE THIS WARNING ALARM. Complete the lifting operation and place the lift on charge (see charging instructions).

⚠ WARNING

To avoid possible permanent damage to the battery, the battery should be placed on charge as soon as the display indicates the half empty battery symbol.

9. Slings

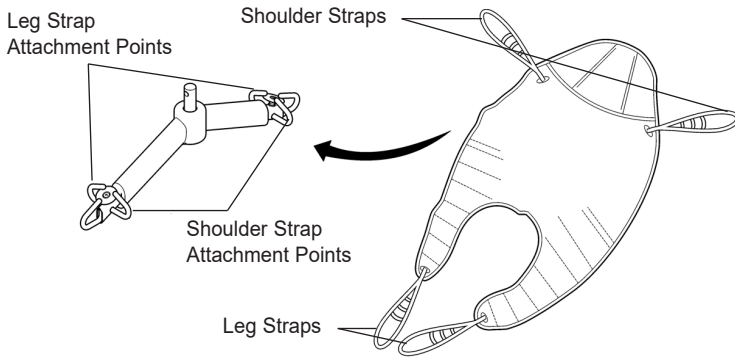
The Oxford Presence has the option of both a 6-point spreader bar and a 4-point positioning cradle. Both systems use different attachment methods and slings.

The 6-point system uses slings with webbing loops, which allow positioning adjustment by selecting different coloured loops. The 4-point cradle uses the Securi3 safety clip system and adjustment is made by rotating the 4-point cradle either upward or down.

Loop strap slings: Oxford Quickfit, Full Back, Quickfit Deluxe, Long Seat, Access and Silkfit

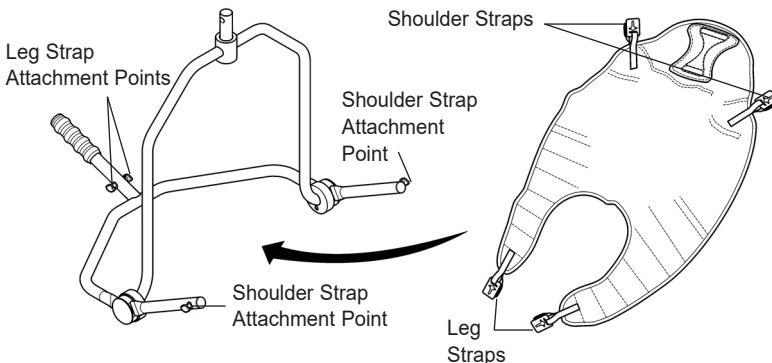
Safety clip slings: Oxford Comfort

The 6-point system attaches to the spreader bar hooks via loop straps (shown below), each sling is supplied with instructions. Please study the instruction guide before use.



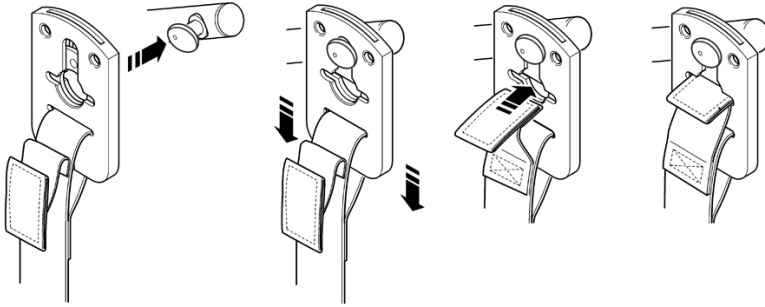
6-point spreader bar. Example of 6-point spreader bar sling with loop attachments.

The four point cradle sling attaches to the cradle studs via a safety clip system (shown below), each sling is supplied with instructions. Please study the instruction guide before use



4-point positioning cradle.

Example of 4-point cradle sling with safety clip system.



Securi3 sling attachment system. Example of installation.

NOTE: For detailed fitting instructions, please refer to the user guide supplied with each sling.

⚠ WARNING

Joerns Healthcare recommends that slings be checked regularly and particularly before use for signs of fraying or damage. **DO NOT** use slings that are worn or damaged.

⚠ WARNING

OXFORD RECOMMENDS THE USE OF GENUINE OXFORD PARTS. Oxford sling and lift products are designed to be compatible with one another. For country specific guidance on sling use and compatibility, please refer to the sling label or contact your local market distributor or Joerns Healthcare.

⚠ WARNING

Refer to maximum weight capacity of lift. Sling capacity is limited by the maximum capacity of the lift.

7. Removal of Spreader Bar/Cradle Systems

FOLLOW THESE INSTRUCTIONS EXACTLY

⚠ WARNING

If your Oxford Presence is fitted with an Integrated APC, please **DO NOT** attempt to remove it. The power cord will not allow effective removal and damage to the lift may occur.

Your Presence lift has the option of using both a 6-point spreader bar and 4-point positioning cradle. The removal of either of these systems is completed easily by the use of a quick-release pin. This is done quickly and easily, but you must read the following safety instructions to ensure the spreader bar/cradle is safely locked into position before use.

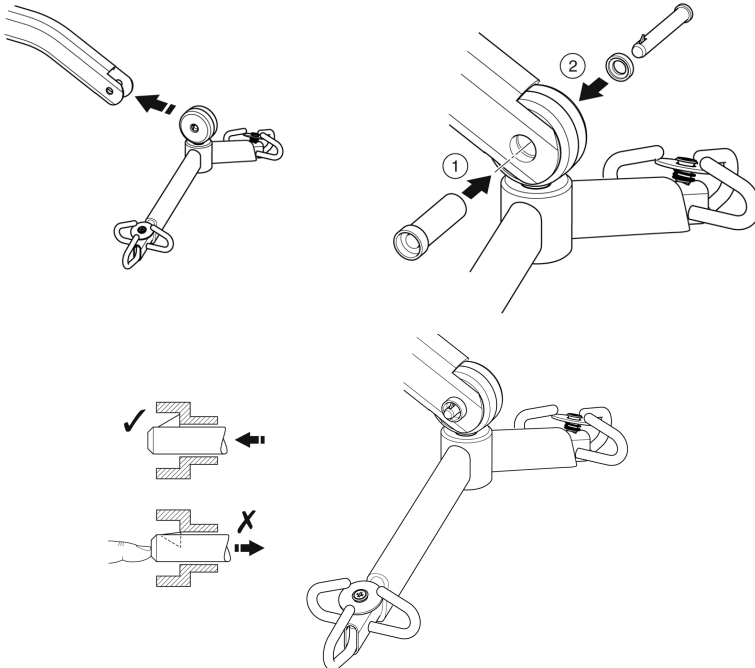
CONNECTION

To connect, raise the spreader bar/cradle up toward the boom aperture.

Insert the pin sleeve through the plastic end cap and to support the spreader bar/cradle.

Once aligned in the boom slot reinsert the quick release pin fully into the sleeve until it locks into position. **YOU MUST CHECK THAT THE PIN IS SECURELY FITTED.**

To do this, press your finger into the barbed end. If the pin remains stationary the lift is safe to use.



REMOVAL

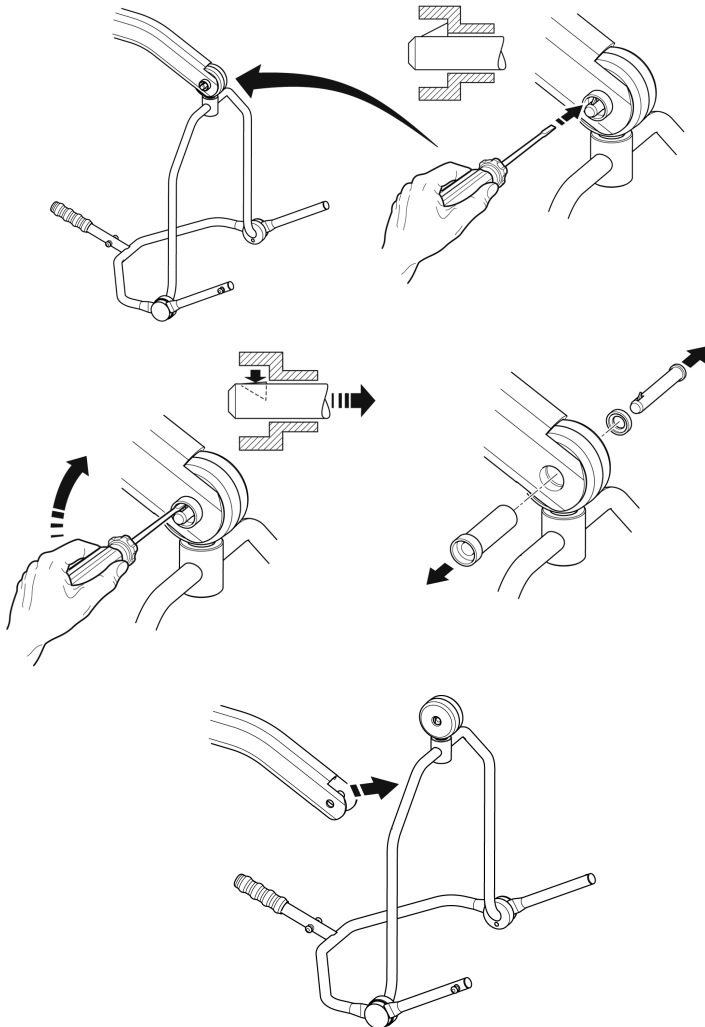
⚠ WARNING

If your Oxford Presence is fitted with an Integrated APC, please **DO NOT** attempt to remove it. The power cord will not allow effective removal and damage to the lift may occur.

CAUTION: Be sure to support the weight of the spreader bar/cradle before removing pin.

To detach pin, depress the spring barb (using a flat blade electrical screw driver or similar) and pull the pin out.

Support the spreader bar/cradle, and then pull the pin sleeve in the opposite direction, removing it completely from the boom. This will release the spreader bar completely.



8. Charging Instructions

When the power pack needs charging it is removed from the lift and fitted to an off board charging unit.

Joerns Healthcare recommend an additional battery pack is purchased, so that one pack can be on charge at all times.

1. Remove the power pack from the lift. The pack is retained by a simple latch at the top of the power pack. Lift the latch and the power pack will be released.
2. Fit the power pack to the charging unit. The location and latching of the power pack to the charger is the same system as used on the lift.
3. Plug the charger mains plug into a suitable mains outlet and switch the mains supply ON.
4. Charging is automatic and will fully charge the batteries over a period of four (4) hours.

Note: Even if the charger is left plugged in for extended periods it will not allow the batteries to overcharge.

- a) Green Light - Indicates main power is on.
- b) Yellow Light - Indicates battery is charging.
- c) Battery will be fully charged when yellow light goes off.

Note: It is recommended that the battery be charged immediately upon receipt.

5. To return the lift to service, switch OFF the mains supply and remove the power pack from the charger. Fit the power pack to the lift and make sure the latch holding the pack in place is fully engaged. "Click" in place. The charging of Oxford electric lifts is simple and straightforward, but it is important to follow the charging instructions closely. Please pay particular attention to the following points, they will help you avoid problems with discharged batteries.

WARNING

- **The battery, charger, hand control and control box are NOT to be opened by unauthorised personnel. (Contact your distributor for warranty and repairs).**
- **DO NOT touch battery/charger terminals.**
- **KEEP the batteries fully charged. Place the battery on charge whenever it is not in use. If it is more convenient to do so, place on charge every night. The charger will not allow the batteries to overcharge.**
- **NEVER run the batteries completely flat. As soon as the audible warning sounds, complete the lifting operation in hand and place on charge.**
- **To avoid possible permanent damage to the battery, the battery should be placed on charge as soon as the display indicates the half empty battery symbol.**
- **NEVER store the battery for long periods without regular charging throughout the storage period.**
- **ALWAYS make sure the mains power to the charger is switched off before connecting or disconnecting the battery pack.**
- **NEVER leave the battery pack connected with the charger mains power switched off.**
- **DO NOT leave the charger switched on with the battery disconnected.**
- **DO NOT use the lift while charging is taking place.**

- **CHECK** the lift is not charging before moving as the electrical connection may be damaged.
- **NEVER** disconnect the charger plug by pulling on the cable.
- **BE CAREFUL** not to trip over the charge lead.
- **DO NOT** charge an electric lift in a bathroom or shower room.

9. Maintenance Schedule

All Oxford products are designed for minimum maintenance, however some safety checks and procedures are required. A schedule of DAILY tasks are detailed below. Daily checks and a six monthly service, inspection and test will ensure a lift is kept in optimum safe working condition. A list of spare parts is available upon request.

The LOAD TEST and certification should only be carried out by qualified personnel or an authorised service agent / dealer.

DAILY CHECK LIST: Joerns Healthcare strongly recommends the following checks be carried out on a daily basis and before using lift.

- ENSURE the lift moves freely on its castors.
- MAKE SURE the 6-point spreader bar is free to rotate and swing
- EXAMINE & CHECK that the 6-point spreader bar is firmly attached to the boom.
- EXAMINE the sling hooks/clips on the 6-point spreader bar for damage and/or excessive wear.
- ENSURE the legs open and close correctly and lock in all open and closed positions.
- OPERATE the hand control to confirm the boom raises and lowers satisfactorily.
- OPERATE the hand control to confirm the integrated powered positioning cradle is operational (Model specific)
- ENSURE the control box display panel DOES NOT have a spanner symbol illuminated and no audible beep can be heard when depressing raise/lower buttons.
- CHECK the operation of the emergency stop button.
- EXAMINE slings for fraying or other damage. DO NOT use any sling if damaged or if the sling shows signs of wear.
- CONFIRM the lift is not sounding a low battery alarm when the hand control is operated. If the alarm sounds, DO NOT use, and place on charge immediately.
- MAKE sure the actuator connection points are secure.
- VISUALLY INSPECT all fixings and fasteners and ensure they are secure prior to use.

Maintenance, Inspection and Test

Joerns Healthcare recommend a thorough inspection and test of the Oxford Presence lift and lifting accessories, slings, scales etc is carried out on a regular basis. Inspection frequency varies depending on locality, so you must check with your dealer or local government agency as appropriate regarding how often an inspection is required. The examination and test should be conducted according to the recommendations and procedures provided in this manual. Joerns Healthcare recommends maintenance, inspection and certified testing is carried out by authorised service agent / dealers only.

NOTE: These recommendations are in compliance with the requirements of 1998 No2307 Health and Safety: The Lifting Operations and Lifting Equipment Regulations 1998. This is a UK regulation. Outside the UK please check your local country requirement.

Cleaning

Clean with ordinary soap and water and/or any hard surface disinfectant. Harsh chemical cleaners or abrasives should be avoided as these may damage the surface finish of the lift. Avoid wetting any of the electrical parts. After cleaning, the unit should be thoroughly dried.

End of Life Disposal

Battery: All batteries in the product and any accompanying accessories must be recycled separately. Batteries should be disposed of in accordance with local or national regulations.

Slings: Slings and associated material accessories should be sorted as combustible waste in accordance with local or national regulations.

***THESE CHECKS SHOULD INCLUDE:**

	Initially	Before Use	Service Intervals
1. SPREADER BAR: Check the spreader bar for freedom of rotation and swing. Check for wear on the central pivot. Check for firm attachment to the boom.	✓	✓	✓
2. BOOM: Check the attachment of the boom to the mast. Make sure there is only minimal side movement of the boom and the boom is free to rotate on the boom bearing.	✓	✓	✓
3. MAST: Check the operation of the mast-locking device. Make sure the mast fully engages into the socket. Check the bottom actuator.	✓	✓	✓
4. ACTUATOR: The actuator should require no maintenance other than checking for correct operation and listening for unusual noise.			✓
5. SMART MONITOR: Check the function of the emergency stop button. Inspect the hand control socket for correct fitting. Check functioning of the hand control. Check the redundant controls and confirm they operate as intended.	✓	✓	✓
6. BATTERIES: The batteries are housed in the power pack and should not require maintenance other than the regular charging as detailed in the charging instructions. Check that the connections remain clean.			✓
7. LEG ADJUSTMENT: Check the legs operate in both full extensions (inward/outward).	✓	✓	✓
8. CASTORS: Check all castors for firm attachment to the legs. Check for free rotation of the castor and the wheels.	✓	✓	✓
9. CLEANING: Clean with ordinary soap and water and/or any hard surface disinfectant. Harsh chemical cleaners or abrasives should be avoided as these may damage the surface finish of the lift. Avoid wetting any of the electrical parts. After cleaning, the unit should be thoroughly dried.		✓	✓
10. LOAD TEST: The load test should be carried out in accordance with the manufacturers test procedures. It is strongly recommended that an authorised service dealer carry out the test.			✓
11. BASE AND WHEELS: Ensure base is even and level (all four wheels are on the floor).	✓	✓	✓
12. SLINGS: Check for wear and fraying.	✓	✓	✓
13. LUBRICATION: Oil pivot joints, including mast and boom connections, pedal assembly, spreader bar joint (only if required).			✓
14. HAND SET: Ensure plugged fully into controller.	✓	✓	
15. QUICK RELEASE PIN: Ensure the pin is securely fitted before lifting, by pressing the barbed end.	✓	✓	
16. FIXINGS: Check all nuts, bolts, screws and fasteners for excessive wear and for tightness. Replace as required.			✓
17. INTEGRATED APC: (Model specific). Check the Integrated APC operates in both directions via the hand control. The actuator should require no maintenance other than checking for correct operation and listening for unusual noise.	✓	✓	✓

10. Technical Specifications

Safe Working Load	500 lbs.....	227 kgs
Maximum Overall Length	57.5 inches.....	1460 mm
Minimum Overall Length	55.1 inches.....	1400 mm
Maximum Overall Height.....	81.3 inches.....	2065 mm
Minimum Overall Height.....	57.5 inches.....	1460 mm
Spreader Bar Maximum Height	75.2 inches.....	1910 mm
Spreader Bar Minimum Height.....	16.9 inches.....	430 mm
Height at Maximum Reach.....	51.5 inches.....	1310 mm
Reach at Maximum Height.....	25.6 inches.....	650 mm
Reach at Minimum Height.....	15.7 inches.....	400 mm
Maximum Reach*	36.6 inches.....	930 mm
Turning Radius	64.2 inches.....	1630 mm
Legs Open - External Width	45.2 inches.....	1150 mm
Legs Open - Internal Width	40.1 inches.....	1020 mm
Legs Closed - External Width	26.4 inches.....	670 mm
Legs Closed - Internal Width	21.6 inches.....	550 mm
Overall Height of Legs.....	4.7 inches.....	120 mm
Ground Clearance	1.4 inches.....	35 mm
Front Twin Castors.....	4 inches.....	100 mm
Rear Braked Castors.....	4 inches.....	100 mm

* Reach = centre of spreader bar to the front of the mast

4-point Positioning Cradle (measurement to top of location pins)

Cradle Max. Height.....	61 inches.....	1550 mm
Cradle Min. Height (usable)	15.4 inches.....	390 mm

Weights

Mast, Base & Boom Assembly.....	81.4 lbs.....	37 kgs
(includes 2 point spreader bar)		
Mast, Base & Boom Assembly.....	101.4 lbs.....	46 kgs
(with Integrated APC)		
Power Pack	6.6 lbs.....	3 kgs
Total.....	88 lbs.....	40 kgs
Base Assembly (not inc battery)	44 lbs.....	20 kgs
Mast & Boom (not inc battery)	37.4 lbs.....	17 kgs
4-point Positioning Cradle	13.2 lbs.....	6 kgs

All measurements are within a +5/-5 degree of tolerance.

ELECTRICAL SPECIFICATIONS:

BATTERIES.....	24 volt Rechargeable sealed lead acid type
BATTERY CAPACITY.....	3.2 Ampere hours
CHARGER RATED INPUT	100 - 240 V AC/ 50/60 Hz
CHARGER RATED OUTPUT	29.5 VDC, Max. 19 W

ELECTRIC SHOCK PROTECTION

CHARGER.....	CLASS II (EN 60601-1)
LIFT.....	INTERNAL POWER SOURCE

DEGREE OF SHOCK PROTECTION

CHARGER.....	TYPE B (EN 60601-1)
LIFT.....	TYPE B (EN 60601-1)

ENVIRONMENTAL CONDITIONS:

Outside this environment functionality and safety may be compromised.

OPERATING:

TEMPERATURE.....	5°C to 40°C
RELATIVE HUMIDITY.....	20% to 90% @ 30°C - not condensing
ATMOSPHERIC PRESSURE.....	700 to 1060 hPa

STORAGE:

TEMPERATURE.....	-10°C to +50°C
RELATIVE HUMIDITY.....	20% to 90% @ 30°C - not condensing
ATMOSPHERIC PRESSURE.....	700 to 1060 hPa

IP RATINGS

CONTROL BOX.....	IPX4
ACTUATOR.....	IPX4
OFF BOARD CHARGER	IPX5
BATTERY	IPX5
HANDSET	IPX5

DUTY CYCLES

ACTUATOR.....	10% (2 min./18 min.)
CHARGER.....	Approx. 4 hrs.

ACOUSTICS

A-Weighted sound power level	60 dB (A)
------------------------------------	-----------

KEY SYMBOLS:

The following symbols are used on the charger, control unit and battery:



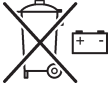
This product is a Medical Device in accordance with EU Medical Device Regulation 2017/745.



Type B equipment, as per EN 60601-1.



Class 2 equipment.



The disposal of batteries should not be mixed with general household waste. Batteries should be disposed of in accordance with local or national regulations.



The disposal of electronics should not be mixed with general household waste.



For indoor use.



ATTENTION, consult accompanying documents.



Refer to the user instructions before use (Blue background).



Certification mark indicating conformity with the applicable requirements for products sold within Great Britain.



A point of contact between the non-European medical device manufacturer, the national Competent Authorities (Ministry of Health) and Notified Bodies.



A unique device identification intended to provide single, globally harmonised positive identification of medical devices through distribution and use.



Indicates the entity importing the medical device into the locale.

11. Warranty

Joerns Healthcare has an established network of authorised distributors and service agents who will be pleased to handle all of your purchasing, warranty, repair and maintenance enquiries. It is recommended that our products are commissioned by your authorised distributor or service agent.

The distributor or service agent operates the warranty programme, so it is important to keep a record of their name, address and telephone number so they can be contacted should any problem arise. If you are in any doubt as to where your lift was purchased, Joerns Healthcare can trace the supplier if you quote the serial number of the lift.

All warranty claims are subject to the correct use and maintenance in accordance with the user instruction manual provided with each lift. Damage caused by use in unsuitable environmental conditions or failure to maintain the product in accordance with user and service instructions is not covered. Your statutory rights remain unaffected.

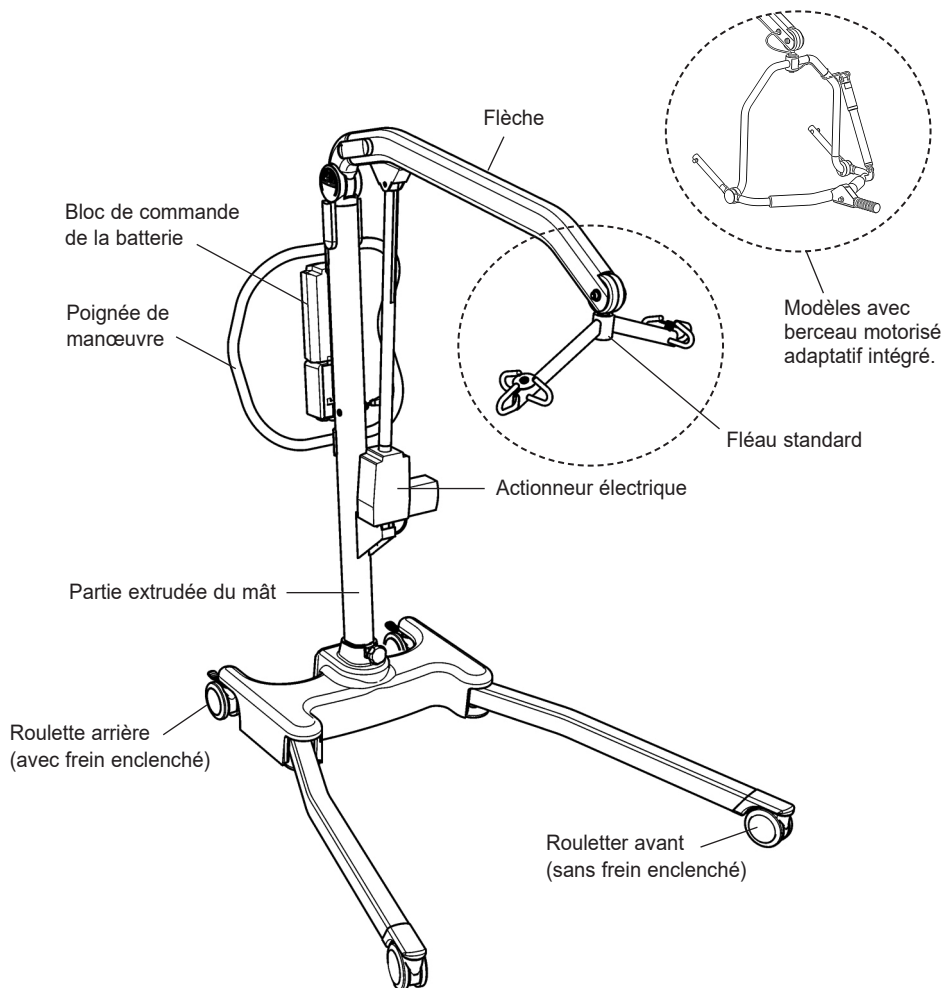
REMEMBER: Contact your authorised distributor or service agent for purchases, repairs, servicing and certified maintenance.

Your distributor:

Table des matières

1. Lève-personne Oxford Presence	33
2. Introduction: À propos de votre lève-personne	34
3. Instructions de montage et de mise en service	35
4. Consignes de sécurité.....	41
5. Moniteur Smart de commande manuelle	43
6. Instructions de fonctionnement	48
7. Dépose des systèmes de barres d'écartement / chassis à 4-points de fixation.....	52
8. Instructions de charge.....	54
9. Périodicité d'entretien et liste des vérifications quotidiennes.....	56
10. Spécifications techniques.....	59
11. Garantie.....	62

1. Lève-personne Oxford Presence



** Le berceau motorisé adaptatif intégré ne peut pas être installé ultérieurement sur les modèles Presence standard. Il est impératif de le sélectionner au moment de la commande. Il est également possible de commander séparément un berceau motorisé adaptatif extérieur en option.*

2. Introduction: À propos de votre lève-personne

Chaque lève-personne Presence est entièrement monté, soumis à un essai de charge et certifié avant d'être emballé / expédié.

L'emballage se compose d'une boîte en carton robuste construite spécialement pour les expéditions domestiques et les exportations et garantissant l'arrivée de l'appareil intact à destination. L'emballage de chaque lève-personne comprend une pochette contenant un certain nombre de documents qui doivent être conservés en lieu sûr au cas où ils devraient être consultés ultérieurement.

- CERTIFICAT D'ESSAI
- MANUEL D'UTILISATION
- LISTE DE VERIFICATIONS D'EMBALLAGE

Le CERTIFICAT D'ESSAI est un document important qui doit être conservé dans votre dossier assurance. Il est valide pendant six mois et, après son expiration, le lève-personne doit être inspecté et entretenu selon le calendrier d'entretien.

⚠ AVERTISSEMENT

Avant chaque utilisation du lève-personne, référez-vous à la liste des vérifications quotidiennes fournie dans le manuel.

Marque CE: L'appareil Oxford Presence porte la marque CE et il est conforme aux directives CE suivantes



- Medical Device Directive 2017/745
- Directive EMC 2014/30/EU
- Directive relative aux basses tensions 2014/35/EU

Declaración de uso al que está destinado

El uso previsto para este dispositivo es la elevación y transferencia seguras de un individuo de una superficie de descanso a otra (como de una cama a una silla de ruedas, por ejemplo). Joerns Healthcare recomienda que la transferencia de pacientes se lleve a cabo posteriormente a una evaluación de riesgos, y de manera segura, en una breve distancia solamente.

L'Oxford Presence est un lève-personne électrique, conçu pour soutenir et promouvoir la sécurité de la manipulation et du transport du patient pour le personnel soignant et le patient lui-même.

Le lève-personne Oxford Presence comporte un écarteur à 6 points d'ancrage d'ordinaire et est conçu pour être utilisé conjointement avec les harnais de la gamme d'Oxford. Un berceau à 4 points d'ancrage est disponible en option en tant qu'accessoire après-vente.

Le lève-personne Oxford Presence se décline en 2 modèles : l'un équipé d'un fléau standard à 6 points et l'autre d'un berceau motorisé adaptatif intégré à 4 points. Le lève-personne Oxford Presence équipé d'un fléau standard à 6 points est également compatible avec les options du berceau à 4 points proposées en tant qu'accessoires après-vente. Toutes les configurations ont été conçues pour être utilisées avec les harnais Oxford. Les exemples de sangles compatibles avec ce matériel sont énumérés ci-dessous :

- Oxford Quickfit
- Oxford Access
- Oxford Quickfit Deluxe
- Oxford Full Back
- Oxford Comfort
- Oxford Silkfit
- Oxford Long Seat

⚠ AVERTISSEMENT

Les lève-personnes Oxford doivent être manipulés exclusivement par du personnel soignant formé/compétent.

Durée de vie prévue

Les lève-personnes Oxford Professional sont conçus et testés pour une durée de vie minimum de dix (10) ans, si les consignes d'utilisation et d'entretien énoncées dans le présent manuel sont respectées. Toute utilisation non conforme aux consignes peut compromettre la durée de vie du matériel.

Signalement d'un incident grave

Tout incident survenant durant l'utilisation de ce produit et ayant des conséquences pour le patient et/ou le professionnel de santé doit être porté à la connaissance du fabricant du produit ou du distributeur agréé. Si l'incident se produit au sein de l'Union européenne (UE), il doit également être signalé aux autorités compétentes de l'État membre.

3. Instructions de montage et de mise en service

Placez la boîte sur une surface bien dégagée et ouvrez-la avec précaution. Elle contient:

- LÈVE-PERSONNE OXFORD PRESENCE
- UNE POCHETTE CONTENANT DES DOCUMENTS
- UNE COMMANDE MANUELLE
- BLOC BATTERIE
- FIL DE CHARGE
- CHARGEUR / SUPPORT POUR BUREAU

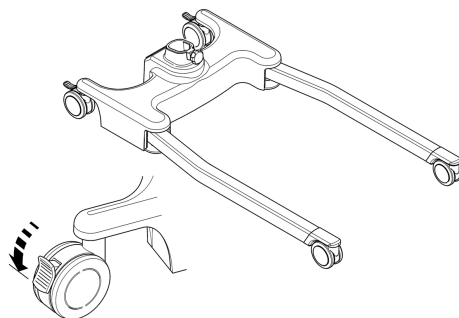
⚠ AVERTISSEMENT

L'appareil Oxford Presence est lourd et doit être soulevé avec précaution. Vous aurez éventuellement besoin d'aide pour soulever l'appareil Oxford Presence et le sortir de sa boîte.

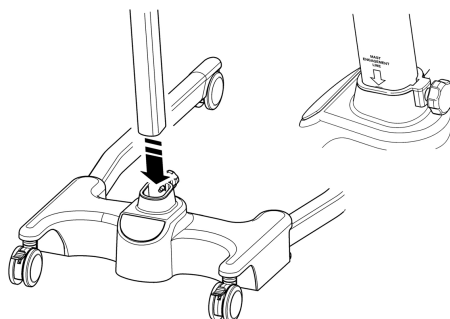
Instructions de Montage

1. Retirez toutes les pièces de la boîte et placez-les par terre, en prenant soin de protéger le fini.

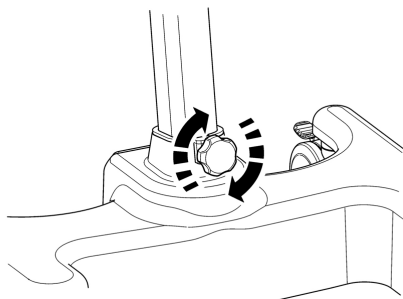
Placez le châssis dans un endroit dégagé et enclenchez les freins arrière.



2. Enfoncez le mât et la flèche dans la douille du châssis.



3. Resserrez le mât à l'aide du dispositif de verrouillage du mât situé devant le châssis.

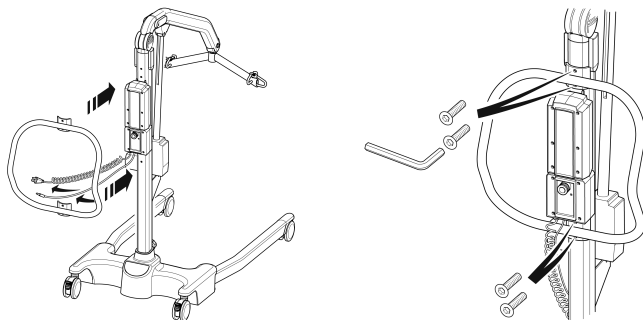


⚠ AVERTISSEMENT

Évitez de coincer vos doigts. Lorsque vous insérez le mât dans la fente, gardez vos doigts à l'écart de l'extrémité du mât. L'enclenchement complet du mât est indiqué par l'étiquette située sur son côté. Le pied électrique ne fonctionnera pas si le mât n'est pas totalement enclenché.

4. Faites tourner le bouton de verrouillage jusqu'à ce qu'il soit légèrement serré.
5. Alignez la poignée avec l'arrière du mât et fixez-la à l'aide des attaches fournies. Les attaches et la clé nécessaires à la fixation de la poignée se trouvent dans la poche du manuel d'utilisation.

REMARQUE: Avant de fixer la poignée au mât, vérifiez que tous les fils traînants se trouvent à l'extérieur de la poignée



6. Remplacez le bloc d'alimentation sur le lève-personne et vérifiez que la bride le maintenant est totalement enclenchée. Enclenchez le bloc.

DÉMONTAGE

Le lève-personne ne doit être démonté que pour être réparé, entretenu ou transporté. Par conséquent, suivez les instructions de montage dans l'ordre inverse.

Montage initial du berceau motorisé adaptatif intégré

SUIVEZ CES INSTRUCTIONS À LA LETTRE

Avant toute utilisation, le berceau motorisé adaptatif intégré doit être monté au lève-personne et raccordé électriquement par une personne compétente. Le berceau motorisé adaptatif intégré se fixe au bras à l'aide de la goupille à libération rapide du lève-personne Presence standard et des raccords électriques prévus à l'intérieur du bras.

RACCORDEMENT

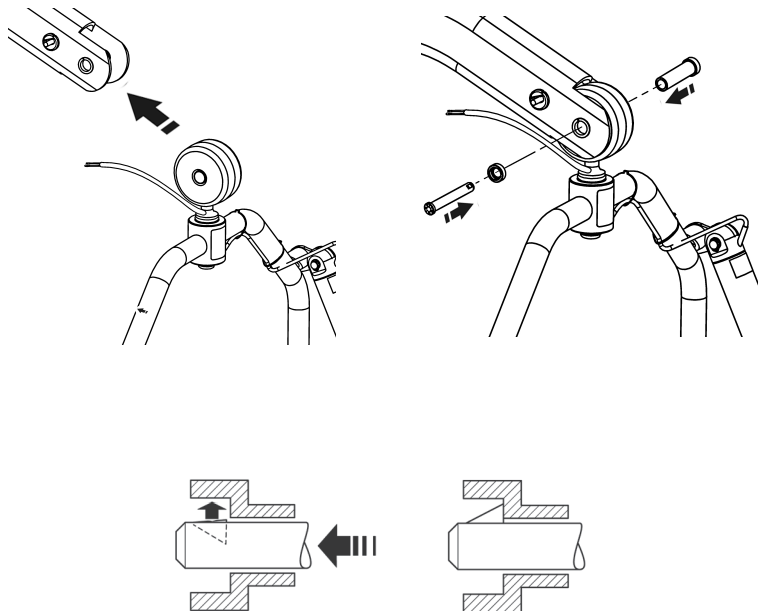
Pour raccorder le berceau:

Levez le berceau motorisé adaptatif intégré vers l'ouverture du bras.

Insérez la gaine de la goupille à travers l'embout en plastique afin de soutenir le berceau motorisé adaptatif intégré.

Alignez les trous dans l'ouverture du bras, puis enfoncez complètement la goupille à libération rapide dans la gaine jusqu'à ce qu'elle soit bien enclenchée. VÉRIFIEZ QUE LA GOUPILLE EST BIEN EN PLACE.

Pour le vérifier, appuyez avec votre doigt sur l'extrémité biseautée. Si la goupille reste en place, vous pouvez utiliser le lève-personne en toute sécurité.



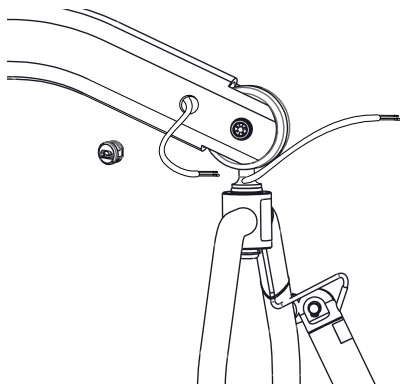
RACCORDEMENT

Raccordement électrique :

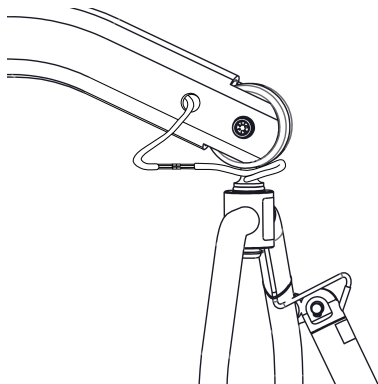
Vérifiez que la batterie est débranchée et que le boîtier de commande est éteint.

1. Sortez le tire-câble du bras à l'aide d'un petit tournevis à tête plate.
Acheminez les extrémités des fils à travers les orifices latéraux du bras.
2. Connectez les bornes des extrémités des fils aux bornes des extrémités des fils du berceau motorisé adaptatif intégré.
3. Passez le tire-câble autour du câble à 150 mm du point par lequel le câble entre dans la goupille de raccordement du berceau.
4. Acheminez toute longueur de câble résiduelle, y compris les bornes, à travers l'orifice et le bras.
5. Remplacez le tire-câble à l'intérieur de l'orifice du bras. Enfoncez-le à fond.
6. Vérifiez qu'il reste 150 mm de longueur de câble libre entre le bras et le berceau motorisé adaptatif intégré.

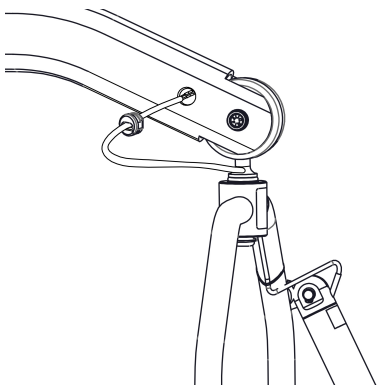
1



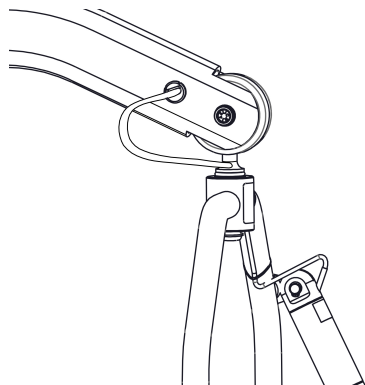
2



3

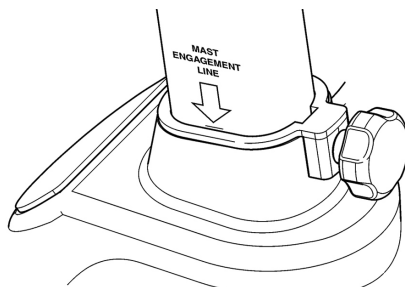


5

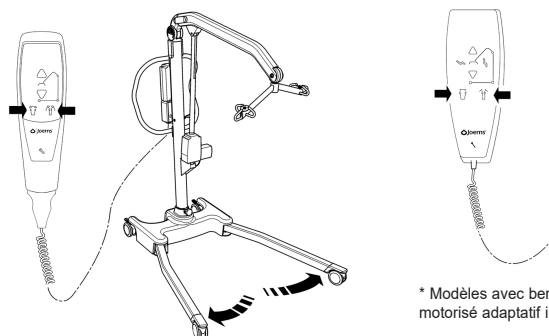


EFFECTUEZ TOUJOURS LES VÉRIFICATIONS SUIVANTES AVANT D'UTILISER L'APPAREIL:

- Le mât est complètement verrouillé en position

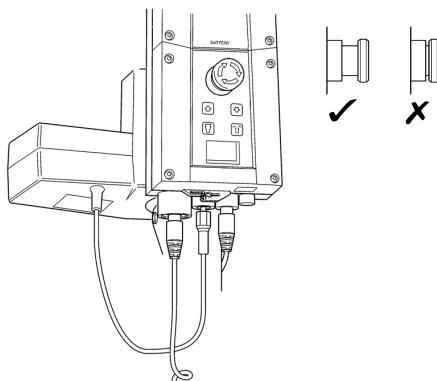


- Les pieds du lève-personne s'ouvrent et se referment de façon satisfaisante (Pour cela, utilisez la commande manuelle).

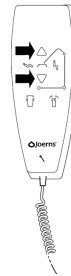
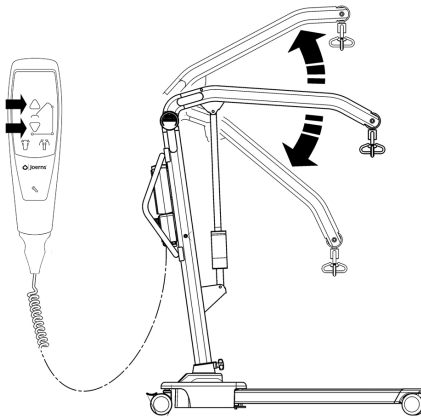


* Modèles avec berceau motorisé adaptatif intégré.

- Le bouton rouge d'arrêt d'urgence, situé à l'arrière du boîtier de commande, est en position OFF (arrêt).

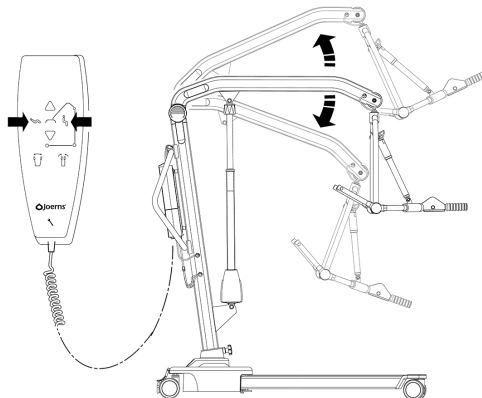


- Appuyez sur les boutons « up » (vers le haut) et « down » (vers le bas) de la commande manuelle pour confirmer que la flèche se lève et s'abaisse.



* Modèles avec berceau motorisé adaptatif intégré..

- Pour les modèles équipés du berceau motorisé adaptatif intégré, enfoncez le bouton représenté par la personne en position assise sur la commande manuelle, et vérifiez que le berceau se repositionne en conséquence.



4. Consignes de sécurité

Veillez lire et suivre les consignes de sécurité ci-dessous. Le fonctionnement et l'utilisation des lève-personnes Oxford sont simples et clairs. Si vous suivez ces quelques consignes de sécurité fondamentales, vous serez en mesure d'utiliser ce lève-personne facilement et sans problèmes.

AVANT D'UTILISER VOTRE LÈVE-PERSONNE « PRESENCE », LISEZ LES INSTRUCTIONS DU MANUEL D'UTILISATION ET VEILLEZ À BIEN LES COMPRENDRE

AVERTISSEMENT: Consigne de sécurité importante sur un danger pouvant entraîner des blessures graves.

ATTENTION: Consigne de précaution pour éviter d'endommager le produit.

REMARQUE: Informations auxquelles il convient de prêter une attention particulière.

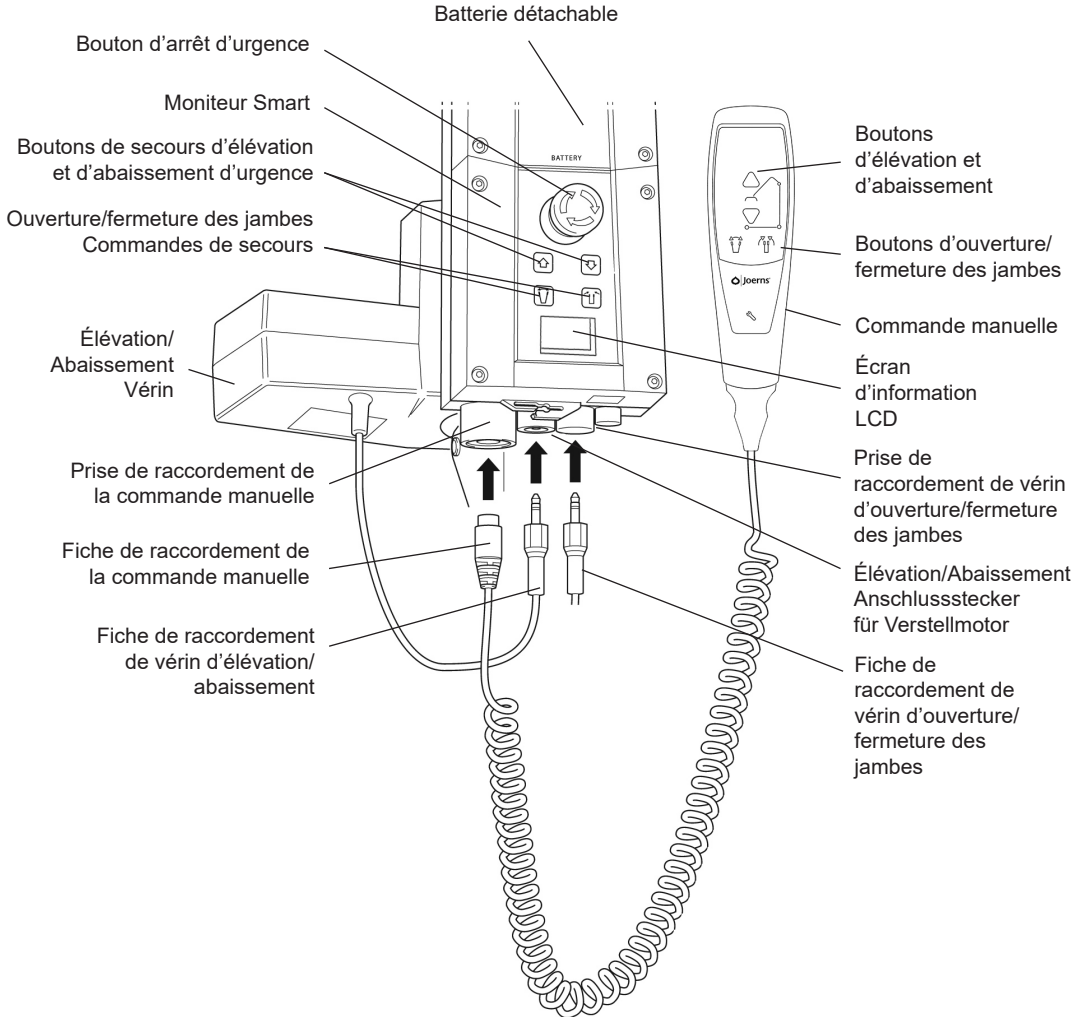
AVERTISSEMENT

- Les lève-personnes Oxford doivent être manipulés exclusivement par du personnel soignant formé/compétent.
- Planifiez **TOUJOURS** vos opérations de levage avant de commencer.
- Effectuez **TOUJOURS** les **VÉRIFICATIONS QUOTIDIENNES** (Ultérieurement dans le présent manuel) avant d'utiliser le lève-personne.
- Familiarisez-vous **TOUJOURS** avec les commandes de fonctionnement et les dispositifs de sécurité d'un lève-personne avant de soulever un patient.
- **N'UTILISEZ PAS** de courroie, à moins que cela ne soit recommandé.
- Vérifiez **TOUJOURS** que la courroie convient au patient et qu'elle est de taille et de capacité appropriées.
- N'utilisez **JAMAIS** une courroie effilochée ou montrant des signes de détérioration.
- Ajustez **TOUJOURS** la courroie suivant les instructions fournies (consignes d'utilisation).
- Vérifiez **TOUJOURS** que la charge maximale d'utilisation du lève-personne est compatible avec le poids du patient.
- Effectuez **TOUJOURS** le levage suivant les instructions du manuel d'utilisation.
- Ne débranchez ni ne contournez **JAMAIS** une commande ou un dispositif de sécurité sous prétexte que cela semble plus facile pour utiliser le lève-personne.
- **NE SOULEVEZ PAS** un patient si les freins des roulettes sont serrés. Laissez toujours le lève-personne trouver le centre de gravité correct.
- **N'ESSAYEZ PAS** de manœuvrer le lève-personne en poussant le mât, la flèche ou le patient.
- Manœuvrez **TOUJOURS** le lève-personne à l'aide de la poignée fournie.
- Amenez **TOUJOURS** le patient à la position la plus basse et la plus confortable avant un transfert.
- **NE PUSSEZ PAS** un lève-personne chargé à des vitesses dépassant une allure de marche lente (3 kilomètres / heure, soit 0,8 mètres / seconde).

- **NE déplacez PAS** le lève-personne sur un terrain inégal ou accidenté, surtout si le lève-personne est chargé.
- **N’ESSAYEZ PAS**, si les roulettes ne peuvent pas surmonter un obstacle au sol, de pousser / tirer un lève-personne chargé.
- **NE FORCEZ JAMAIS** une commande de fonctionnement / de sécurité. Toutes les commandes sont faciles à utiliser et ne nécessitent pas une force excessive.
- La charge **MINIMALE** requise pour abaisser manuellement le lève-personne à l'aide de la fonction d'abaissement mécanique d'urgence est de 30 kg.
- **NE RANGEZ** un lève-personne chargé sur **AUCUNE** surface inclinée.
- **N’UTILISEZ PAS** les lève-personnes électriques dans la douche.
- **NE CHARGEZ PAS** un lève-personne électrique dans une salle de bains ou une salle de douche.
- **NE SOULEVEZ PAS** un patient si vous n’avez ni l’expérience ni la compétence.
- **VOTRE** lève-personne est prévu pour soulever des patients. **NE L’UTILISEZ PAS**, et n’autorisez personne à s’en servir à d’autres fins.
- **NE HEURTEZ PAS** le lève-personnes en descendant des marches, qu’il soit chargé ou non.
- **N’ESSAYEZ PAS** de déplacer un lève-personne chargé sur une pente de plus de 1:12 (environ 5 degrés).
- **N’ESSAYEZ PAS** de monter ou de descendre une côte sans une autre personne à vos côtés.
- Vérifiez **TOUJOURS**, avant de bouger, que le lève-personne ne charge pas, car la connexion électrique peut être endommagée.

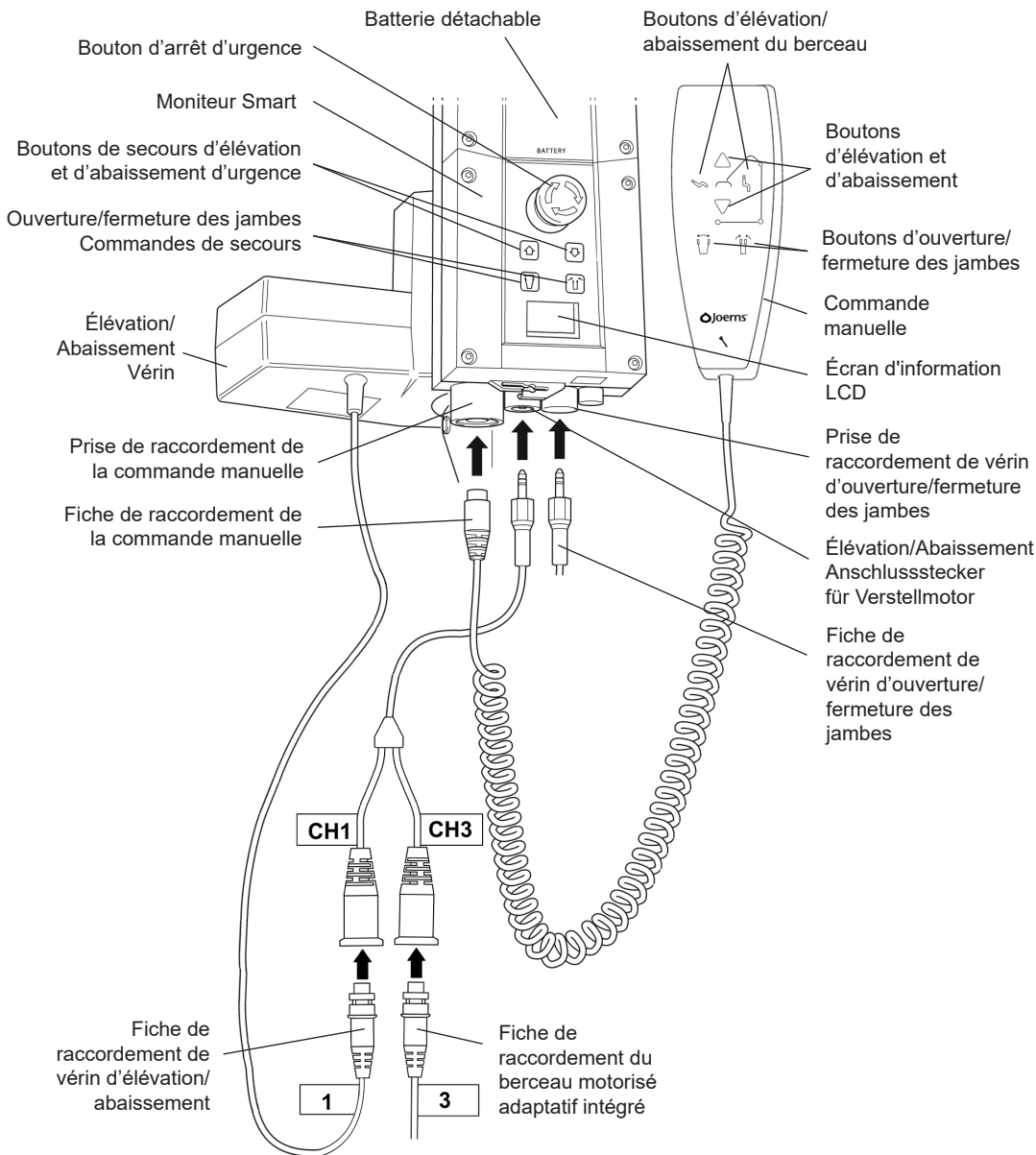
5. Moniteur Smart et commande manuelle

Modèle Presence standard



Modèle Presence équipé d'un berceau motorisé adaptatif intégré

Sur les modèles avec berceau motorisé adaptatif intégré, la commande manuelle et le vérin se raccorde de la façon suivante :



Utilisation prévue

Le moniteur Oxford Smart est un système de commande prévu pour les lève-personnes Oxford Mobile. Le moniteur Smart enregistre de précieuses données de service relatives à l'utilisation du lève-personne, lesquelles peuvent être consultées à tout moment, notamment:

- Nombre de cycles de levage des patients
- Charge de travail totale réalisée par le vérin
- Nombre de levages effectués en surcharge (tentatives de levage avec une charge supérieure à la charge maximale autorisée)
- Nombre de jours écoulés depuis le dernier entretien

Le moniteur Oxford Smart contient un microprocesseur qui permet de lire les données de service sur l'écran d'affichage LCD embarqué.

Caractéristiques

- Collecte des données dans la boîte de commande et affichage des données sur l'écran LCD
- Compteur d'opérations
- Compteur de cycles intelligent
- Indicateur d'entretien
- Indicateur d'intervalle entre 2 entretiens
- Informations sur l'utilisation en surcharge
- Indicateur de batterie à 3 témoins




Avantages

- Sécurité renforcée pour le patient et l'assistant
- Données de service précises sur simple activation d'un bouton
- Durée de vie prolongée du produit
- Simplicité d'entretien pour les ingénieurs et les techniciens

Écran d'affichage LCD

Le moniteur Oxford Smart permet l'affichage d'informations sur l'écran LCD. Il peut, par exemple, afficher le nombre total de cycles de levage, la charge de travail totale effectuée, les surcharges et le nombre de jours écoulés depuis le dernier entretien. Ces informations permettent de rapidement évaluer l'état du vérin du lève-personne.

Pour afficher ces informations, appuyez une demi-seconde sur le bouton 'HAUT' de la commande manuelle ou sur le bouton de secours 'HAUT' du moniteur Smart.

	12034	Total des cycles de levage
A*S	1257000	Total de la charge de travail effectuée (Ampères * Secondes)
	7	Nombre de surcharges
	90/180	Nombre de jours (depuis le dernier entretien) / Nombre de jours (entre deux entretiens)

Information sur l'entretien et l'utilisation



Quand arrive le moment de faire faire l'entretien, le symbole Service s'affiche à l'écran. De plus, lorsque la commande manuelle est activée, le moniteur Smart émet un signal sonore pour attirer l'attention de l'utilisateur sur le fait que l'entretien arrive à échéance.

Le symbole Service s'affichera à l'écran à chaque fois que les touches d'élévation ou d'abaissement sont actionnées sur la commande manuelle. Lorsque le symbole Service s'affiche, contactez immédiatement votre service d'entretien agréé pour prendre rendez-vous.

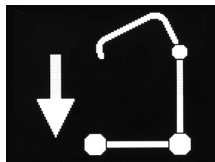


Si le lève-personne s'arrête en raison d'une surcharge (la charge à lever est supérieure à la charge maximale autorisée), le symbole de surcharge s'affiche sur l'écran LCD et le fonctionnement du lève-personne est interrompu jusqu'à ce que l'excès de charge ait été supprimé.

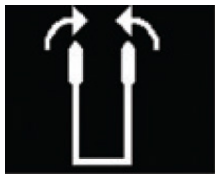
⚠ AVERTISSEMENT

Après la détection de surcharge par le lève-personne, Joerns Healthcare recommande d'effectuer **TOUTES** les vérifications de routine avant de réutiliser l'appareil (vous trouverez la liste des vérifications quotidiennes dans le manuel d'utilisation fourni avec le lève-personne). Joerns Healthcare vous recommande également de contacter votre service d'entretien agréé.

Commandes de secours embarquées

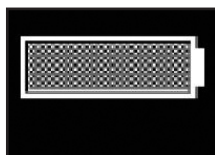


Les commandes de secours embarquées permettent de lever ou d'abaisser le lève-personne en situation d'urgence.



Si votre lève-personne comprend une fonction de positionnement des jambes intégrée, les commandes de fermeture et ouverture des jambes seront inutiles.

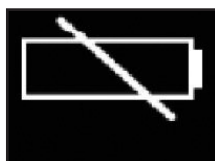
Niveau de batterie



Le symbole de la batterie pleine indique que la batterie est à pleine capacité et le lève-personne est prêt à l'emploi.



Le symbole de la batterie à moitié pleine indique qu'il est nécessaire de recharger la batterie.



Le symbole de la batterie vide indique que la batterie est complètement déchargée et doit être mise en charge immédiatement.

⚠ AVERTISSEMENT

Pour éviter tout endommagement irréversible de la batterie, il convient de mettre celle-ci en charge dès que l'écran affiche le symbole de la batterie à moitié pleine.

6. Instructions de fonctionnement

⚠ AVERTISSEMENT

Les lève-personnes Oxford doivent être manipulés exclusivement par du personnel soignant formé/compétent.

1. Réglage des pieds

La largeur des pieds de l'appareil Oxford Presence est réglable. Les pieds peuvent être ouverts pour faciliter l'accès autour des fauteuils ou des chaises roulantes. Pour permettre les transferts et le passage par des portes et des endroits exigus, les pieds du lève-personne doivent être en position fermée.

Le réglage des pieds électriques - est accompli en appuyant sur certains boutons de la commande manuelle. Les pieds se bloquent lorsque l'interrupteur de la commande manuelle est relâché.

2. Roulettes et freinage

Le lève-personne comporte deux roulettes à frein, qui permettent d'immobiliser l'appareil. Durant le levage, les roulettes doivent rester libres et ne pas être bloquées. Le lève-personne peut ainsi se diriger vers son centre de gravité. Si les freins sont enclenchés, le patient peut basculer vers le centre de gravité, ce qui peut s'avérer déconcertant et inconfortable.

3. Levage et abaissement de la flèche (modèles électriques)

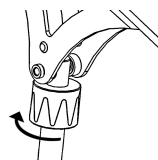
Le mouvement de la flèche est transmis par un puissant actionneur électrique, qui est lui-même contrôlé par une simple unité de commande manuelle. La commande manuelle est munie de deux boutons sur lesquels se trouvent les flèches UP (vers le haut) et DOWN (vers le bas). L'actionneur s'arrête automatiquement en fin de course dans les deux sens. La commande manuelle se branche sur une prise située à la base du boîtier de commande. Un crochet situé à l'arrière de la commande manuelle permet de la « garer » sur le mât ou la flèche lorsqu'elle n'est pas en usage.

4. Repositionnement du berceau motorisé adaptatif intégré (certains modèles uniquement)

Pour les modèles avec berceau motorisé adaptatif intégré, le vérin électrique peut être réglé avec la commande manuelle. La commande électrique possède deux boutons représentant une personne assise à deux degrés d'inclinaison différents. Utilisez ces boutons pour actionner le berceau. Le vérin s'arrête automatiquement dès qu'il a atteint sa limite de déplacement dans l'une ou l'autre direction. Le berceau s'immobilise dès que vous relâchez le bouton de la commande manuelle.

5. Arrêt d'urgence

Le bouton rouge d'arrêt d'urgence, situé à l'arrière du boîtier de commande, est activé lorsqu'on appuie dessus. Cela coupe l'alimentation du lève-personne, laquelle n'est rétablie que lorsque le bouton est tourné dans le sens antihoraire, puis relâché.



6. Commandes de secours

Tous les lève-personnes Oxford sont équipés de boutons d'élévation et d'abaissement sur le boîtier de commande. Ils sont situés sous le bouton d'arrêt d'urgence et peuvent servir à élever / abaisser le patient en cas de panne de la commande manuelle.

7. Abaissement mécanique d'urgence

En cas de panne totale d'alimentation, le vérin électrique est doté d'un dispositif d'abaissement mécanique à ressort (RED BOSS). Celui-ci ne fonctionne que lorsque le lève-personne est chargé. Pour actionner le dispositif, tournez-le à la main et relâchez-le. Le bras se met à descendre lentement. Répétez jusqu'à ce que le patient soit complètement redescendu.

⚠ AVERTISSEMENT

En cas d'utilisation de cette fonctionnalité, il est IMPÉRATIF de faire contrôler par la suite le lève-personne par un technicien compétent.

8. Batteries

Les batteries sont protégées contre les décharges poussées par une ALARME DE BASSE TENSION. Celle-ci retentit lorsque les batteries doivent être rechargées et que la commande manuelle est en usage. Elle ne retentit pas si la commande manuelle n'est pas en usage. NE NÉGLIGEZ PAS CETTE ALARME. Achevez le levage et mettez l'appareil sous charge (voir instructions de charge).

9. Courroies

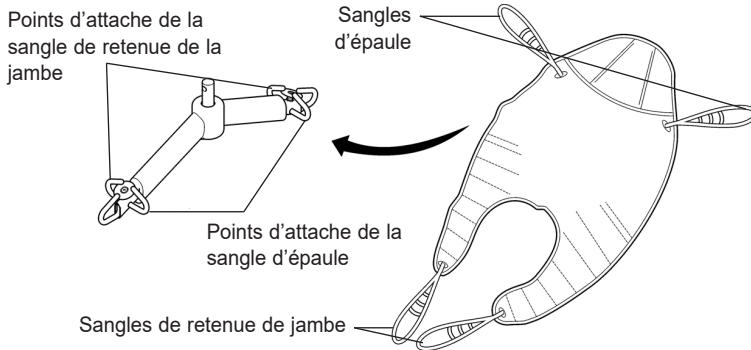
L'appareil Oxford Presence peut être équipé d'une barre d'écartement à six points ou d'une chassie à quatre points de fixation. Les deux systèmes utilisent des méthodes de fixation et des courroies différentes.

Le système à six points utilise des courroies dotées de boucles sanglées de couleurs différentes, permettant de régler le positionnement. Le système à quatre points utilise le système d'attaches sécuritaires Secri3 et se règle en faisant pivoter la chassie à quatre points monter ou descendre.

Courroies à sangles à boucles: Oxford Quickfit, Full Back, Quickfit Deluxe, Long Seat, Access et Silkfit

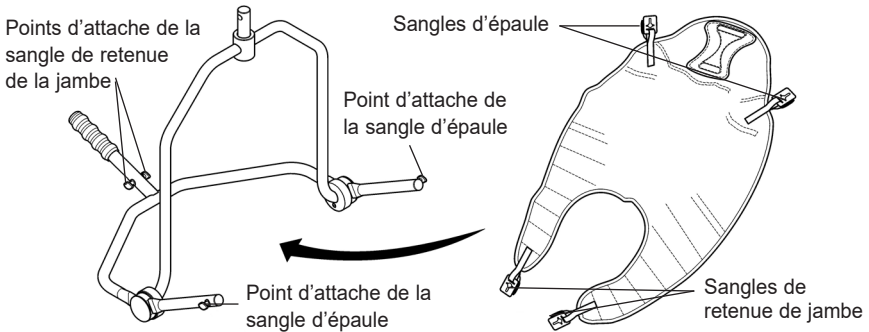
Courroies dotées d'attaches sécuritaires: Oxford Comfort

Le système à deux points s'attache aux crochets de la barre d'écartement à l'aide de sangles à boucles (illustrées ci-dessous). Chaque courroie est fournie avec des instructions. Veuillez lire le guide d'instructions avant toute utilisation.

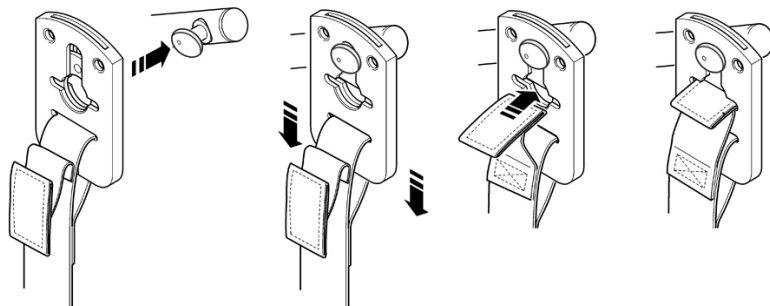


Barre d'écartement à 6-points; Exemple d'une courroie pour barre d'écartement à six points munie d'attaches en boucle.

La courroie pour le système à quatre points s'attache aux crochets de la chassiss à l'aide de sangles à boucles (illustrées ci-dessous). Chaque courroie est fournie avec des instructions. Veuillez lire le guide d'instructions avant toute utilisation.



Chassis à 4-points de fixation; Exemple d'une courroie pour chassis à 4-points dotée d'attaches sécuritaires.



Système de fixation à sangle Securi3. Exemple d'installation.

REMARQUE: Pour toute instruction détaillée sur la mise en place, reportez-vous au guide d'utilisation fourni avec chaque courroie.

⚠ AVERTISSEMENT

Joerns Healthcare vous conseille de vérifier, régulièrement et avant toute utilisation, que vos courroies ne sont ni effilochées, ni endommagées. N'utilisez JAMAIS une courroie usagée ou endommagée.

⚠ AVERTISSEMENT

OXFORD RECOMMANDE L'UTILISATION DE PIÈCES OXFORD AUTHENTIQUES. Les produits de sangle et de levage Oxford sont conçus pour être compatibles ensemble. Pour les directives spécifiques à votre pays au sujet de l'utilisation d'élingues et de leur compatibilité, veuillez lire l'étiquette de l'élingue ou contacter votre revendeur local ou Joerns Healthcare.

⚠ AVERTISSEMENT

Respectez la charge maximale du lève-personne. La charge de la courroie est limitée par la charge maximale du lève-personne.

7. Dépose des systèmes de barres d'écartement/ chassis à 4-points de fixation

⚠ AVERTISSEMENT

Si votre lève-personne Oxford Presence est doté d'un berceau motorisé adaptatif intégré, **N'ESSAYEZ PAS** de le retirer. Le cordon d'alimentation n'est pas prévu pour être retiré. Vous pourriez endommager le lève-personne.

SUIVEZ CES INSTRUCTIONS À LA LETTRE

Votre lève-personne Presence a l'option d'un système d'écartement à 6-points ou chassis à 4-points. Le retrait d'une de ces systèmes s'effectue facilement à l'aide d'une broche à déblocage rapide. Cette opération est rapide et facile, mais il est nécessaire de lire les consignes de sécurité suivantes afin de vous assurer que la barre d'écartement/chassis est verrouillée en place et en sécurité avant utilisation.

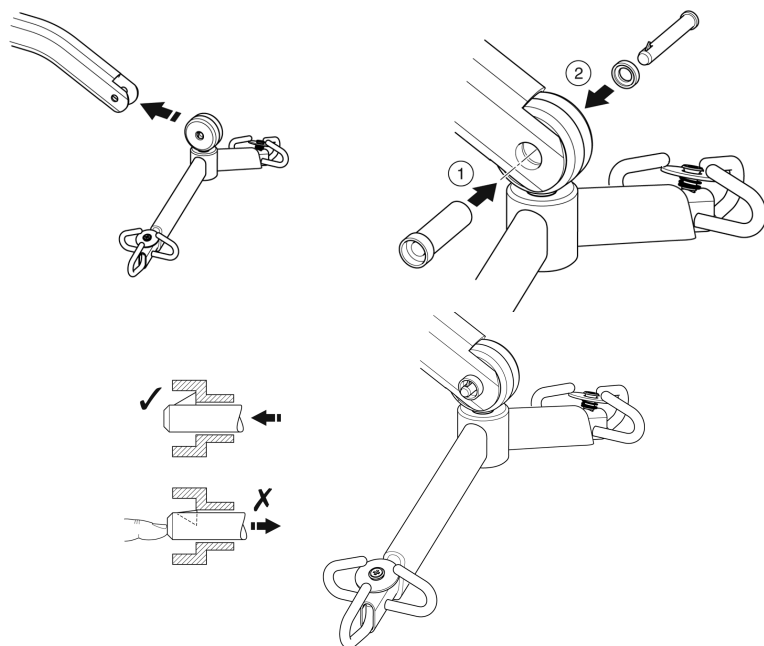
CONNEXION

Pour connecter, remontez le fléau/berceau à hauteur de l'ouverture du bras.

Introduisez le manchon de la broche dans le capuchon en plastique pour soutenir la barre d'écartement/chassis.

Une fois l'alignement sur l'encoche de la flèche obtenu, réintroduisez la broche à déblocage rapide dans le manchon jusqu'à ce qu'elle se verrouille en place. **VÉRIFIEZ QUE LA BROCHE EST CORRECTEMENT ENCLENCHÉE**

Pour cela, appuyez sur l'extrémité cannelée avec le doigt. Si la broche reste immobile, le lève personne peut être utilisé en sécurité.



DÉPOSE

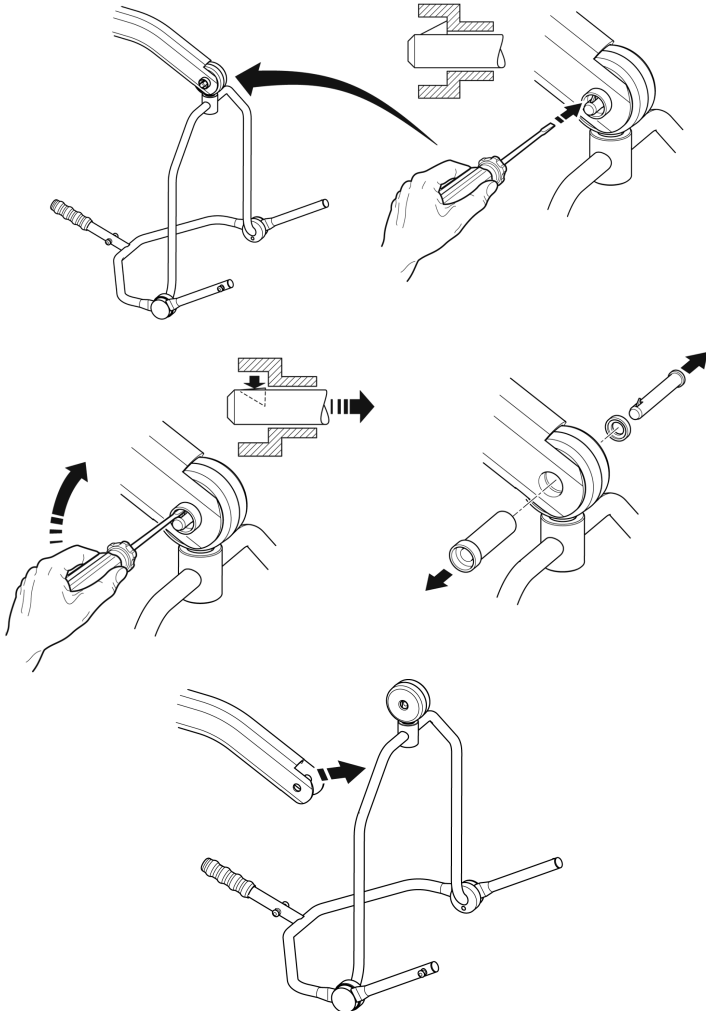
⚠ AVERTISSEMENT

Si votre lève-personne Oxford Presence est doté d'un berceau motorisé adaptatif intégré, **N'ESSAYEZ PAS** de le retirer. Le cordon d'alimentation n'est pas prévu pour être retiré. Vous pourriez endommager le lève-personne.

ATTENTION: Vérifiez que le poids de la barre est correctement/chassis supporté avant de retirer la goupille.

Pour détacher la broche, appuyez sur la languette de ressort (à l'aide d'un tournevis plat ou un outil similaire) et extrayez la broche.

Soutenez la barre d'écartement/chassis et tirez le manchon de la broche dans le sens opposé, en le retirant complètement de la flèche. Ceci libère complètement la barre d'écartement.



8. Instructions de charge

Lorsque le bloc d'alimentation doit être rechargé, retirez-le du lève-personne et branchez-le sur le chargeur autonome.

Joerns Healthcare Ltd recommande l'achat d'un bloc batterie supplémentaire, afin qu'un bloc soit toujours chargé.

1. Retirez le bloc d'alimentation du lève-personne. Il est retenu par une simple bride située sur le dessus. Soulevez la bride et le bloc est dégagé.
2. Placez le bloc d'alimentation dans le chargeur. L'emplacement et la fixation du bloc d'alimentation sur le chargeur sont assurés par le même système que celui utilisé sur le lève-personne.
3. Branchez le fil / le cordon du chargeur sur une prise de courant appropriée et ACTIVEZ l'alimentation principale.
4. Les batteries se chargent complètement et automatiquement sur une période de huit à douze heures.

Remarque : Même si le chargeur reste branché pendant très longtemps, cela n'entraînera pas la « surcharge » des batteries.

- a) Voyant vert - Indique que l'appareil est sous tension.
- b) Voyant jaune - Indique que la batterie est en cours de recharge.
- c) La batterie est complètement rechargée une fois que le voyant jaune s'est éteint.

Remarque : La charge de la batterie prend 4 heures.
Il est conseillé de charger la batterie dès réception.

5. Pour remettre le lève-personne en service, COUPEZ l'alimentation principale et retirez le bloc d'alimentation du chargeur. Remplacez le bloc d'alimentation sur le lève-personne et vérifiez que la bride le maintenant est totalement enclenchée. Enclenchez le bloc. Le chargement des lève-personnes électriques Oxford est simple et clair, mais vous devez absolument suivre les instructions à la lettre. Prêtez une attention toute particulière aux points suivants, vous éviterez ainsi de vous retrouver avec des batteries déchargées.

AVERTISSEMENT

- La batterie, le chargeur, la commande manuelle et la boîte de commande NE doivent PAS être ouverts par du personnel non autorisé. (Contactez votre distributeur pour toute information sur la garantie et les réparations).
- NE touchez PAS les bornes de la batterie/du chargeur.
- VEILLEZ à ce que les batteries restent en permanence complètement chargées. Pendant les périodes de non-utilisation du lève-personne, mettez la batterie en charge. Vous pouvez également mettre la batterie en charge la nuit. Le chargeur interrompt automatiquement la recharge dès que les batteries sont pleines. Il n'y a pas de risque de surcharge
- NE laissez JAMAIS les batteries se décharger complètement. Dès que l'avertisseur sonore retentit, terminez le levage en cours, puis mettez-les batteries en charge.
- Pour éviter tout endommagement irréversible de la batterie, il convient de mettre celle-ci en charge dès que l'écran affiche le symbole de la batterie à moitié pleine.

- **N'entreposez JAMAIS** la batterie pendant une longue période sans le recharger régulièrement.
- **Veillez à TOUJOURS** mettre le chargeur hors tension avant de brancher ou de débrancher le bloc d'alimentation.
- **Ne laissez JAMAIS** le bloc d'alimentation branché au chargeur si ce dernier est hors tension.
- **NE LAISSEZ PAS** le chargeur sous tension si la batterie est débranchée.
- **N'UTILISEZ PAS** le lève-personne pendant qu'il est en charge.
- **VÉRIFIEZ** que le lève-personne n'est pas en charge avant de le déplacer afin d'éviter tout endommagement électrique.
- **NE DÉBRANCHEZ JAMAIS** le chargeur en tirant sur le câble.
- **VEILLEZ** à ne pas trébucher sur le câble du chargeur.
- **NE RECHARGEZ PAS** un lève-personne électrique dans une salle de bains ou une salle d'eau.

9. Périodicité d'entretien et liste des vérifications quotidiennes

Tous les produits Oxford sont conçus de manière à ne nécessiter qu'un entretien minimal; toutefois, certaines vérifications et procédures de sécurité sont nécessaires. Un tableau des tâches QUOTIDIENNES est présenté ci-après. Des vérifications quotidiennes et un entretien, une inspection et un essai semestriel garantissent que le lève-personne fonctionne parfaitement. Une liste de pièces détachées est disponible sur demande.

L'ESSAI DE CHARGE et la certification doivent être effectués par du personnel qualifié ou un agent / concessionnaire d'entretien autorisé.

LISTE DES VÉRIFICATIONS QUOTIDIENNES: Joerns Healthcare vous conseille vivement d'effectuer les vérifications suivantes chaque jour et avant d'utiliser le lève-personne.

- VÉRIFIEZ que le lève-personne se déplace librement sur ses roulettes.
- ASSUREZ-VOUS que la barre d'écartement tourne et pivote facilement. Vérifiez qu'elle est bien fixée sur la flèche.
- RECHERCHEZ les signes d'usure sur les crochets des courroies de la barre d'écartement et sur les dispositifs de suspension latéraux. Dans le doute, ne les utilisez pas.
- INSPECTEZ les courroies afin de déceler tout éventuel signe d'effilochage ou d'usure. N'UTILISEZ PAS de courroie endommagée.
- ASSUREZ-VOUS que les pieds s'ouvrent et se referment correctement.
- VÉRIFIEZ que les pieds s'ouvrent et se ferment correctement et se verrouillent en position ouverte et fermée.
- UTILISER la commande manuelle pour confirmer que le berceau de positionnement motorisé intégré est opérationnel (spécifique au modèle)
- VÉRIFIEZ que l'icône de la clé anglaise sur l'écran d'affichage de la boîte de commande n'est pas allumée et qu'aucun bip sonore n'est émis lorsque vous actionnez les boutons élever / abaisser.
- ASSUREZ-VOUS que l'alarme de batterie faible ne se déclenche par lorsque la commande manuelle est actionnée (lève-personne électrique uniquement). Si l'alarme retentit, N'UTILISEZ PAS l'appareil et mettez-le sous charge immédiatement.
- Les appareils électriques ACTIVÉS permettent de vérifier le fonctionnement du bouton d'arrêt d'urgence.
- INSPECTEZ VISUELLEMENT toutes les fixations et vérifiez qu'elles sont bien serrées avant utilisation.

Entretien, Inspection Et Essais

Joerns Healthcare recommande d'effectuer régulièrement une inspection et des essais poussés du lève-personne Oxford Presence et des accessoires, courroies, etc. La fréquence des inspections varie selon l'endroit. Veuillez vous renseigner auprès de votre revendeur et / ou d'un organisme gouvernemental local sur la périodicité requise des inspections. Les examens et les essais doivent être effectués suivant les recommandations et les procédures énoncées dans le présent manuel. Dans la mesure du possible, Joerns Healthcare recommande que l'entretien, les inspections et les essais certifiés soient effectués uniquement par un agent d'entretien ou un revendeur agréé.

REMARQUE: Ces recommandations sont conformes aux normes d'Hygiène et de Sécurité N° 2307 de 1998. Réglementations sur les opérations et l'équipement de levage 1998. Il s'agit d'une réglementation du Royaume-Uni. En dehors du Royaume-Uni, veuillez vous renseigner sur les règlements de votre pays.

Nettoyage

Nettoyez au savon ordinaire et à l'eau et /ou avec un désinfectant pour surfaces dures. Les produits de nettoyage chimiques corrosifs ou les abrasifs doivent être évités, car ils peuvent endommager le fini du lève-personne. Évitez de mouiller les pièces électriques. Après le nettoyage, l'appareil doit être soigneusement séché.

Mise au rebut en fin de vie

Batterie : Les batteries présentes dans le produit et tout accessoire connexe doivent être recyclés séparément. Les batteries doivent être éliminées conformément aux réglementations locales et nationales en vigueur.

Sangles : Les sangles et accessoires connexes doivent être éliminés avec les déchets combustibles conformément aux réglementations locales et nationales en vigueur.

***CES VÉRIFICATIONS DOIVENT PORTER SUR:**

	Initialement	Avant utilisation	Service Intervalle d'entretien
1. BARRE D'ÉCARTEMENT: Vérifiez que la barre d'écartement tourne et pivote librement. Vérifiez l'absence d'usure sur le pivot central. Assurez-vous qu'elle est solidement fixée sur la flèche.	✓	✓	✓
2. FLÈCHE: Vérifiez que la flèche est fixée sur le mât. Assurez-vous que le mouvement latéral de la flèche est minimal et qu'elle tourne librement sur son roulement.	✓	✓	✓
3. MÂT: Vérifiez le fonctionnement du dispositif de verrouillage du mât. Assurez-vous que le mât s'engage entièrement dans la douille. Vérifiez le l'actionneur du bas.	✓	✓	✓
4. ACTIONNEUR: Hormis la vérification du bon fonctionnement et la recherche de bruits inhabituels, l'actionneur ne nécessite en principe aucun entretien.			✓
5. MONITEUR SMART : Vérifiez le bon fonctionnement du bouton d'arrêt d'urgence. Vérifiez le branchement de la prise de la commande manuelle. Vérifiez le fonctionnement de la commande manuelle. Vérifiez que les commandes de secours fonctionnent correctement.	✓	✓	✓
6. BATTERIES: Les batteries sont logées dans le bloc d'alimentation et, à l'exception de recharges régulières effectuées conformément aux instructions de charge, elles ne nécessitent en principe aucun entretien. Vérifiez la propreté des connexions.			✓
7. RÉGLAGE DES PIEDS: Vérifiez que les pieds s'étendent complètement (vers l'intérieur / l'extérieur).	✓	✓	✓
8. ROULETTES: Vérifiez que toutes les roulettes sont solidement fixées sur les pieds. Vérifiez que les roulettes et les roues tournent librement.	✓	✓	✓
9. NETTOYAGE: Nettoyez au savon ordinaire et à l'eau et /ou avec un désinfectant pour surfaces dures. Les produits de nettoyage chimiques corrosifs ou les abrasifs doivent être évités, car ils peuvent endommager la fini du lève-personne. Évitez de mouiller les pièces électriques. Après le nettoyage, l'appareil doit être soigneusement séché.		✓	✓
10. ESSAI DE CHARGE: L'essai de charge doit être réalisé selon les exigences et procédures d'essai énoncées par le fabricant. Il est vivement recommandé de faire appel à un service agréé pour la réalisation de l'essai.			✓
11. BASE ET ROUES: Assurez-vous que la base est régulière et nivelée (les quatre roues reposent sur le sol).	✓	✓	✓
12. COURROIES: Vérifiez l'absence d'usure et d'effilochage.	✓	✓	✓
13. LUBRIFICATION: Huilez les joints pivotants, y compris les pièces reliant le mât et la flèche, l'ensemble de la pédale, la barre d'écartement et le joint (seulement si nécessaire).			✓
14. COMBINÉ: Vérifiez qu'il est totalement branché dans le contrôleur.	✓	✓	
15. GOUPILLE À DÉVERROUILLAGE RAPIDE: Vérifiez que la goupille est bien insérée avant de soulever en appuyant sur l'extrémité crantée.	✓	✓	

	Initialement	Avant utilisation	Service Inter-valles d'entretien
16. FIXATIONS: Vérifiez que les écrous, boulons, vis et fixations ne présentent pas de signe d'usure et sont correctement serrés. Remplacez-les si nécessaire.			✓
17. BERCEAU MOTORISÉ ADAPTATIF INTÉGRÉ (SELON LES MODÈLES) À l'aide de la commande manuelle, vérifiez que le berceau motorisé adaptatif intégré fonctionne dans les deux sens. Le vérin ne nécessite normalement aucun entretien, si ce n'est de vérifier son bon fonctionnement et de s'assurer qu'il ne produit aucun bruit inhabituel.	✓	✓	✓

10. Spécifications techniques

Charge maximale d'utilisation	500 lbs	227 kgs
Longueur maximale hors tout.....	57,5 pouces	1460 mm
Longueur minimale hors tout.....	55,1 pouces	1400 mm
Hauteur maximale hors tout.....	81,3 pouces	2065 mm
Hauteur minimale hors tout	57,5 pouces	1460 mm
Hauteur maximale de la barre d'écartement..	75,2 pouces	1910 mm
Hauteur minimale de la barre d'écartement...	16,9 pouces	430 mm
Hauteur à portée maximale.....	51,5 pouces	1310 mm
Portée à hauteur maximale	25,6 pouces	650 mm
Portée à hauteur minimale	15,7 pouces	400 mm
Portée maximale	36,6 pouces	930 mm
Rayon de braquage.....	64,2 pouces	1630 mm
Pieds ouverts - Largeur externe.....	45,2 pouces	1150 mm
Pieds ouverts - Largeur interne.....	40,1 pouces	1020 mm
Pieds fermés - Largeur externe.....	26,4 pouces	670 mm
Pieds fermés - Largeur interne.....	21,6 pouces	550 mm
Hauteur des pieds, hors tout.....	4,7 pouces	120 mm
Garde au sol.....	1,4 pouces	35 mm
Roulettes jumelées avant.....	4 pouces	100 mm
Roulettes arrière à freins.....	4 pouces	100 mm

*Portée = distance entre le centre de la barre d'écartement et l'avant du mât

Berceau à positionnement en 4-points (mesure en haut des goujons de placement)

Hauteur maximum du berceau.....	61 pouces	1550 mm
Hauteur minimum du berceau (utile).....	15,4 pouces	390 mm

Poids

Ensemble mât, base et flèche.....	81,4 lbs	37 kgs
(comprend la barre d'écartement à positionnement en 2 points)		
Ensemble mât, base et flèche.....	101.4s lbs.....	46 kgs
(Avec berceau motorisé adaptatif intégré)		
Bloc d'alimentation	6,6 lbs	3 kgs
Total.....	88 lbs	40 kgs
Base (sans la batterie).....	44 lbs	20 kgs
Mât et flèche (sans la batterie).....	37,4 lbs	17 kgs
Berceau à positionnement en 4-points.....	13,2 lbs	6 kg

Toutes les mesures sont indiquées avec une tolérance de +5 / -5.

SPÉCIFICATIONS ÉLECTRIQUES

BATTERIES	12 volts, type plomb-acide, scellées rechargeables
CAPACITÉ DES BATTERIES	3,2 A / h
VALEURS NOMINALES D'ENTRÉE DU CHARGEUR	230 Vca, 50 / 60 Hz
VALEURS NOMINALES DE SORTIE DU CHARGEUR.....	27,4 / 29,0 Vcc à 0,8 A

Protection Contre les Décharges Électriques

CHARGEUR.....	CLASSE II
LÈVE-PERSONNE.....	SOURCE D'ALIMENTATION INTERNE

Degré de Protection Contre les Décharges

CHARGEUR.....	TYPE B
LÈVE-PERSONNE.....	TYPE B

ENVIRONNEMENT DE

FONCTIONNEMENT PRÉVU >+5° <+40°.

En dehors de ce type d'environnement, le fonctionnement et la sécurité de l'appareil peuvent être compromis.

CONDITIONS ENVIRONNEMENTALES

En dehors de ce type d'environnement le fonctionnement et la sécurité de l'appareil peuvent être compromis.

FONCTIONNEMENT :

TEMPÉRATURE	5°C à 40°C
HUMIDITÉ RELATIVE.....	20% à 90% @ 30°C - sans condensation
PRESSION ATMOSPHÉRIQUE.....	700 à 1060 hPa

ENTREPOSAGE :

TEMPÉRATURE	-10°C à +50°C
HUMIDITÉ RELATIVE.....	20% à 90% @ 30°C - sans condensation
PRESSION ATMOSPHÉRIQUE.....	700 à 1060 hPa

PROTECTION D'ENTRÉE

BOÎTIER DE COMMANDE	IPX4
ACTIONNEUR	IPX4
CHARGEUR NON TRANSPORTÉ	IPX5
BATTERIE	IPX5
COMBINÉ	IPX5

CYCLES DE SERVICE

ACTIONNEUR	10% (2 min./18 min.)
CHARGEUR	Environ 4 heures

ACOUSTIQUE

Niveau sonore pondéré A	60 dB (A)
-------------------------------	-----------

PRINCIPAUX SYMBOLES :

Vous trouverez les symboles suivants sur le chargeur, l'unité de commande et la batterie :



Ce produit est un dispositif médical conforme à la directive relative aux dispositifs médicaux 2017/745.



Equipement de type B, conformément à EN 60601-1



Equipement de Classe 2



Ne pas jeter la batterie avec les déchets ménagers. Les batteries doivent être éliminées conformément aux réglementations locales et nationales en vigueur.



Ne pas jeter les composants électroniques avec les déchets ménagers.



Utilisation à l'intérieur



ATTENTION, consultez les documents fournis.



Se référer aux instructions d'utilisation avant utilisation (Fond bleu).



Marque de certification indiquant la conformité aux exigences en vigueur pour les produits vendus en Grande Bretagne.



Point de contact entre le fabricant de dispositifs médicaux établi en dehors de l'Europe, les autorités nationales compétentes (ministère de la Santé) et les organismes notifiés.



Identification unique et harmonisée à l'échelle mondiale des dispositifs médicaux commercialisés et utilisés.



Indique l'entité chargée de l'importation du dispositif médical.

11. Garantie

Joerns Healthcare possède un réseau d'agents de service et de distributeurs agréés qui se feront un plaisir de répondre à vos questions relatives à l'achat, la garantie, la réparation et l'entretien de votre matériel. Nous vous recommandons de confier la mise en service de nos produits à votre agent de service ou distributeur agréé.

Le programme de garantie est assuré par votre distributeur ou l'agent de service, il est donc important de conserver soigneusement ses coordonnées (nom, adresse et numéro de téléphone) afin de pouvoir le contacter en cas de problème. An cas de doute sur le lieu d'achat de votre lève-personne, Joerns Healthcare est en mesure d'identifier votre fournisseur à partir du numéro de série du lève-personne.

Toutes les réclamations au titre de la garantie sont conditionnées à l'usage et à l'entretien corrects et conformes au manuel d'utilisation livré avec chaque appareil. Tout endommagement résultant d'une utilisation dans des conditions inadaptées ou du non-respect des consignes d'entretien et d'utilisation n'est pas couvert pas la garantie. La garantie ne porte pas atteinte à vos droits légaux.

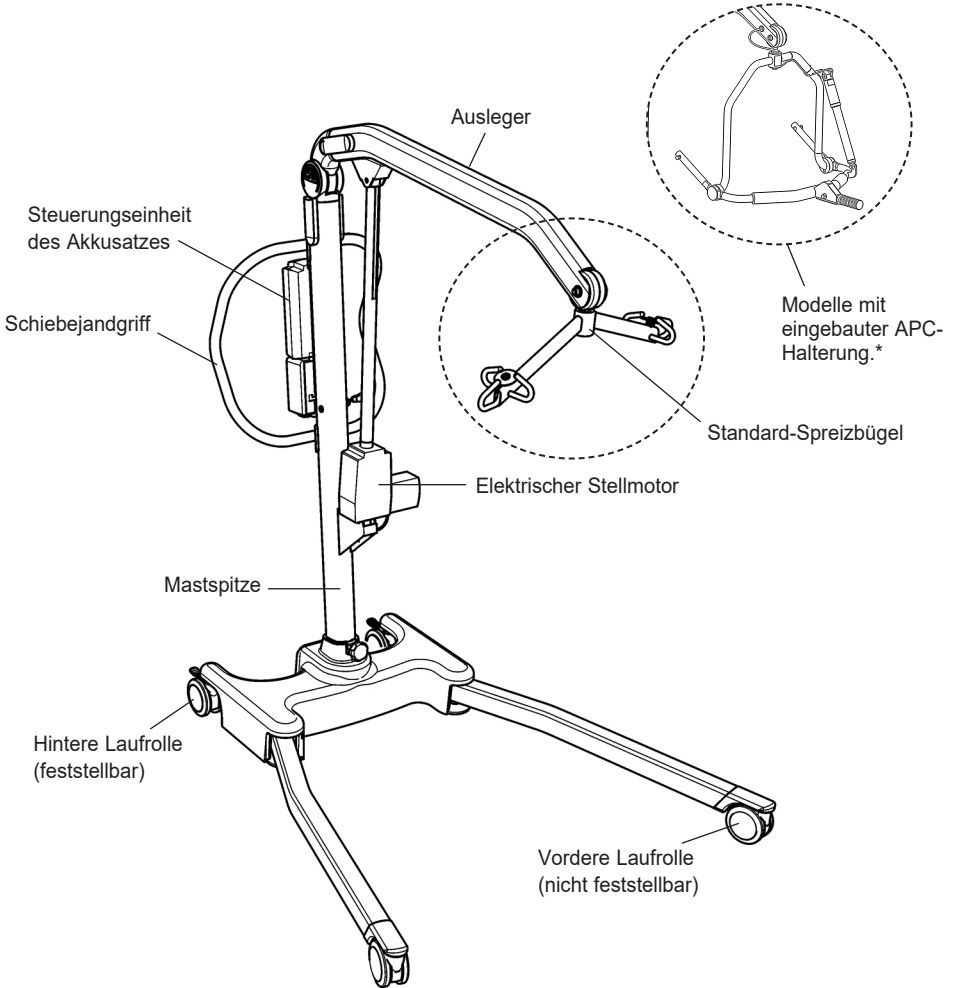
N'OUBLIEZ PAS: Contactez votre agent de service ou distributeur agréé pour vos achats, réparations, entretiens et maintenances certifiées.

Votre distributeur:

Inhalt

1. Oxford Presence Patientenlifter	65
2. Einführung: Über Den Lifter	66
3. Montage und Inbetriebnahme	67
4. Sicherheitshinweise.....	73
5. Smart Monitor und Handbedienung	75
6. Betriebshinweise	80
7. Entfernen der Sechspunkt-Spreizbügelssysteme und Vierpunkt-Rahmensystem	83
8. Aufladen der Akkueinheit	85
9. Wartungsplan und Tägliche Prüfliste	87
10. Technische Daten	90
11. Garantie.....	93

1. Oxford Presence Patientenlifter



* Die Standardausführung der Presence-Modelle können nicht mit der eingebauten APC-Halterung nachgerüstet werden. Diese Funktion muss bei der Bestellung angegeben werden. Als Alternative ist eine optionale APC-Halterung mit eigener Stromversorgung erhältlich, die separat bestellt werden kann.

2. Einführung: Über Den Lifter

Der Presence-Lifter wird vor der Auslieferung vollständig montiert, unter Last getestet und zertifiziert. Die Verpackung besteht aus einem festen, zweckmäßig geformten Versandkarton für den sicheren Transport des Lifters und wird sowohl für den heimischen Markt als auch für den Export verwendet. Mit jedem Lifter werden die zugehörigen Dokumente in einer beiliegenden Tasche geliefert, die für die spätere Verwendung sicher aufbewahrt werden müssen.

- PRÜFZERTIFIKAT
- BENUTZERHANDBUCH
- PACKPRÜFLISTE

Das PRÜFZERTIFIKAT ist ein wichtiges Dokument und sollte für Referenzzwecke aufbewahrt werden. Für die ordnungsgemäße Wartung Ihres Lifters befolgen Sie bitte den Wartungsplan, der in diesem Dokument enthalten ist. Wenn Sie unsicher sind, welche Wartungsanforderungen für Ihren lokalen Markt gelten, erkundigen Sie sich bei Ihrem Händler und/oder bei der zuständigen Behörde.

⚠️ WARNUNG

Vor dem täglichen Gebrauchs Ihres Patientenlifters müssen die in der täglichen Checkliste in dieser Anleitung aufgeführten Überprüfungen durchgeführt werden.

Das CE-Zeichen: Der Oxford Presence trägt das CE-Zeichen und erfüllt die folgenden EU-Richtlinien:



- Richtlinie über Medizinprodukte 2017/745
- EMC-Verordnung 2014/30/EU
- Niederspannungsrichtlinie 2014/35/EU

Sachgemäße Anwendung des Lifters

Die bestimmungsgemäße Verwendung dieser Hebevorrichtung ist das sichere Heben und Umlagern einer Person von einer Ruhefläche zu einer anderen (wie etwa von einem Bett in einen Rollstuhl). Joerns Healthcare empfiehlt, für die Umlagerung von Patienten eine vollständige Risikoanalyse durchzuführen und nur über kurze Entfernung umzulagern.

Der Oxford Presence ist für Patienten in SITZENDER, SITZENDER/LIEGENDER und LIEGENDER Position geeignet.

Der Oxford Presence ist ein elektrischer Patientenlifter und ist dafür ausgelegt, die sichere Handhabung und das sichere Umlagern von Patienten sowohl für den Patienten als auch für die Pflegeperson zu unterstützen und zu fördern.

Der Oxford Presence Patientenlifter ist in zwei Ausführungen erhältlich: eine ist mit einem standardmäßigen 6-Punkt-Spreizbügel und die andere mit einer eingebauten APC-Halterung (4-Punkt) ausgestattet. Der Oxford Presence Patientenlifter, der mit dem 6-Punkt-Spreizbügel ausgestattet ist, ist auch mit den optionalen 4-Punkt-Halterungen kompatibel, die als Zubehör erhältlich sind. Alle Konfigurationen sind für die Verwendung mit Oxford Gurten ausgelegt. Beispiele für Gurte, die für dieses Gerät geeignet sind, werden wie folgt angegeben:

- Oxford Quickfit
- Oxford Access
- Oxford Quickfit Deluxe
- Oxford Full Back
- Oxford Comfort
- Oxford Silkfit
- Oxford Long Seat

⚠️ WARNUNG

Oxford Patientenlifter dürfen nur von entsprechend geschultem/sachkundigem Pflegepersonal bedient werden.

Erwartete Lebensdauer

Oxford Professional Patientenlifter sind für eine Lebensdauer von mindestens zehn (10) Jahren ausgelegt und geprüft, vorausgesetzt, die in diesem Handbuch beschriebenen Verfahren für Gebrauch und Wartung werden eingehalten. Bei einer Verwendung, die nicht den Angaben in dieser Anleitung entspricht, kann die Lebensdauer beeinträchtigt werden.

Meldung von schwerwiegenden Vorfällen

Wenn ein schwerwiegender Vorfall beim Gebrauch dieses Produkts auftritt, der sich auf den Patienten und/oder die Pflegeperson auswirkt, muss dieser dem Hersteller des Produkts oder dem autorisierten Fachhändler gemeldet werden. Sollte der Vorfall innerhalb der Europäischen Union (EU) auftreten, muss er auch die Behörde vor Ort gemeldet werden, die im jeweiligen Mitgliedstaat zuständig ist.

3. Montage und Inbetriebnahme

Stellen Sie den Versandkarton in einem freien Arbeitsbereich auf und öffnen Sie ihn vorsichtig.

Der Karton enthält folgende Teile:

- OXFORD PRESENCE LIFTER
- TASCHE MIT DOKUMENTEN
- HANDBEDIENUNG
- AKKUEINHEIT
- LADEKABEL
- TISCHLADEGERÄT/STÄNDER

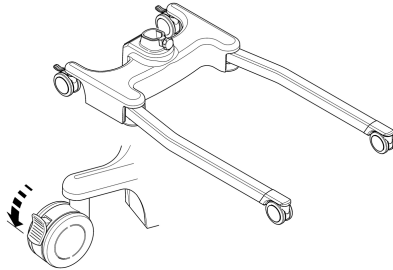
⚠ WARNUNG

Der Oxford Presence ist schwer und muss vorsichtig gehoben werden. Holen Sie sich Hilfe, um den Oxford Presence aus dem Karton zu heben.

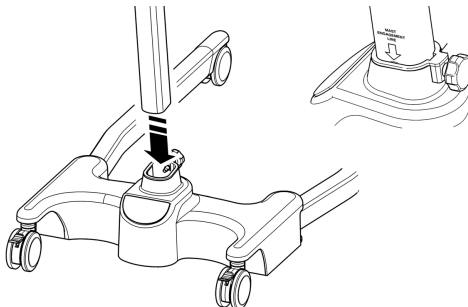
Montage

1. Nehmen Sie alle Teile aus dem Karton heraus, legen Sie sie auf den Boden und achten Sie darauf, dass die Oberfläche des Geräts nicht beschädigt wird.

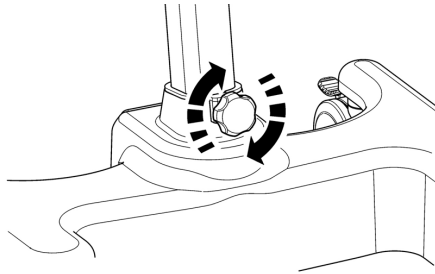
Stellen Sie den Rahmen an einer freien Stelle auf, und verriegeln Sie die hinteren Feststellbremsen.



2. Stecken Sie die Mast/Ausleger-Baugruppe in die entsprechende Buchse des Rahmens.



3. Ziehen Sie den Mast mit dem Mast-Feststellknopf fest, der sich vorne am Rahmen befindet.

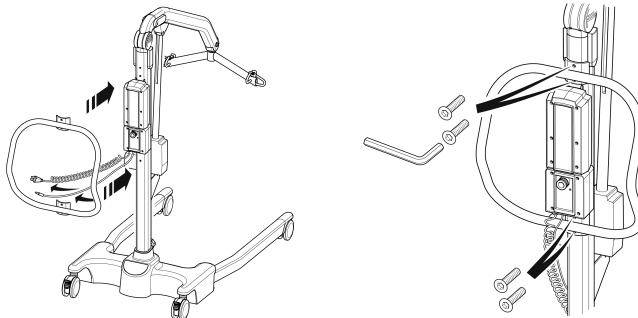


⚠️ WARNUNG

Quetschgefahr: Halten Sie die Finger vom Mastende fern, wenn Sie den Mast in die Rahmenbuchse einsetzen. Das Etikett auf der Mastseite zeigt an, wann der Mast vollständig eingesetzt ist. Erst wenn der Mast ganz eingesetzt ist, ist das elektrische Fahrgestell funktionsbereit.

4. Drehen Sie den Feststellknopf mit der Hand fest.
5. Richten Sie die Handgriff-Einheit mit dem Hinterteil des Masts aus, und befestigen Sie sie mit den mitgelieferten Schrauben. Die Schrauben und der zur Befestigung des Handgriffs benötigte Schraubenschlüssel sind in der Gebrauchsanweisungstasche aufbewahrt.

ACHTUNG: Beim Anbringen des Handgriffs an den Mast achten Sie darauf, dass sich alle losen Kabel außerhalb des Handgriffs befinden.



6. Setzen Sie die Akkueinheit in den Lifter ein und vergewissern Sie sich, dass der Verschluss, der die Einheit an ihrem Platz hält, vollständig eingerastet ist. Die Einheit muss mit einem klickenden Geräusch einrasten.

Erstmalige Befestigung der eingebauten APC-Halterung

BITTE BEACHTEN SIE DIESE ANWEISUNGEN GANZ GENAU

Die eingebaute APC-Halterung muss vor dem Gebrauch von einer sachkundigen Person am Patientenlifter befestigt und an die Stromversorgung angeschlossen werden. Die integrierte APC-Halterung wird mit dem Kugelsperbolzen der Standardausführung des Presence am Ausleger befestigt, zusätzlich ist dann noch der Anschluss an die Stromversorgung erforderlich, der im Ausleger vorgenommen wird.

VERBINDUNG

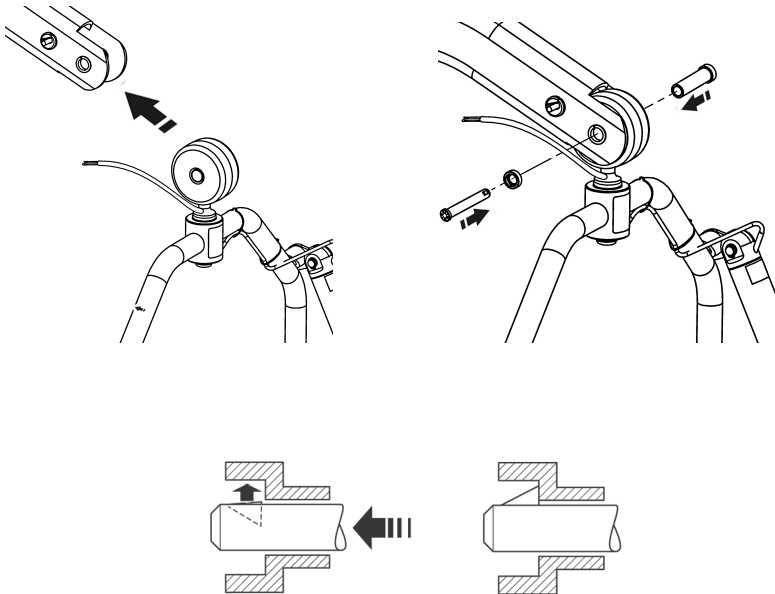
Spreizbügel anschließen:

Heben Sie die eingebaute APC-Halterung zur Öffnung des Auslegers hin.

Stecken Sie die Hülse des Kugelsperbolzens durch die Endkappe aus Kunststoff und stützen Sie die eingebaute APC-Halterung ab.

Wenn die Halterung in der Öffnung des Anlegers ausgerichtet ist, stecken Sie den Kugelsperbolzen ganz in die Hülse ein, bis er einrastet. SIE MÜSSEN ÜBERPRÜFEN, DASS DER BOLZEN RICHTIG SITZT.

Drücken Sie dazu mit Ihrem Finger auf das gerippte Ende. Wenn sich der Bolzen nicht bewegt, darf der Patientenlifter benutzt werden.



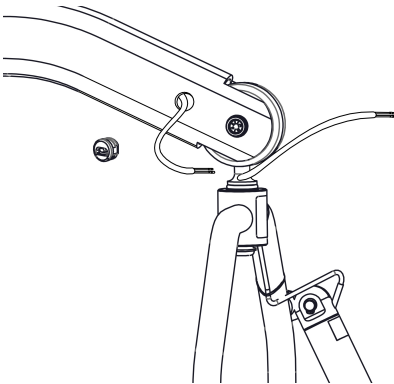
VERBINDUNG

Anschließen an die Stromversorgung:

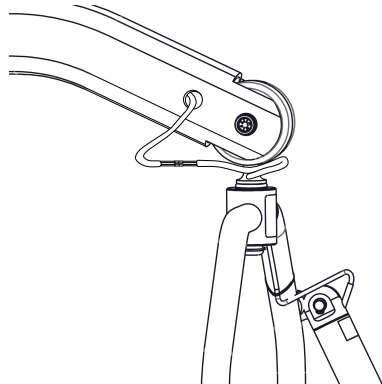
Vergewissern Sie sich, dass die Batterie abgeklemmt und der Steuerkasten ausgeschaltet ist.

1. Ziehen Sie die Kabelklemme mit einem kleinen flachen Schraubenzieher vom Ausleger ab. Nehmen Sie die Drahtenden und ziehen Sie durch das Loch an der Seite des Auslegers.
2. Verbinden Sie die Rundstecker an den Enden der Drähte mit den Rundsteckern an den Enden der Drähte von der eingebauten APC-Halterung.
3. Bringen Sie die Kabelklemme 150 mm von dem Punkt entfernt, an dem das Kabel in den Verbindungsstift der Halterung eintritt, am Kabel an.
4. Führen Sie übrigen Draht einschließlich der Rundstecker durch das Loch und in den Ausleger ein.
5. Bringen Sie die Kabelklemme wieder im Loch am Ausleger an, dabei darauf achten, dass sie ganz hineingedrückt wird.
6. Überprüfen Sie, dass noch 150 mm freies Kabel zwischen dem Ausleger und der eingebauten APC-Halterung verbleibt.

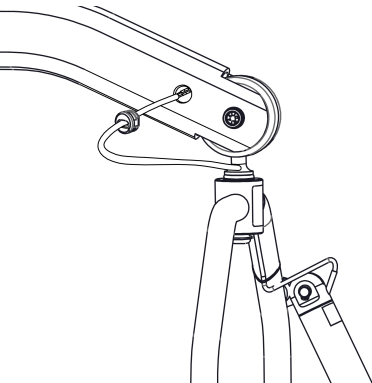
1



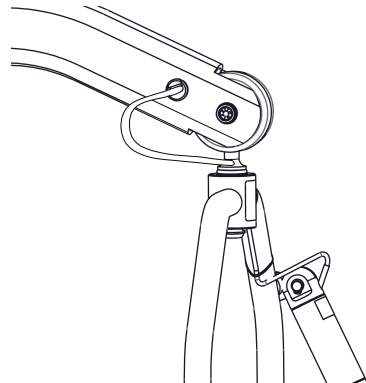
2



3



5

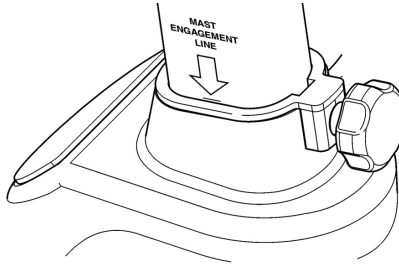


DEMONTAGE

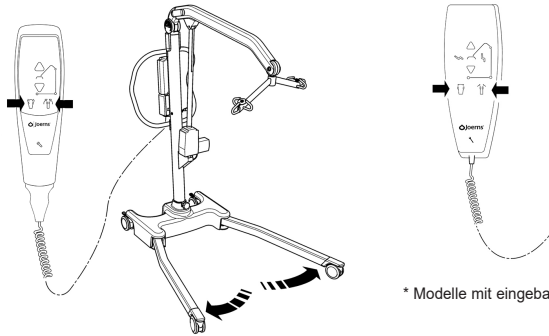
Der Lifter sollte nur bei Bedarf für Wartung, Reparatur oder Transport demontiert werden. Hierzu befolgen Sie die Montageanweisungen in umgekehrter Reihenfolge.

PRÜFEN SIE VOR DEM BETRIEB STETS DIE FOLGENDEN PUNKTE:

- Der Mast ist ordnungsgemäß eingerastet.

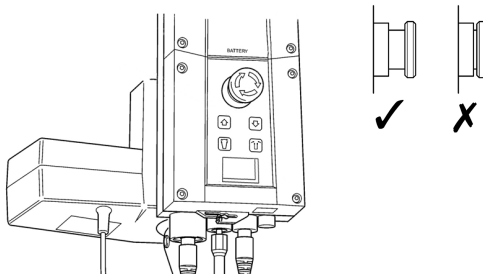


- Das Fahrgestell des Lifters lässt sich einwandfrei spreizen und zusammenführen. (Dies geschieht über die Handbedienung.)

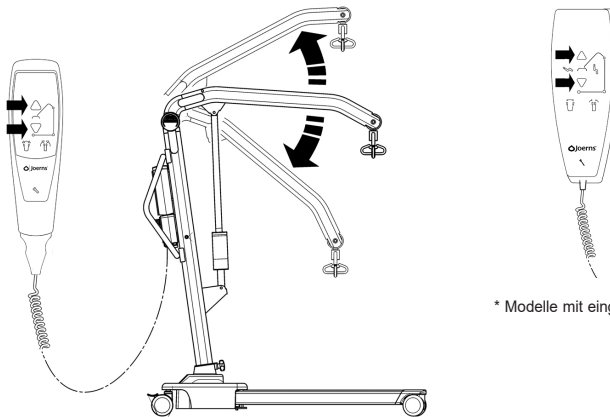


* Modelle mit eingebauter APC-Halterung.

- Der rote Not-Aus-Knopf auf der Rückseite der Steuereinheit befindet sich in der Position OFF (Aus).

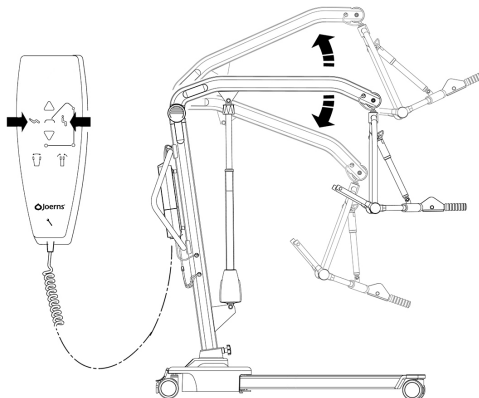


- Drücken Sie die Aufwärts- und Abwärts-Tasten auf der Handbedienung und vergewissern Sie sich, dass sich der Ausleger hebt und senkt.



* Modelle mit eingebauter APC-Halterung.

- Bei Modellen mit eingebauter APC-Halterung drücken Sie die Knöpfe für die sitzende Person an der Handsteuerung und überprüfen Sie, dass die Halterung entsprechend neu positioniert wird.



4. Sicherheitshinweise

Lesen und befolgen Sie die nachfolgend aufgeführten Sicherheitshinweise. Betrieb und Funktionsweise des Oxford Patientenlifters sind einfach und direkt. Wenn Sie diese grundlegenden Sicherheitsvorkehrungen beachten, ist der Hebebetrieb leicht und problemlos.

DER "PRESENCE" LIFTER DARF NUR VON PERSONEN VERWENDET WERDEN, DIE DIESES BENUTZERHANDBUCH GELESEN UND VERSTANDEN HABEN.

WARNUNG: Wichtige Sicherheitsinformationen über Gefahren, die schwere Verletzungen zur Folge haben können.

VORSICHT: Informationen zur Vermeidung von Beschädigungen am Produkt.

HINWEIS: Informationen, auf die Sie besonders achten sollten.

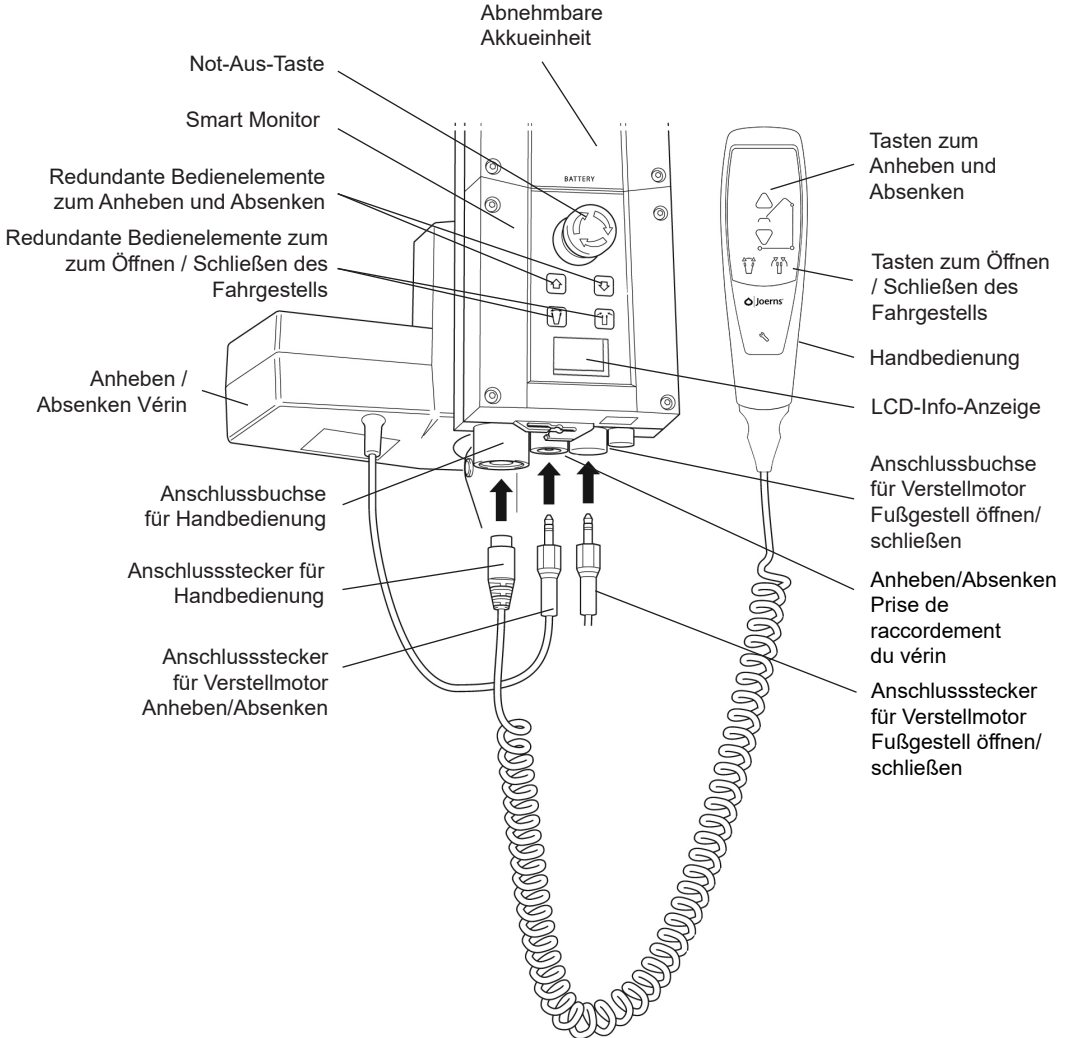
WARNUNG

- Oxford Patientenlifter dürfen nur von entsprechend geschultem/sachkundigem Pflegepersonal bedient werden.
- Planen Sie die mit dem Lifter auszuführenden Aufgaben STETS bevor Sie beginnen.
- Gehen Sie vor jedem Einsatz des Lifters die TÄGLICHE PRÜFLISTE (Weiter hinten in diesem Handbuch) durch.
- Machen Sie sich vor jedem Heben von Patienten mit den Bedienungselementen und Sicherheitseinrichtungen des verwendeten Lifters vertraut.
- Verwenden Sie KEINE Gurte, die nicht ausdrücklich zur Verwendung mit diesem Lifter empfohlen werden.
- Prüfen Sie STETS, ob der Gurt für den speziellen Patienten geeignet ist und die korrekte Größe und Tragfähigkeit besitzt.
- Verwenden Sie NIEMALS Gurte, die ausgefranst oder beschädigt sind.
- Passen Sie die Gurte STETS gemäß den Anweisungen (Benutzerhandbuch) an.
- Vergewissern Sie sich, dass die zulässige Arbeitsbelastung des Lifters für das Gewicht des Patienten ausreicht.
- Bedienen Sie den Lifter STETS gemäß den Anweisungen im Betriebshandbuch.
- Bedienungs- oder Sicherheitselemente dürfen AUF KEINEM FALL entfernt oder außer Kraft gesetzt werden, um den Lifter-Betrieb zu vereinfachen.
- Heben Sie Patienten NIEMALS mit festgestellten Laufrollen an. Der Lifter muss sich stets auf den richtigen Schwerpunkt positionieren können.
- Manövrieren Sie den Lifter NIEMALS durch Schieben am Mast, Ausleger oder am Patienten.
- Manövrieren Sie den Lifter STETS mit dem vorhandenen Handgriff.
- Senken Sie den Patienten vor Beginn des Transfers STETS auf die niedrigste bequeme Position.
- Schieben Sie den beladenen Lifter NICHT bei Geschwindigkeiten, die über der Schrittgeschwindigkeit liegen (3 km/h, 0,8 m/s).

- Schieben Sie den Patientenlifter NICHT über unebenen oder rauen Untergrund, vor allem nicht, wenn er beladen ist.
- Schieben/ziehen Sie den beladenen Lifter NICHT über Hindernisse am Boden, die von den Laufrollen nicht überfahren werden können.
- Betätigen Sie die Bedienungs-/Sicherheitselemente NIEMALS mit Gewalt. Alle Elemente sind leichtgängig und ohne Gewalt zu betätigen.
- Die MINDESTLAST zum manuellen Absenken des Patientenlifters mit der mechanischen Notabsenkung beträgt 30 kg.
- Parken Sie den beladenen Lifter NICHT auf schiefen Ebenen.
- Verwenden Sie elektrische Lifter NICHT in Duscbädern.
- Laden Sie elektrische Lifter NICHT in Bädern oder Duschräumen auf.
- Heben Sie KEINE Patienten, wenn Sie nicht dafür ausgebildet und kompetent sind.
- Der Lifter ist zum Heben von Patienten konzipiert worden. Er darf für KEINE anderen Zwecke verwendet werden.
- Der Lifter darf weder in beladenem noch in unbeladenem Zustand Stufen heruntergeschoben werden.
- Führen Sie den beladenen Lifter NICHT über schiefe Ebenen mit mehr als 1:12 (ca. 5 Grad) Gefälle.
- Führen Sie den Lifter NICHT ohne zweiten Helfer über schiefe Ebenen.
- Achten Sie vor dem Bewegen STETS darauf, dass der Lifter nicht gerade aufgeladen wird, da der elektrische Anschluss beschädigt werden kann.

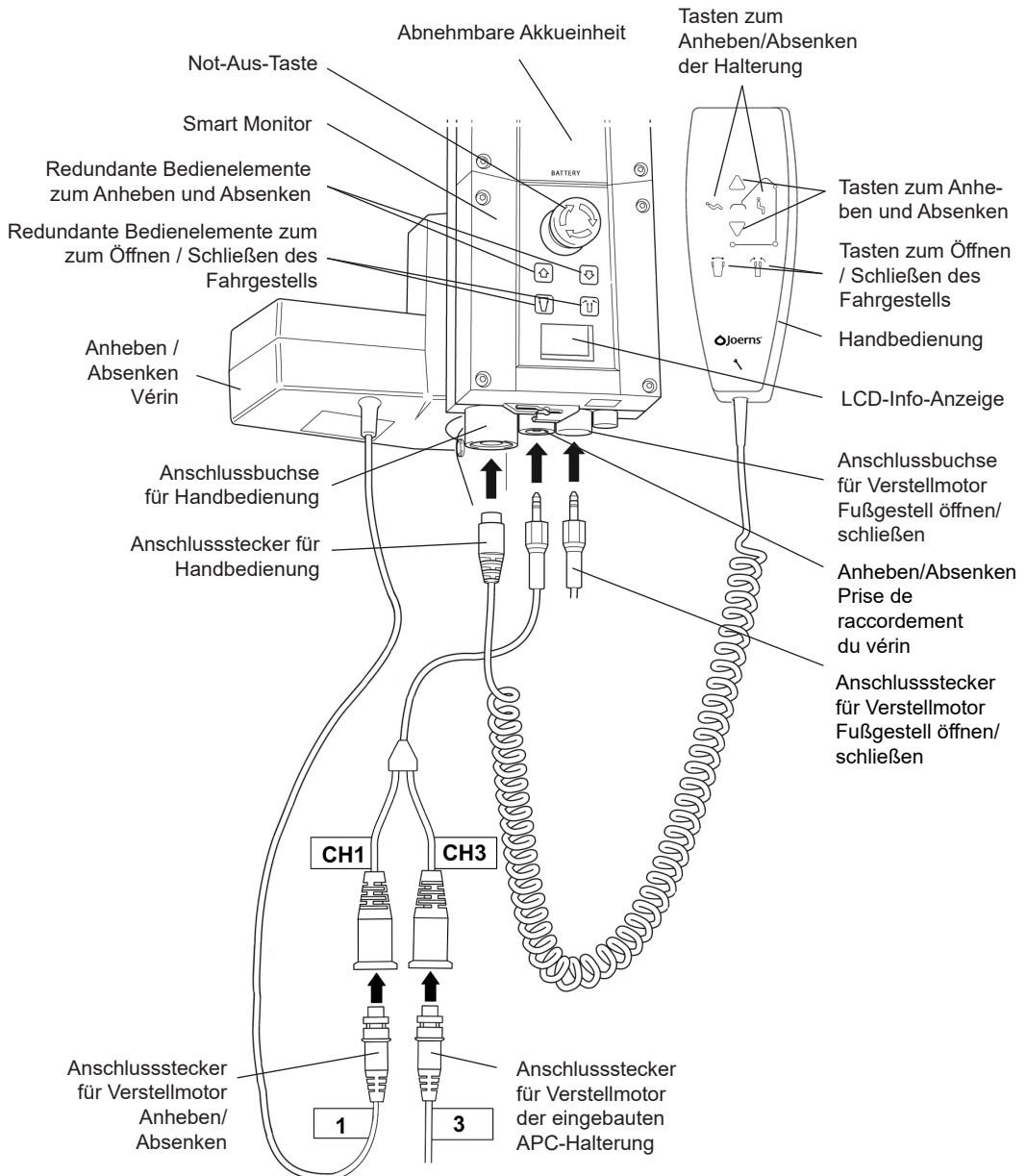
5. Smart Monitor und Handbedienung

Standardausführung des Presence



Presence mit eingebauter APC-Halterung

Bei Modellen mit eingebauter APC-Halterung werden die Handbedienung und das Verstellmotorkabel wie folgt angeschlossen:



Bestimmungsgemäße Verwendung

Der Oxford Smart Monitor ist ein Steuersystem für mobile Oxford Patientenlifter. Der Smart Monitor speichert nützliche Servicedaten zum Patientenlifter, die bei Bedarf aufgerufen werden können. Zu den Servicedaten gehören:

- Anzahl der mit Patienten durchgeführten Hübe
- Gesamtleistung des Verstellmotors
- Anzahl der Überlasten am Patientenlifter (Hubversuche über der maximalen Tragfähigkeit)
- Anzahl der Tage seit dem letzten Serviceintervall

In den Oxford Smart Monitor ist ein Mikroprozessor eingebaut, mit dem Servicedaten über die eingebaute LCD-Anzeige ausgelesen werden kann.

Funktionen

- Datensammlung im Steuerkasten mit Anzeige der Daten über eine LCD-Anzeige
- Leistungszähler
- Intelligenter Hubzähler
- Serviceanzeige
- Serviceintervallanzeige
- Überlastinformationen
- 3-stufige Akkuanzeige


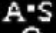
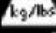

Vorteile

- Mehr Sicherheit für Patienten und Pflegepersonal
- Korrekte Servicedaten auf Knopfdruck verfügbar
- Optimierte Lebensdauer des Produkts
- Einfache Wartung für Mechaniker und Servicemechaniker

LCD Anzeige

Mit dem Oxford Smart Monitor können Daten über die LCD-Anzeige ausgelesen werden. Es können die Gesamtzahl der Hubvorgänge, Gesamtleistung, Überlasten und Anzahl der Tage seit dem letzten Service ausgelesen werden, die zur schnellen und einfachen Beurteilung des Zustands des Hubverstellmotors verwendet werden können.

Der Zugriff auf die Daten erfolgt durch Drücken der Taste 'UP' an der Handbedienung für ½ Sekunde oder der redundanten Taste 'UP' am Smart Monitor.

	12034	— Gesamtzahl der Hübe
	1257000	— Gesamtleistung (Ampere * Sekunden)
	7	— Anzahl der Überlasten
	90/180	— Anzahl der Tage (seit dem letzten Service) / Anzahl der Tage (zwischen einem Service und dem nächsten)

Informationen zu Service und Verwendung



Wenn ein Service fällig ist, erscheint das Service-Symbol auf dem Display. Wenn die Handbedienung aktiviert ist, gibt der Smart Monitor auch ein akustisches Signal ab, das den Benutzer darauf hinweist, dass ein Service erforderlich ist.

Das Service-Symbol wird jedes Mal angezeigt, wenn die Taste zum Anheben oder Absenken an der Handbedienung gedrückt wird. Wenn das Service-Symbol angezeigt wird, wenden Sie sich sofort an Ihren autorisierten Fachhändler, um einen Termin für einen Service zu vereinbaren.

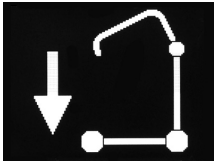


Wenn der Patientenlifter wegen einer Überlast (ein Versuch, mehr als die maximal zulässige Tragkraft anzuheben) stoppt, erscheint das Überlast-Symbol auf der LCD-Anzeige und der Patientenlifter funktioniert erst wieder, wenn die zusätzliche Last (über der maximalen zulässigen Tragkraft) abgenommen wurde.

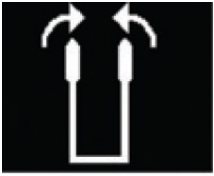
⚠️ WARNUNG

Wenn die LCD-Anzeige auf Ihrem Smart Monitor eine Überlast erfasst hat, empfiehlt Joerns Healthcare, vor der weiteren Benutzung ALLE täglichen Routineprüfungen am Patientenlifter durchzuführen (eine Liste der täglichen Überprüfungen finden Sie im Benutzerhandbuch des Patientenlifters). Joerns Healthcare empfiehlt auch, dass Sie sich für weitere Informationen an Ihren autorisierten Oxford Fachhändler wenden.

Eingebaute redundante Steuerung



Mit der eingebauten redundanten Steuerung kann der Patientenlifter im Notfall angehoben oder abgesenkt werden.



Wenn Ihr Patientenlifter mit einer elektrischen Fahrgestellpositionierung ausgestattet ist, sind redundante Bedienelemente zum Öffnen und Schließen des Fahrgestells vorhanden.

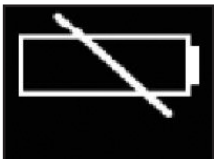
Angaben zum Akku



Wenn auf dem Display ein voller Akku angezeigt wird, heißt das, dass der Akku ganz aufgeladen und der Patientenlifter betriebsbereit ist.



Wenn auf dem Display eine halb leere Akku angezeigt wird, heißt das, dass der Akku aufgeladen werden muss.



Das Symbol mit dem leeren Akku auf dem Display zeigt an, dass der Akku ganz leer ist und sofort aufgeladen werden sollte.

⚠️ WARNUNG

Um eine mögliche Dauerschädigung des Akkus zu vermeiden, sollte der Akku aufgeladen werden, wenn das halb leere Akkusymbol auf dem Display angezeigt wird.

6. Betriebshinweise

⚠ WARNUNG

Oxford Patientenlifter dürfen nur von entsprechend geschultem/sachkundigem Pflegepersonal bedient werden.

1. Einstellen der Fahrgestellbreite

Die Breite des Fahrgestells am Oxford Presence ist elektrisch einstellbar. Das Fahrgestell kann gespreizt werden, um Sessel oder Rollstühle zu umschließen. Für den Transfer durch enge Türen und Durchgänge sollte das Fahrgestell zusammengeführt werden.

Elektrisches Einstellen der Fahrgestellbreite - Drücken Sie auf der Handbedienung die entsprechenden Tasten. Das Fahrgestell wird festgestellt, wenn der Handbedienungsschalter losgelassen wird.

2. Laufrollen und Feststellbremsen

Der Lifter besitzt zwei feststellbare Laufrollen, die beim Abstellen benutzt werden. Beim Heben müssen die Laufrollen frei und nicht festgestellt sein. Der Lifter kann sich dann zum Schwerpunkt des Lifters hin bewegen. Wenn Sie die Bremse betätigen, kann der Patient beim Heben mit festgestellten Laufrollen möglicherweise zum Schwerpunkt schwenken, was beunruhigend oder unangenehm sein kann.

3. Heben und Senken des Auslegers

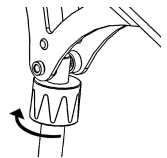
Die Hubbewegung des Auslegers erfolgt durch einen leistungsstarken elektrischen Stellmotor, der mit einer einfachen Handbedienung gesteuert wird. Auf der Handbedienung befinden sich zwei Taster mit den Richtungspfeilen AUFWÄRTS und ABWÄRTS. Der Stellmotor stoppt automatisch in der oberen bzw. unteren Endlage. Die Handbedienung ist an einer Buchse unten an der Steuereinheit angeschlossen. Auf der Rückseite der Handbedienung befindet sich ein Haken, mit dem man die Handbedienung bei Nichtbenutzung am Mast oder Ausleger aufhängen kann.

4. Neupositionierung der eingebauten APC-Halterung (nur bei bestimmten Modellen verfügbar)

Bei Modellen mit eingebauter APC-Halterung kann der Verstellmotor an der Halterung mit der Handbedienung verstellt werden. An der Handbedienung befinden sich zwei Tasten, auf denen eine sitzende Person mit zwei verschiedenen Neigungswinkeln abgebildet ist. Verwenden Sie diese zwei Tasten zum Verfahren der Halterung. Der Verstellmotor stoppt automatisch in der oberen bzw. unteren Endlage. Die Position der Halterung wird verriegelt, wenn die Taste an der Handbedienung losgelassen wird.

5. Not-Aus-Taste

Die rote Not-Aus-Taste befindet sich auf der Vorderseite der Steuereinheit und wird durch Drücken ausgelöst. In diesem Fall wird die gesamte Stromzufuhr zum Lifter unterbrochen. Um den Not-Aus-Zustand aufzuheben, wird die Taste gegen den Uhrzeigersinn gedreht und losgelassen.



6. Elektrische Notabsenkung/-anhebung

Die Taste für die Notabsenkung (Abwärts) und -anhebung (Aufwärts) befindet sich auf der Vorderseite der Steuereinheit. Sie wird ausgelöst, indem Sie eine Kugelschreiberspitze auf die mit ↑↓ gekennzeichnete Taste drücken. Mit dieser Funktion kann der Ausleger jederzeit gehoben oder gesenkt werden, wenn die Handbedienung ausfällt.

7. Redundante Steuerung

Alle Oxford Patientenlifter sind mit Tasten zum Anheben und Absenken am Steuerkasten ausgestattet. Sie befinden sich unter der Not-Aus-Taste und können beim Ausfall der Handbedienung zum Absenken/Anheben des Patienten verwendet werden.

8. Mechanische Notabsenkung

Für den Fall eines kompletten Stromausfalls ist der elektrische Verstellmotor mit einem federunterstützten mechanischen Senkmechanismus (ROTER KNOPF) ausgestattet. Der Mechanismus funktioniert nur, wenn der Patientlifter unter Last steht. Um ihn zu aktivieren, muss die Vorrichtung von Hand gedreht und losgelassen werden. Der Patientlifter wird dann langsam abgesenkt. Wiederholen Sie den Vorgang, bis der Patient sicher unten angekommen ist.

⚠️ WARNUNG

Wenn diese Funktion benutzt wurde, MUSS der Patientlifter danach von einem Fachmechaniker überprüft werden.

9. Akkus

Die Akkus werden durch einen LADEZUSTANDSALARM vor zu starker Entladung geschützt. Dieser Alarm ertönt bei Betätigung der Handbedienung, wenn die Akkus aufgeladen werden müssen. Der Alarmton wird nur dann ausgelöst, wenn die Handbedienung betätigt wird. **DIESER ALARM IST UNBEDINGT ZU BEACHTEN.** Führen Sie den Hebevorgang zu Ende und laden Sie die Akkus auf (siehe „Aufladen der Akkueinheit“).

10. Gurte

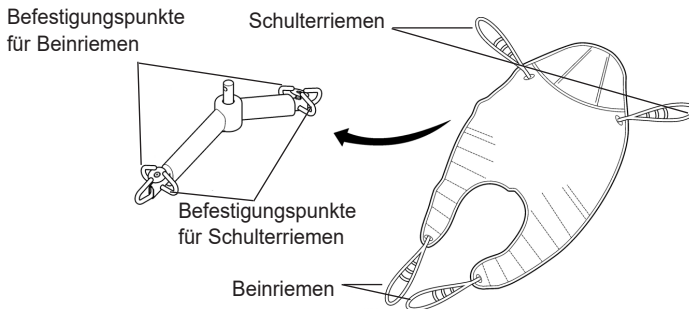
Der Oxford Presence bietet die Wahl zwischen einem Sechspunkt- Spreizbügel und einem Vierpunkt-Rahmen. Diese beiden Systeme verwenden verschiedene Befestigungsmethoden und Gurte.

Das Sechspunktsystem verwendet Gurte mit Gurtschlingen, die ein Einstellen der Position durch die Auswahl verschiedenfarbiger Schlingen ermöglichen. Das Vierpunktsystem verwendet das System der Securiz-Sicherheitsclips. Es wird durch Drehen des Vierpunkt-Rahmen eingestellt.

Schleifenriemengurte: Oxford Quickfit, Full Back, Quickfit Deluxe, Long Seat, Access und Silkfit

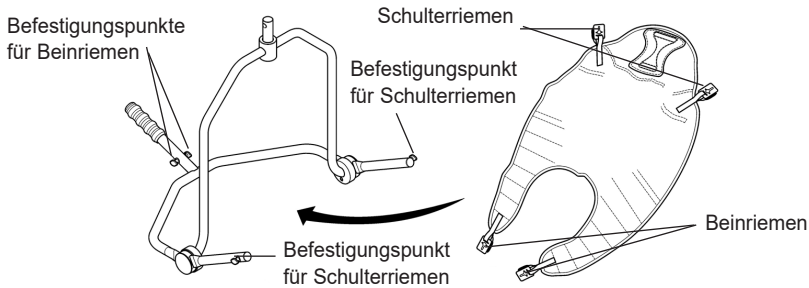
Sicherheitsclipgurte: Oxford Comfort

Das Sechspunktsystem wird an den Haken des Hehebügels mit Schleifenriemen befestigt (siehe unten). Für jeden Gurt werden spezielle Anweisungen mitgeliefert. Lesen Sie bitte vor Gebrauch die Anweisungen.

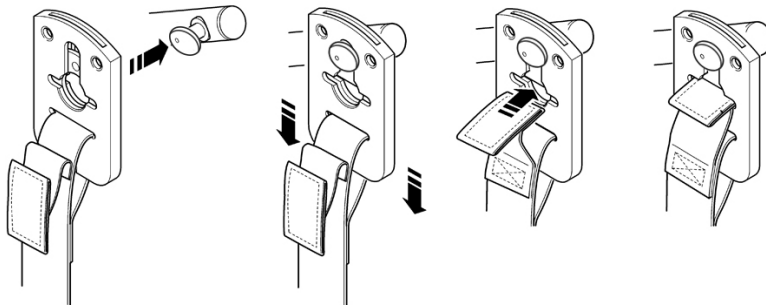


Sechspunkt-Spreizbügel; Beispiel für Sechspunkt-Spreizbügelgurt mit Befestigung durch Schleifen.

Das Vierpunkt-Rahmengurt wird an den Ständer des Hehebügels mit einem Sicherheitsclipsystem befestigt (siehe unten). Für jeden Gurt werden spezielle Anweisungen mitgeliefert. Lesen Sie bitte vor Gebrauch die Anweisungen.



Vierpunkt-Rahmensystem; Beispiel für Vierpunkt-Rahmengurt mit Sicherheitsclipsystem.



Securi3 Schlingenbefestigungssystem. Installationsbeispiel.

HINWEIS: Für detaillierte Anleitungen zur Befestigung siehe die Bedienungsanleitung für die Gurte.

⚠️ WARNUNG

Joerns Healthcare empfiehlt, die Gurte regelmäßig und vor dem Gebrauch auf Ausfransen oder andere Schäden zu prüfen. Verwenden Sie KEINE Gurte, die abgenutzt oder beschädigt sind.

⚠️ WARNUNG

OXFORD EMPFIEHLT DIE VERWENDUNG VON ORIGINAL OXFORD-TEILEN. Bespannungen und Lifts von Oxford sind frei miteinander kombinierbar. Länderspezifische Angaben zur Bespannung und Kompatibilität finden Sie im Etikett der Bespannung oder wenden Sie sich an Ihren örtlichen Händler oder an Joerns Healthcare.

⚠️ WARNUNG

Bitte beachten Sie die maximale Tragfähigkeit des Lifters. Die Kapazität der Gurte ist durch die maximale Tragfähigkeit des Lifters begrenzt.

7. Entfernen der Sechspunkt-Spreizbügelssysteme und Vierpunkt-Rahmen

DIESE ANWEISUNGEN BITTE GENAU BEFOLGEN

⚠ WARNUNG

Wenn Ihr Oxford Presence mit einer eingebauten APC-Halterung ausgestattet ist, nehmen Sie diese **NICHT** ab. Sie kann wegen des Netzkabels nicht einfach abgenommen werden und der Patientenlifter kann dadurch beschädigt werden.

Ihr Presence-Patientenlifter kann sowohl mit einem Sechspunkt- wie auch einem Vierpunkt-system verwendet werden. Diese Systeme lassen sich mit Hilfe eines Schnellauslösestifts leicht entfernen. Dies lässt sich zwar schnell und einfach durchführen, Sie müssen jedoch die folgenden Sicherheitsanweisungen durchlesen, um sicherzustellen, dass der Spreizbügel/Rahmen vor Gebrauch sicher eingerastet ist.

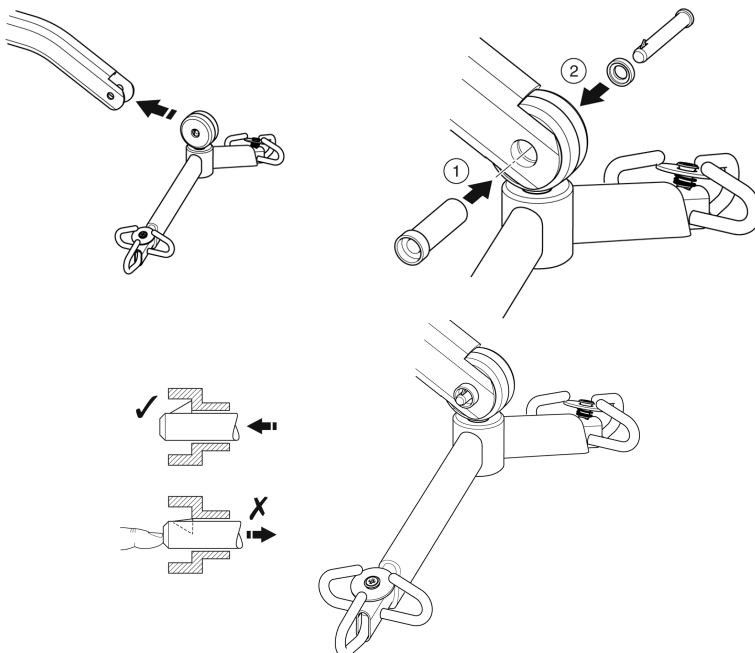
BEFESTIGUNG

Zum Anschließen den Spreizbügel bzw. die Halterung zur Öffnung am Anleger hin anheben.

Stiftbuchse zur Unterstützung den Spreizbügel/Rahmen durch die Plastikendkappe einsetzen.

Nach korrekter Ausrichtung im Auslegerschlitze den Schnellauslösestift bis zum Einrasten wieder vollständig in die Buchse einsetzen. **SIE MÜSSEN ÜBERPRÜFEN, DASS DER STIFT SICHER BEFESTIGT IST.**

Dazu den Finger in das gezahnte Ende drücken. Bleibt der Stift in seiner Position, kann der Lifter sicher genutzt werden.



ENTFERNEN

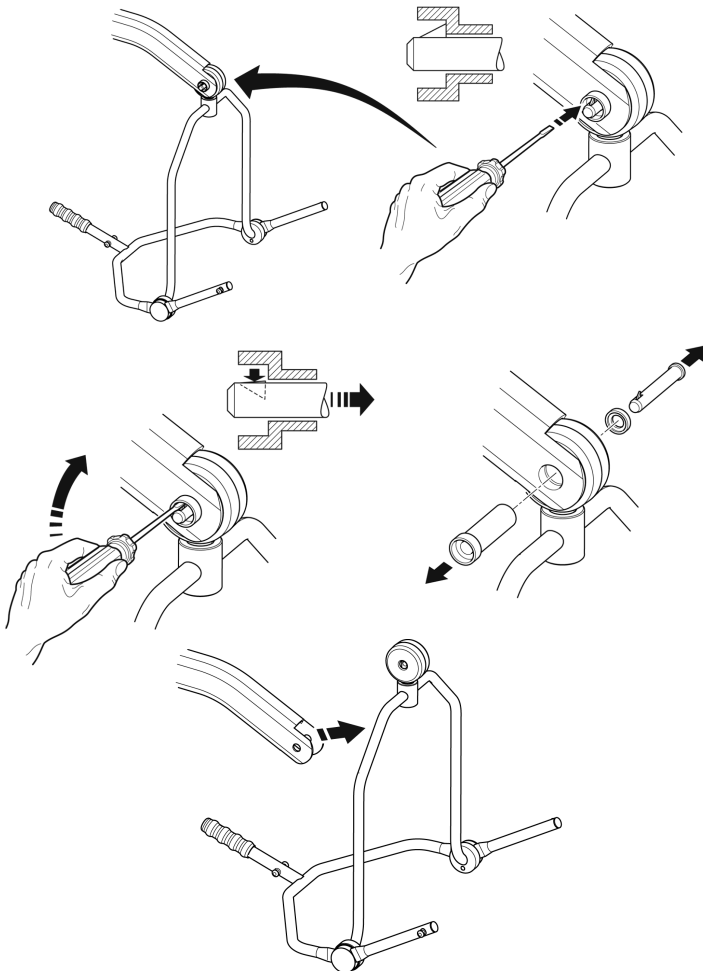
⚠️ WARNUNG

Wenn Ihr Oxford Presence mit einer eingebauten APC-Halterung ausgestattet ist, nehmen Sie diese NICHT ab. Sie kann wegen des Netzkabels nicht einfach abgenommen werden und der Patientenlifter kann dadurch beschädigt werden.

VORSICHT: Stellen Sie sicher, dass Sie das Gewicht der Querstange stützen/Rahmen, bevor Sie den Stift entfernen.

Um den Stift zu entfernen, die Steckfeder (mit Hilfe eines Flachschaubenziehers oder eines ähnlichen Werkzeugs) eindrücken und den Stift herausziehen.

Spreizbügel/Rahmen unterstützen und die Stiftbuchse in die entgegengesetzte Richtung ziehen, wobei sie vollständig vom Ausleger entfernt wird. Dadurch wird der Spreizbügel vollständig freigegeben.



8. Aufladen der Akkueinheit

Wenn die Akkueinheit aufgeladen werden muss, wird sie vom Lifter entfernt und an eine externe Ladeeinheit angeschlossen.

Joerns Healthcare Ltd empfiehlt, eine Ersatz-Akkueinheit zu kaufen, sodass eine Einheit ständig geladen sein kann.

1. Entfernen Sie die Akkueinheit aus dem Lifter. Die Einheit ist mit einem einfachen Verschluss befestigt, der sich oben auf der Akkueinheit befindet. Wenn Sie den Verschluss anheben, wird die Akkueinheit freigegeben.
2. Schließen Sie die Akkueinheit an die Ladeeinheit an. Die Position und Befestigung der Akkueinheit an der Ladeeinheit ist dieselbe wie am Lifter.
3. Stecken Sie den Netzstromstecker des Ladegeräts in eine geeignete Netzsteckdose, und schalten Sie die Stromversorgung EIN.
4. Der Ladevorgang erfolgt automatisch, und die Akkus werden innerhalb acht bis zwölf Stunden vollständig aufgeladen. **Hinweis:** Auch wenn das Ladegerät längere Zeit angeschlossen bleibt, sind die Akkus vor Überladung geschützt.
 - a) Grünes Licht - Zeigt an, dass es eingeschaltet ist.
 - b) Gelbes Licht - Zeigt an, dass die Batterie geladen wird.
 - c) Batterie ist ganz aufgeladen, wenn das gelbe Licht ausgeht.

Hinweis: Der Ladevorgang dauert bis zu 4 Stunden.

Es wird empfohlen, die Batterie sofort nach dem Empfang aufzuladen.

5. Um den Lifter wieder in Betrieb zu nehmen, schalten Sie die Stromversorgung AUS und entfernen Sie die Akkueinheit vom Ladegerät. Setzen Sie die Akkueinheit in den Lifter ein und vergewissern Sie sich, dass der Verschluss, der die Einheit an ihrem Platz hält, vollständig eingerastet ist. Die Einheit muss mit einem klickenden Geräusch einrasten. Das Aufladen elektrischer Oxford Lifter ist einfach und direkt, aber es ist wichtig, die Ladeanweisungen genau zu befolgen. Beachten Sie bitte die folgenden Punkte, die Ihnen dabei helfen, Probleme mit entladenen Akkus zu vermeiden.

WARNUNG

- **Akku, Ladegerät, Handsteuerung und Steuereinheit dürfen NUR von autorisiertem Personal geöffnet werden. (Wenden Sie sich wegen Garantie und Reparaturen an Ihren Fachhändler).**
- **Die Akkupole/Pole des Ladegeräts NICHT berühren.**
- **Die Akkus IMMER ganz aufladen. Lassen Sie die Akkueinheit immer aufladen, wenn sie nicht benutzt wird. Wenn es für Sie einfacher ist, laden Sie sie jede Nacht auf. Das Ladegerät schützt die Akkueinheit vor dem Überladen.**
- **Die Akkus NIE ganz entladen lassen. Sobald das Alarmsignal ertönt, den Hebevorgang zu Ende führen und die Akkus aufladen.**
- **Um eine mögliche Dauerschädigung des Akkus zu vermeiden, sollte der Akku aufgeladen werden, wenn das halb leere Akkusymbol auf dem Display angezeigt wird.**

- **Den Akku IMMER in regelmäßigen Abständen nachladen, wenn er für längere Zeit nicht verwendet wird.**
- **STETS darauf achten, dass die Netzspannung zum Ladegerät ausgeschaltet ist, bevor das Akkupaket angeschlossen oder abgenommen wird.**
- **Das Akkupaket NIE am Ladegerät angeschlossen lassen, wenn die Netzspannung zum Ladegerät ausgeschaltet ist.**
- **DAS LADEGERÄT NICHT eingeschaltet lassen, wenn der Akku nicht angeschlossen ist.**
- **DEN PATIENTENLIFTER WÄHREND DES LADEVORGANGS NICHT benutzen.**
- **ÜBERPRÜFEN Sie vor dem Verfahren, dass der Patientenlifter nicht aufgeladen wird, da der elektrische Anschluss sonst dadurch beschädigt werden kann.**
- **DAS LADEGERÄT KEINESFALLS durch Ziehen am Kabel ausstecken.**
- **ACHTEN SIE DARAUF, dass Sie nicht über das Ladekabel stolpern.**
- **LADEN SIE ELEKTRISCHE PATIENTENLIFTER NICHT in Bädern oder Duschräumen auf.**

9. Wartungsplan und Tägliche Prüfliste

Alle Oxford Produkte sind so konzipiert, dass sie nur ein Minimum an Wartung benötigen. Einige Sicherheitsprüfungen und -prozeduren sind jedoch unerlässlich. Im Folgenden sind die TÄGLICH auszuführenden Aufgaben aufgeführt. Tägliche Überprüfungen und alle sechs Monate Wartung, Inspektion und Prüfung gewährleisten, dass ein Lifter in optimalem, sicherem Funktionszustand bleibt. Eine Liste der Ersatzteile erhalten Sie auf Anfrage.

Die BELASTUNGSPRÜFUNG und -zertifizierung sollte nur von qualifiziertem Personal oder von autorisierten Servicevertretern / Händlern durchgeführt werden.

TÄGLICHE PRÜFLISTE: Joerns Healthcare empfiehlt dringend, dass der Lifter täglich vor der Benutzung auf folgende Punkte überprüft wird:

- VERGEWISSERN SIE SICH, dass sich der Patientenlifter frei auf den Laufrollen bewegen kann.
- VERGEWISSERN SIE SICH, dass sich die 6-Punkt-Halterung ungehindert drehen und schwenken lässt.
- VERGEWISSERN SIE SICH, dass die 6-Punkt-Halterung sicher am Ausleger befestigt ist.
- UNTERSÜCHEN Sie die Gurthaken/Clips an der 6-Punkt-Halterung auf Schäden und übermäßige Abnutzung.
- VERGEWISSERN SIE SICH, dass sich das Fahrgestell ordnungsgemäß öffnen und schließen und in allen geöffneten und geschlossenen Positionen arretieren lässt.
- BETÄTIGEN SIE die Handbedienung, um sicherzustellen, dass sich der Ausleger einwandfrei heben und senken lässt.
- BEDIENEN Sie die Handsteuerung, um sicherzustellen, dass die integrierte Positionierungshalterung betriebsbereit ist (modellspezifisch).
- VERGEWISSERN SIE SICH, dass auf der Anzeige des Steuerkastens kein Schraubenschlüssel-Symbol aufleuchtet und beim Drücken der Tasten Anheben/Absenken kein akustisches Signal ertönt.
- ÜBERPRÜFEN SIE, dass die Not-Aus-Taste funktioniert.
- ÜBERPRÜFEN SIE die Gurte auf Ausfransen oder andere Schäden. Beschädigte oder verschlissene Gurte NICHT verwenden.
- ÜBERPRÜFEN SIE, dass am Patientenlifter kein Alarm ertönt, wenn die Handbedienung betätigt wird. Wenn der Alarm ertönt, den Patientenlifter NICHT benutzen und sofort aufladen.
- VERGEWISSERN SIE SICH, dass die Verbindungsstellen zum Verstellmotor gesichert sind.
- Führen Sie eine SICHTPRÜFUNG aller Befestigungsteile und Befestigungen durch und vergewissern Sie sich vor der Benutzung, dass sie alle gesichert sind.

Wartung, Inspektion Und Prüfung

Joerns Healthcare empfiehlt eine regelmäßige gründliche Inspektion und Prüfung des Oxford Presence Lifters und der Zubehörteile (Gurte, Waagen usw.). Die Häufigkeit der Inspektionen ist je nach Einsatzort unterschiedlich, d.h., Sie müssen sich bei Ihrem Händler oder bei der zuständigen Behörde vor Ort erkundigen, wie oft eine Inspektion durchgeführt werden muss. Die Untersuchung und der Test müssen nach den in diesem Handbuch angegebenen Empfehlungen und Verfahrensweisen durchgeführt werden. Joerns Healthcare empfiehlt, dass Wartung, Inspektion und zertifizierte Prüfungen nur von autorisierten Servicevertretern / Händlern durchgeführt werden.

HINWEIS: Diese Empfehlungen entsprechen den Vorschriften für Großbritannien und Nordirland gemäß No2307 Health and Safety: The Lifting Operations and Lifting Equipment Regulations 1998 (Vorschriften zur Arbeitssicherheit für Hebevorgänge und Lifter). Außerhalb von Großbritannien und Nordirland gelten die Vorschriften des jeweiligen Landes.

Reinigung

Verwenden Sie zum Reinigen herkömmliche Seife und Wasser und/oder Desinfektionsmittel für harte Oberflächen. Starke chemische Reinigungsmittel oder Scheuermittel sollten nicht verwendet werden, da diese die Oberfläche des Lifters angreifen. Setzen Sie die elektrischen Teile keiner Feuchtigkeit aus. Nach der Reinigung sollte das Gerät gründlich getrocknet werden.

Entsorgung am Ende der Lebensdauer

Akku: Alle Akkus im Produkt und im eventuell vorhandenen Zubehör müssen separat dem Recycling zugeführt werden. Akkus sind gemäß den vor Ort oder landesweit geltenden Vorschriften zu entsorgen.

Gurte: Gurte und dazugehörige Materialien und Zubehör sind gemäß den vor Ort oder landesweit geltenden Vorschriften als brennbare Abfälle zu sortieren.

***DIESE PRÜFUNGEN SOLLTEN UMFASSEN:**

	Anfangs	Vor dem Gebrauch	Wartungsintervalle
1. SPREIZBÜGEL: Vergewissern Sie sich, dass der Spreizbügel frei dreh- und schwenkbar ist. Prüfen Sie den zentralen Stift auf Verschleiß. Prüfen Sie, dass der Stift fest mit dem Ausleger verbunden ist.	✓	✓	✓
2. AUSLEGER: Prüfen Sie die Verbindung von Ausleger und Mast. Stellen Sie sicher, dass der Ausleger sich nur geringfügig seitlich bewegen und sich frei im Lager des Auslegers drehen kann.	✓	✓	✓
3. MAST: Prüfen Sie die Funktion des Mast-Feststellknopfes. Achten Sie darauf, dass der Mast in der entsprechenden Buchse einrastet. Prüfen Sie den unteren Stellmotor.	✓	✓	✓
4. STELLMOTOR: Der Stellmotor muss, abgesehen vom Prüfen auf korrekten Betrieb und außergewöhnliche Geräusche, nicht gewartet werden.			✓
5. SMART MONITOR: Überprüfen Sie die Funktion der Not-Aus-Taste. Überprüfen Sie, dass der richtige Anschluss in die Buchse an der Handbedienung eingesteckt ist. Überprüfen Sie die Funktion der Handbedienung. Überprüfen Sie die redundanten Bedienelemente und dass sie ordnungsgemäß funktionieren.	✓	✓	✓
6. AKKUS: Die Akkus befinden sich in der Akkueinheit und müssen, abgesehen vom regelmäßigen Aufladen (siehe „Aufladen der Akkueinheit“), nicht gewartet werden. Achten Sie darauf, dass die Anschlüsse sauber bleiben.			✓
7. EINSTELLEN DER FAHRGESTELLBREITE: Prüfen Sie, dass das Fahrgestell nach innen und nach außen in vollem Umfang verstellt werden kann.	✓	✓	✓
8. LAUFROLLEN: Prüfen Sie, dass die Laufrollen fest mit dem Fahrgestell verbunden sind. Vergewissern Sie sich, dass die Laufrollen frei beweglich sind.	✓	✓	✓
9. REINIGUNG: Verwenden Sie zum Reinigen herkömmliche Seife und Wasser und/oder Desinfektionsmittel für harte Oberflächen. Starke chemische Reinigungsmittel oder Scheuermittel sollten nicht verwendet werden, da diese die Oberfläche des Lifters angreifen. Setzen Sie die elektrischen Teile keiner Feuchtigkeit aus. Nach der Reinigung sollte das Gerät gründlich getrocknet werden.		✓	✓
10. BELASTUNGSPRÜFUNG: Die Belastungsprüfung sollte gemäß den Prüfverfahren des Herstellers durchgeführt werden. Es wird eindringlich empfohlen, dass die Prüfungen nur von autorisierten Servicevertretern durchgeführt werden.			✓
11. FAHRGESTELL UND ROLLEN: Vergewissern Sie sich, dass das Fahrgestell auf glattem, ebenem Boden steht. (alle vier Rollen haben Bodenkontakt)	✓	✓	✓
12. GURTE: Prüfen Sie auf Verschleiß und Ausfransen.	✓	✓	✓
13. SCHMIERUNG: Schmieren Sie alle Drehgelenke, einschließlich Mast- und Auslegeranschlüsse, Pedal, Spreizbügelgelenk (nur nach Bedarf).			✓
14. HANDBEDIENUNG: Vergewissern Sie sich, dass sie vollständig in die Steuerung gesteckt ist.	✓	✓	
15. SCHNELLVERSCHLUSSSTIFT: Stellen Sie vor dem Heben sicher, dass der Stift fest sitzt, indem Sie auf das spitze Ende drücken.	✓	✓	

	Anfangs	Vor dem Gebrauch	Wartungsintervalle
16. BEFESTIGUNGSTEILE: Überprüfen Sie alle Muttern, Schrauben, Bolzen und Verbindungselemente auf übermäßige Abnutzung und festen Sitz. Bei Bedarf austauschen.			✓
17. EINGEBAUTE APC-HALTERUNG (MODELLSPEZIFISCH) Überprüfen Sie mit der Handbedienung, dass die eingebaute APC-Halterung in beide Richtungen funktioniert. Beim Verstellmotor ist keine Wartung erforderlich, dies muss nur geprüft werden, dass er richtig funktioniert und keine ungewöhnlichen Geräusche feststellbar sind.	✓	✓	✓

10. Technische Daten

Zulässige Belastung	500 lbs	227 kgs
Maximale Gesamtlänge.....	57,5 Zoll.....	1460 mm
Minimale Gesamtlänge.....	55,1 Zoll.....	1400 mm
Maximale Gesamthöhe	81,3 Zoll.....	2065 mm
Minimale Gesamthöhe	57,5 Zoll.....	1460 mm
Spreizbügel, maximale Höhe	75,2 Zoll.....	1910 mm
Spreizbügel, minimale Höhe	16,9 Zoll.....	430 mm
Höhe bei maximaler Reichweite.....	51,5 Zoll.....	1310 mm
Reichweite bei maximaler Höhe.....	25,6 Zoll.....	650 mm
Reichweite bei minimaler Höhe.....	15,7 Zoll.....	400 mm
Maximale Reichweite	36,6 Zoll.....	930 mm
Wenderadius	64,2 Zoll.....	1630 mm
Fahrgestell, gespreizt – Äußere Breite.....	45,2 Zoll.....	1150 mm
Fahrgestell, gespreizt – Innere Breite	40,1 Zoll.....	1020 mm
Fahrgestell, geschlossen – Äußere Breite	26,4 Zoll.....	670 mm
Fahrgestell, geschlossen – Innere Breite.....	21,6 Zoll.....	550 mm
Gesamthöhe des Fahrgestells	4,7 Zoll.....	120 mm
Bodenabstand	1,4 Zoll.....	35 mm
Doppelaufrollen vorne	4 Zoll	100 mm
Laufrollen mit Feststellbremse hinten	4 Zoll	100 mm

*Reichweite = Mitte Spreizbügel bis Vorderseite Mast

Vierpunktgestell (Messung bis zum oberen Ende der Passstifte)

Max. Höhe des Gestells	61 Zoll.....	1550 mm
Min. Höhe des Gestells (nutzbar).....	15,4 Zoll.....	390 mm

Gewicht

Mast, Fahrgestell, Ausleger.....	81,4 lbs.....	37 kgs
(inkl. 2-Punkt-Spreizbügel)		
Mast, Fahrgestell, Ausleger.....	101,4s lbs.....	46 kgs
(Mit eingebauter APC-Halterung)		
Akkueinheit.....	6,6 lbs.....	3 kgs
Gesamt.....	88 lbs.....	40 kgs
Fahrgestell (ohne Akku)	44 lbs.....	20 kgs
Mast und Ausleger (ohne Akku).....	37,4 lbs.....	17 kgs
Vierpunktgestell.....	13,2 lbs.....	6 kgs

Alle Maßangaben mit +5/-5 Grad Toleranz.

ANGABEN ZUR ELEKTRIK

AKKUS	24 V, aufladbar, geschlossene Blei/Säure-Akkus
AKKUKAPAZITÄT	3,2 Ah
EINGANGSSPANNUNG DES LADEGERÄTS (NENNWERT)	230VAC 50/60Hz
AUSGANGSSPANNUNG DES LADEGERÄTS (NENNWERT)	27,4/29,0 VDC@0,8A

SCHUTZ GEGEN STROMSCHLAG

LADEGERÄT	KLASSE II
PATIENTENLIFTER	INTERNE STROMQUELLE

STOSSFESTIGKEIT

LADEGERÄT	TYP B
PATIENTENLIFTER	TYP B

UMGEBUNGSBEDINGUNGEN

Außerhalb dieser Umgebungsbedingungen können Funktionsfähigkeit und Sicherheit unter Umständen beeinträchtigt werden.

BETRIEB

TEMPERATUR	>+5°C <+40°C
LUFTFEUCHTIGKEIT	20% - 90% @ 30°C (nicht kondensierend)
LUFTDRUCK	700 - 1060 hpa

LAGERUNG

TEMPERATUR	>-10°C <+50°C
LUFTFEUCHTIGKEIT	20% - 90% @ 30°C (nicht kondensierend)
LUFTDRUCK	700 - 1060 hpa

IP SCHUTZKLASSEN

STEUERKASTEN	IPX4
VERSTELLMOTOR	IPX4
EXTERNER LADEGERÄT	IPX5
BATTERIE	IPX5
HANDBEDIENUNG	IPX5

EINSCHALTDAUER

VERSTELLMOTOR	10% (2 Min. / 18 Min.)
LADEGERÄT	4 Stunden (ca.)

AKUSTIK

A-BEWERTETER SCHALLDRUCKPEGEL	64dB
-------------------------------------	------

WICHTIGE SYMBOLE:

Die folgenden Symbole werden am Ladegerät, am Steuerkasten und am Akku verwendet:



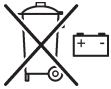
Bei diesem Produkt handelt es sich um ein Medizinprodukt gemäß der EU-Verordnung 2017/745 über Medizinprodukte.



Medizinisches elektrisches Gerät, Typ B, gemäß EN 60601-1



Geräte der Klasse 2



Die Akkus dürfen nicht als Hausmüll entsorgt werden. Akkus sind gemäß den vor Ort oder landesweit geltenden Vorschriften zu entsorgen.



Die elektronischen Bauteile dürfen nicht als Hausmüll entsorgt werden.



Für den Gebrauch im Haus



ACHTUNG, siehe die beigelegten Unterlagen



Lesen Sie vor der Verwendung die Bedienungsanleitung (Blauer Hintergrund).



Diese Kennzeichnung zeigt die Konformität mit den anwendbaren Anforderungen für Produkte an, die in Großbritannien verkauft werden.



Eine Kontaktstelle zwischen dem außerhalb Europas ansässigen Hersteller des Medizinprodukts, den zuständigen nationalen Behörden (Gesundheitsministerium) und den benannten Stellen.



Das UDI-System (Unique Device Identification – UDI) soll für eine einzige, weltweit harmonisierte Identifizierung von Medizinprodukten über den gesamten Vertriebsweg und Einsatz hinweg sorgen.



Zeigt das Unternehmen an, dass das Medizinprodukt in die Region einführt.

WEEE-Registriernummer der Herstellers: WEE/GG0464RZ

11. Garantie

Joerns Healthcare verfügt über ein Netz von autorisierten Fachhändlern und Kundendienstvertretungen, die Ihre Anfragen in Bezug auf Kauf, Garantie, Reparaturen und Wartung gerne beantworten. Wir empfehlen, die Inbetriebnahme unserer Produkte von Ihrem autorisierten Fachhändler oder Ihrer Kundendienstvertretung durchführen zu lassen.

Der Fachhändler oder die Kundendienstvertretung sind für das Garantieprogramm zuständig, deshalb ist es wichtig, dass Sie Namen, Adresse und Telefonnummer notieren, damit Sie sich an diesen bzw. diese wenden können, falls ein Problem auftritt. Wenn Sie sich nicht sicher sind, wo Ihr Patientenlifter gekauft wurde, teilen Sie Joerns Healthcare die Seriennummer des Patientenlifters mit und wir finden den Lieferanten für Sie.

Alle Garantieansprüche sind von der ordnungsgemäßen Benutzung und Wartung gemäß dem Benutzerhandbuch abhängig, das mit allen Patientenliftern mitgeliefert wird. Die Garantie gilt nicht für Schäden, die durch die Benutzung in ungeeigneten Umgebungsbedingungen oder dadurch verursacht wurden, dass die Wartung nicht gemäß dem Benutzer- und Wartungshandbuch durchgeführt wurde. Die Ihnen zustehenden gesetzlichen Rechte bleiben davon unberührt.

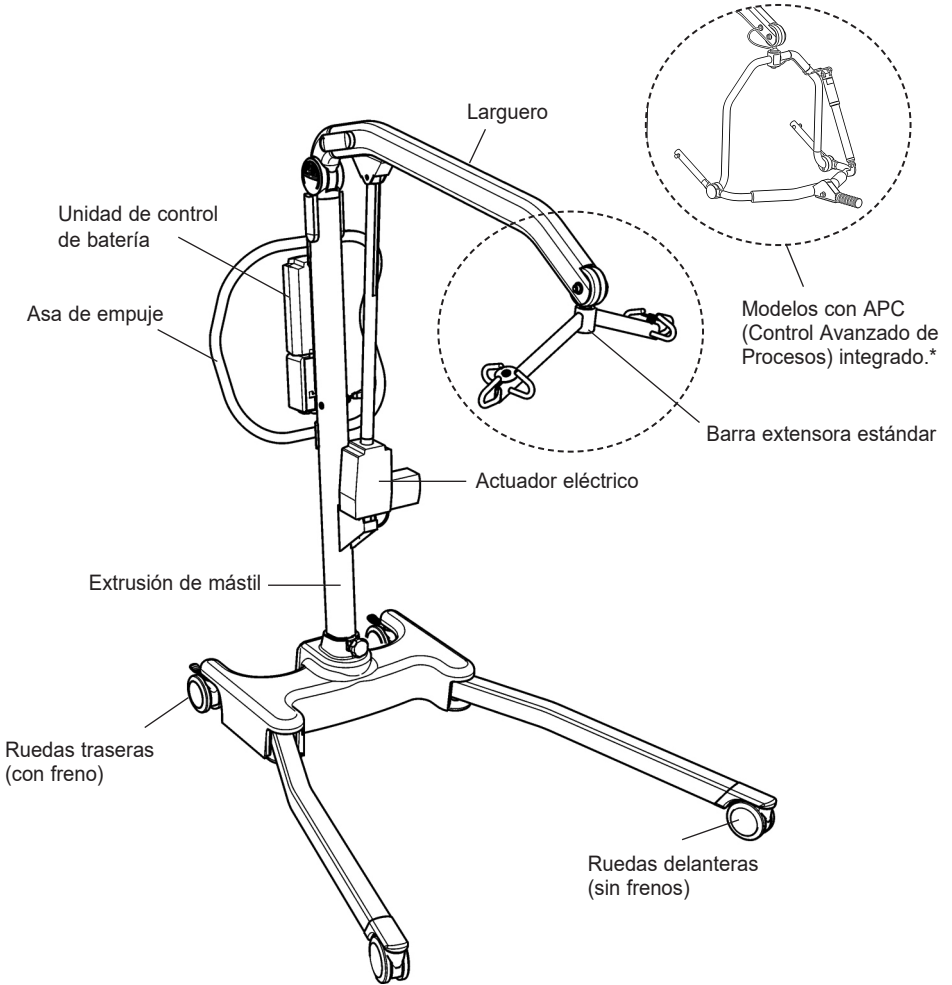
DENKEN SIE DARAN: Wenden Sie sich für Käufe, Reparaturen, Wartung und zertifizierte Wartung immer an Ihren autorisierten Fachhändler oder an Ihre Kundendienstvertretung.

Ihr Vertriebspartner:

Índice

1. El elevador de pacientes Oxford Presence	95
2. Introducción: Generalidades sobre el elevador	96
3. Instrucciones de montaje y encargo	97
4. Precauciones de seguridad.....	103
5. Monitor Smart y control de mano.....	105
6. Instrucciones de funcionamiento.....	110
7. Remoción de sistemas de barra espaciadora/percha	114
8. Instrucciones para la carga.....	116
9. Plan de mantenimiento y lista de comprobación diaria	118
10. Especificaciones técnicas	121
11. Garantía	124

1. El elevador de pacientes Oxford Presence



* El Control Avanzado de Procesos integrado no puede instalarse en modelos anteriores estándar de Presence. Esto debe especificarse en el momento de realizar el pedido. Como alternativa, puede solicitarse por separado un APC (Control Avanzado de Procesos) eléctrico opcional.

2. Introducción: Generalidades sobre el elevador

Presence está completamente montado, y ha sido verificado y certificado antes de ser embalado y enviado. El embalaje consiste en una caja de cartón resistente, hecha a medida, que se utiliza tanto para los envíos nacionales como para las exportaciones para asegurar que el equipo llegue intacto a su destino. Con cada elevador se envía una bolsa con varios documentos; esta bolsa debe conservarse para consultas futuras.

- CERTIFICADO DE VERIFICACIÓN • MANUAL DEL USUARIO • LISTA DE COMPROBACIÓN DE EMBALAJE

El CERTIFICADO DE PRUEBA es un documento importante y será necesario para sus registros de seguro. Tiene una validez de seis meses. Después de haber vencido este plazo deberá verificarse el elevador y realizarle el mantenimiento según el programa de mantenimiento. El mantenimiento y las verificaciones periódicas puede llevarlas a cabo su proveedor autorizado. Por favor, asegúrese de que el elevador está incluido en los planes de mantenimiento de su proveedor. Si no está seguro de cuáles son los requisitos de mantenimiento en su área geográfica, consulte con su proveedor y/o con una oficina de la administración local.

⚠ ADVERTENCIA

Antes de cada uso diario del elevador, debe llevar a cabo la inspección detallada en la lista de verificaciones diarias, presente en este manual.

La marca CE: El Oxford Presence lleva la marca CE y cumple con las siguientes directivas de la CE:



- Directiva de Dispositivos Médicos 2014/745
- Directiva EMC 2014/30/EU
- Directiva de bajo voltaje 2014/35/EU

Declaración de uso al que está destinado

El uso previsto para este dispositivo es la elevación y transferencia seguras de un individuo de una superficie de descanso a otra (como de una cama a una silla de ruedas, por ejemplo). Joerns Healthcare recomienda que la transferencia de pacientes se lleve a cabo posteriormente a una evaluación de riesgos, y de manera segura, en una breve distancia solamente.

El sistema Oxford Presence es un dispositivo de elevación de pacientes accionado de manera eléctrica, diseñado para apoyar y promover el manejo y transferencia seguros del paciente, tanto para el individuo que está siendo transportado como para la persona a cargo.

El elevador de pacientes Oxford Presence incorpora una barra extensora de seis puntos y está diseñado para ser utilizado con la amplia gama de arneses Oxford. La opción de cuna de 4 puntos está disponible como un accesorio adicional.

El elevador Oxford Presence está disponible en dos variantes: uno equipado con una barra separadora estándar de seis puntos y otro que cuenta con un APC integrado (de 4 puntos). El elevador Oxford Presence que incorpora la barra separadora de 6 puntos también es compatible con soportes de 4 puntos, disponible como accesorios adicionales. Todas las configuraciones están diseñadas para utilizarse con los arneses de la familia Oxford. A continuación citamos ejemplos de arneses adecuados para uso con este dispositivo:

- Oxford Quickfit
- Oxford Access
- Oxford Quickfit Deluxe
- Oxford Long Seat
- Oxford Full Back
- Oxford Comfort
- Oxford Silkfit

⚠ ADVERTENCIA

Solamente personal de salud capacitado y competente debería operar los elevadores de pacientes Oxford.

Vida útil estipulada previa al mantenimiento:

Los elevadores profesionales Oxford están diseñados y evaluados para durar un período mínimo de diez (10) años previamente a efectuarse algún tipo de mantenimiento, dependiendo del uso y cumplimiento con las tareas de mantenimiento establecidas en este manual. El uso diferente al establecido en estas instrucciones, podría comprometer la vida útil del producto.

Notificación de incidentes graves

En caso de que se produzca un incidente grave durante el uso de este producto, que afecte al paciente y/o al proveedor de cuidados, debe comunicarse con el fabricante del producto o el distribuidor autorizado. Si el incidente se produce dentro de la Unión Europea (UE), también se debe informar a la autoridad local competente del Estado miembro.

3. Instrucciones de montaje y encargo

Coloque la caja en una zona de trabajo despejada y ábrala con cuidado. La caja contiene:

- ELEVADOR OXFORD PRESENCE
- BOLSA CONTENIENDO DOCUMENTOS
- CONTROL DE MANO
- UNIDAD DE BATERÍA
- DIODO DE CARGA
- CARGADOR/SOPORTE DE SOBREMESA

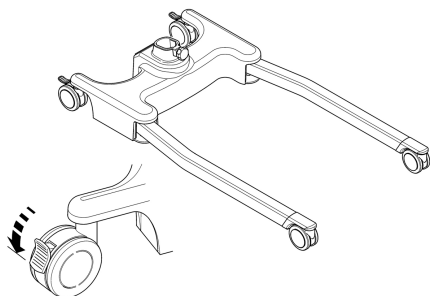
⚠ ADVERTENCIA

El Oxford Presence es pesado y habrá que tener cuidado al levantarlo. Puede que necesite ayuda para sacar el Oxford Presence de la caja.

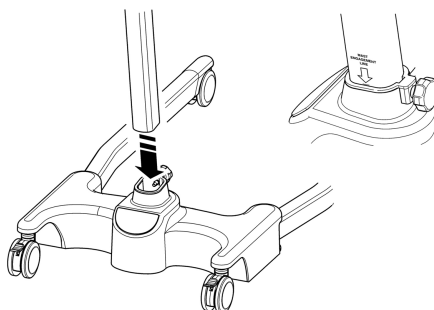
Montaje

1. Retire todas las piezas de la caja y colóquelas en el suelo, con cuidado de evitar que el equipo sufra daños en su superficie.

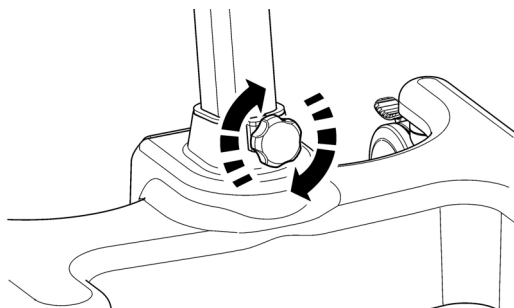
Coloque el chasis en un espacio despejado y aplique los frenos traseros.



2. Coloque el conjunto de mástil y pluma en el alojamiento del chasis.



3. Apriete el conjunto de mástil con el dispositivo de bloqueo del mástil, que está situado en la parte delantera del chasis.

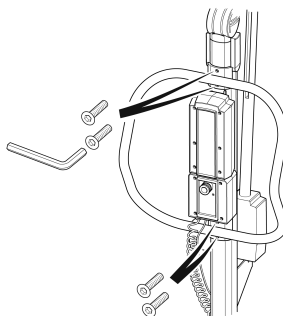
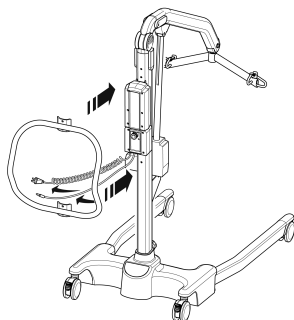


⚠ ADVERTENCIA

Evite que queden atrapados sus dedos. Mantenga los dedos alejados del extremo del mástil al insertarlo en el alojamiento del chasis. La etiqueta en el lateral del mástil indica el acoplamiento completo del mástil. El funcionamiento de la pata eléctrica no se producirá a no ser que el mástil esté completamente acoplado.

4. Gire el botón de bloqueo y apriételo con la mano
5. Alinear el ensamblaje de la empuñadura con la parte posterior del mástil y adherirlo utilizando las piezas de fijación proveídas. Las piezas de fijación y la llave de tuercas necesarias para adherir la empuñadura se encuentran, por razones de seguridad, en la carpeta de instrucciones.

NOTA: Cuando adhiera la empuñadura al mástil asegúrese de que antes de adherirla todos los cables móviles queden fuera de la empuñadura.



6. Ponga el paquete de alimentación eléctrica en la grúa y cierre el pestillo que asegura el paquete para que éste no se mueva. Hará un sonido de “clic” cuando esté cerrado.

Accesorio de montaje del APC integrado

SIGA ESTAS INSTRUCCIONES DE MANERA PUNTUAL

El APC integrado debe montarse al elevador y conectarse de manera eléctrica por una persona competente antes de su uso. El sistema APC integrado está montado al brazo del elevador mediante el pasador de liberación rápida estándar Presence con el añadido de la conexión eléctrica que se realiza dentro del brazo mismo.

CONEXIÓN

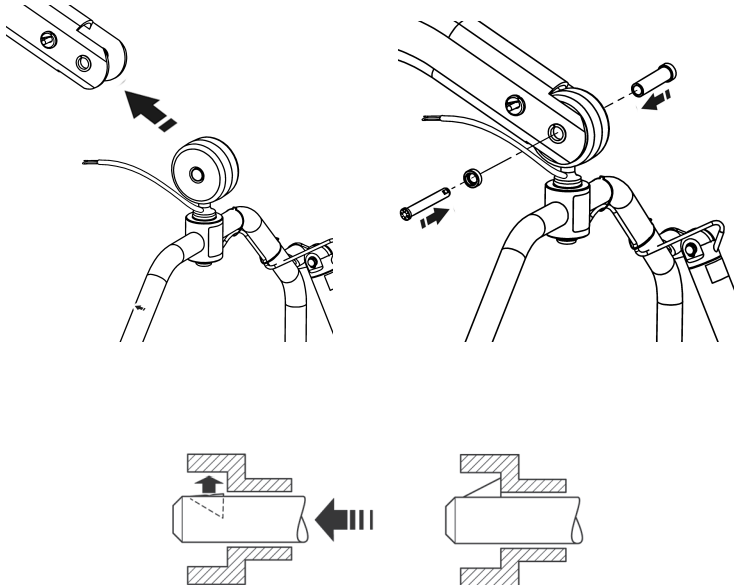
Para conectar el soporte:

Levante el APC integrado hacia la apertura del brazo.

Inserte la cubierta del pasador de seguridad por el tapón plástico del extremo a fin de sostener el sistema APC integrado.

Una vez alineado con la apertura del brazo, vuelva a insertar el pasador de seguridad de liberación rápida completamente en la cubierta hasta que quede colocado en la posición correcta. TIENE QUE VERIFICAR QUE EL PASADOR QUEDE FIRMEMENTE ASEGURADO.

Para ello, ejerza presión con el dedo en el extremo de la lengüeta. Si el pasador permanece inmóvil, es seguro usar el elevador.



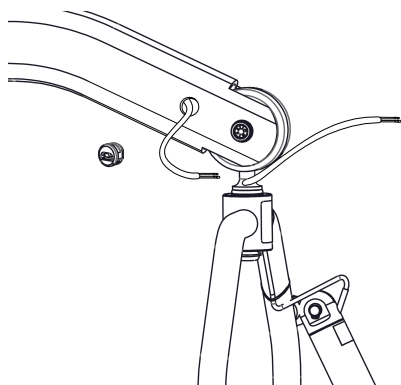
CONEXIÓN

Para realizar la conexión eléctrica:

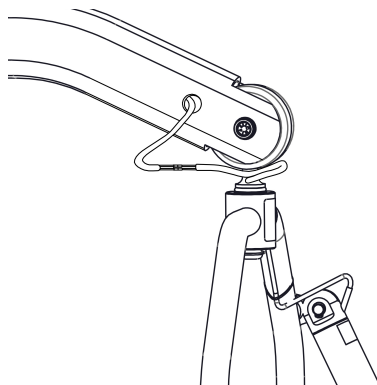
Asegúrese de que la batería esté desconectada y el panel de control esté apagada.

1. Extraiga del brazo la pinza de sujeción para el cable usando un destornillador pequeño de cabeza plana.
Encuentre y tire de los extremos de los cables a través del orificio en el lateral del brazo.
2. Conecte los terminales de los extremos de los cables a los terminales de los extremos de los cables del APC integrado.
3. Coloque la sujeción del cable alrededor del cable a 150 mm del punto donde el cable entra en el pasador de conexión del soporte.
4. Pase el exceso de cable, incluyendo los terminales, por el orificio y el brazo.
5. Vuelva a colocar la sujeción del cable en el orificio del brazo y asegúrese de que esté totalmente insertado.
6. Verifique todavía queden 150 mm de cable libre entre el brazo y el sistema APC integrado.

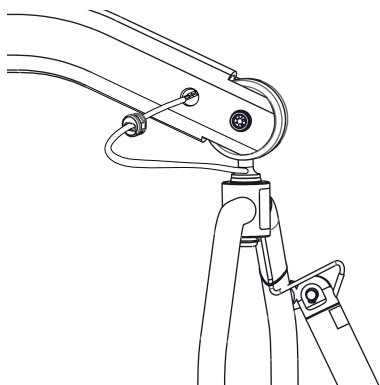
1



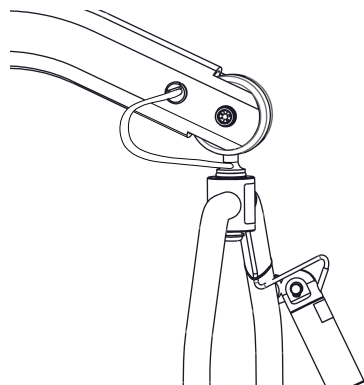
2



3



5

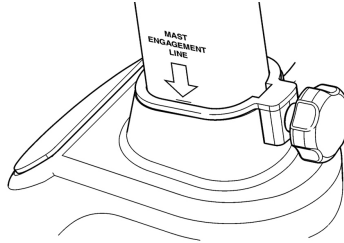


DESMONTAJE

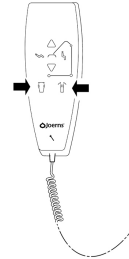
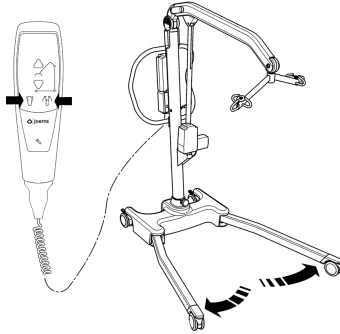
El elevador no debe desmontarse excepto para su mantenimiento, reparación y transporte si fuera necesario. Para ello, siga las instrucciones de montaje en orden inverso.

VERIFIQUE SIEMPRE LO SIGUIENTE ANTES DEL FUNCIONAMIENTO

- El mástil está completamente bloqueado en su posición.

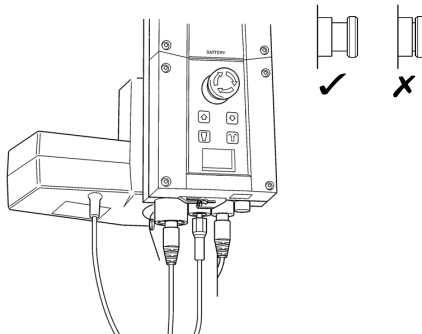


- Las patas del elevador se abren y cierran satisfactoriamente. (Esto se realiza mediante el control de mano).

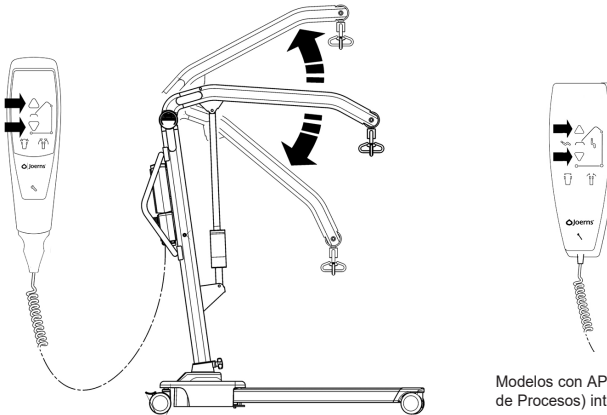


Modelos con APC (Control Avanzado de Procesos) integrado.*

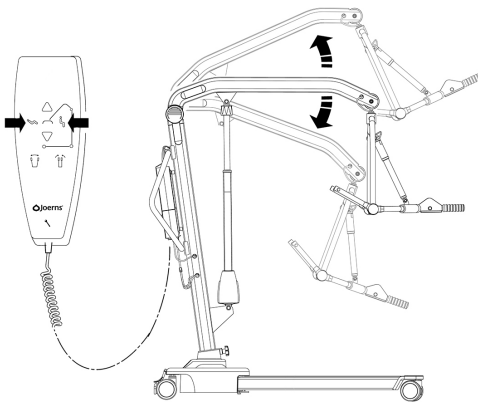
- El botón rojo de emergencia, situado en la parte posterior del cuadro de control, está en posición OFF (apagado).



- Pulse los botones hacia arriba y hacia abajo del control de mano y confirme que el larguero sube y baja.



- En los modelos con sistemas APC integrados, oprima los botones del control de mano que indican persona sentada y confirme las nuevas posiciones del soporte según corresponda.



4. Precauciones de seguridad

Por favor, lea y siga las precauciones de seguridad que figuran más abajo. El funcionamiento y uso del elevador para pacientes Oxford es sencillo y fácil de comprender. Siguiendo estas precauciones básicas de seguridad, las operaciones de elevación serán fáciles y estarán libres de problemas.

LEA Y COMPRENDA EL MANUAL DE INSTRUCCIONES DEL USUARIO ANTES DE UTILIZAR SU ELEVADOR “PRESENCE”

ADVERTENCIA: Información de seguridad importante sobre peligros que podrían ocasionar lesiones serias.

PRECAUCIÓN: Información para evitar daños al aparato.

NOTA: Información a la cual usted debe prestar atención especial.

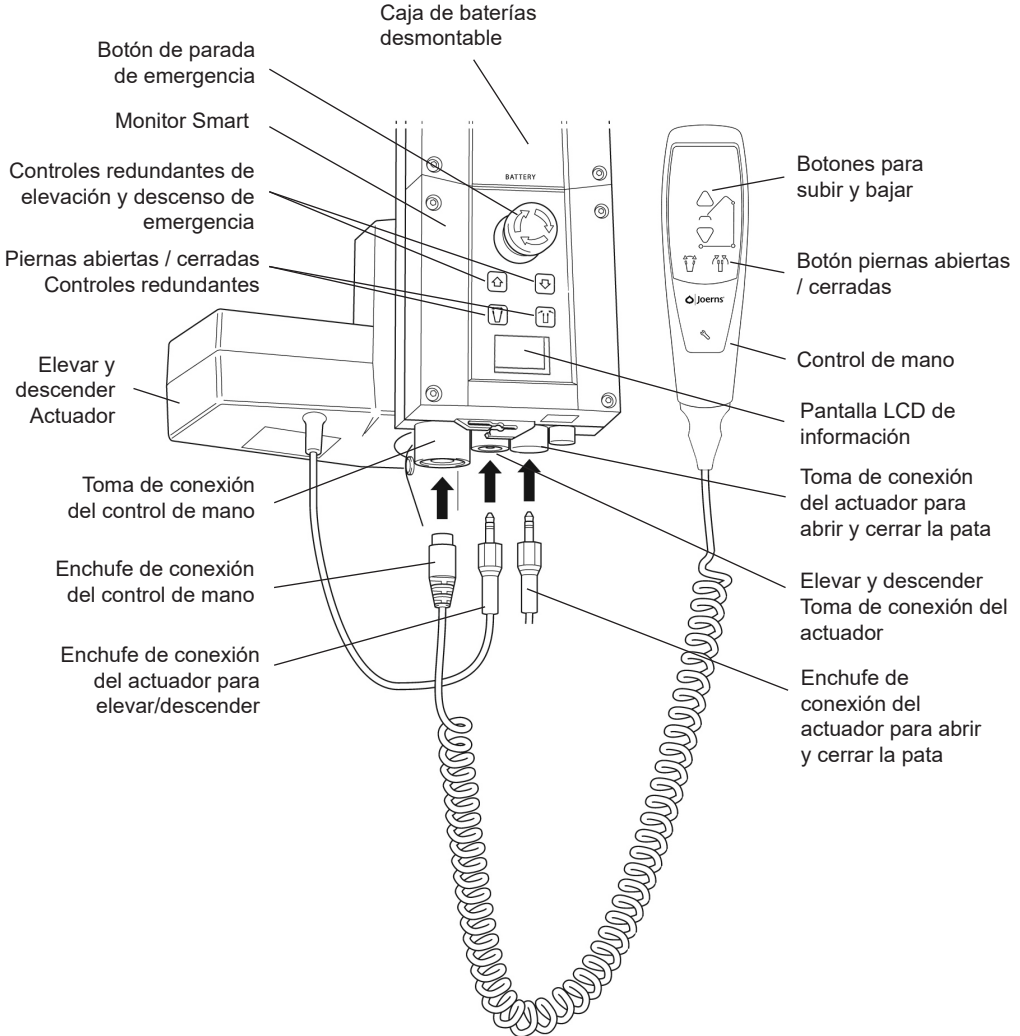
ADVERTENCIA

- **Solamente personal de salud capacitado y competente debería operar los elevadores de pacientes Oxford.**
- **SIEMPRE planifique sus operaciones de elevación antes de comenzar.**
- **SIEMPRE verifique la LISTA DE COMPROBACIÓN DIARIA (Más adelante en este manual) antes de utilizar el elevador.**
- **SIEMPRE familiarícese con el control de funcionamiento y características de seguridad de un elevador antes de levantar a un paciente.**
- **NO utilice una eslinga a no ser que esté recomendada para su uso con el elevador.**
- **Verifique SIEMPRE que la eslinga es adecuada para el paciente en particular y que su tamaño y capacidad son correctos.**
- **No utilice NUNCA una eslinga si está deshilachada o presenta signos de daño.**
- **Encaje SIEMPRE la eslinga de acuerdo con las instrucciones que se indican (instrucciones del usuario).**
- **SIEMPRE compruebe que la carga de trabajo de seguridad del elevador es adecuada para el peso del paciente.**
- **SIEMPRE lleve a cabo las operaciones de elevación de acuerdo con las instrucciones en el manual del usuario.**
- **NUNCA desconecte o deje de realizar un control de seguridad o característica de seguridad porque parezca más fácil para el funcionamiento del elevador.**
- **NO levante a un paciente con los frenos de las ruedas activados. Deje siempre que el elevador encuentre el centro correcto de gravedad.**
- **NO intente maniobrar el elevador empujando el mástil, el larguero o al paciente.**
- **SIEMPRE maniobre el elevador por el asidero.**
- **SIEMPRE haga descender al paciente a la posición cómoda más baja posible antes de transferirlo.**
- **NO empuje un elevador cargado a velocidades que superen un ritmo de caminar lento (3 kilómetros/hora, 0,8 metros/segundo).**

- Utilice **SIEMPRE** el elevador sobre terreno llano y liso. En especial, si está cargada con el paciente.
- **NO** intente empujar/tirar de un elevador cargado sobre una obstrucción en el suelo, que las ruedas no sean capaces de salvar.
- **NUNCA** fuerce un control de funcionamiento/seguridad. Todos los controles son fáciles de utilizar y no requieren el uso de una fuerza excesiva.
- La carga **MÍNIMA** necesaria para bajar el elevador de manera manual utilizando la función mecánica de descenso de emergencia equivale a 30 kg.
- **NO** aparque un elevador cargado sobre **NINGUNA** superficie en cuesta.
- **NO** utilice elevadores eléctricos en una ducha.
- **NO** cargue un elevador eléctrico en un baño o en una ducha.
- **NO** levante a un paciente a no ser que esté entrenado y sea competente para hacerlo.
- **SU** elevador está destinado a levantar pacientes. **NO** lo utilice, ni permita que se utilice, para cualquier otro fin.
- **NO** lleve el elevador dando tumbos hacia abajo en escaleras, tanto si está cargado como si está descargado.
- **NO** intente pasar con un elevador cargado por una pendiente que supere 1:12 (aproximadamente 5 grados).
- **NO** intente pasar con el elevador por una pendiente sin que haya alguien para ayudarlo.
- **SIEMPRE** compruebe que el elevador no esté cargándose antes de moverlo, ya que la conexión eléctrica podría dañarse.

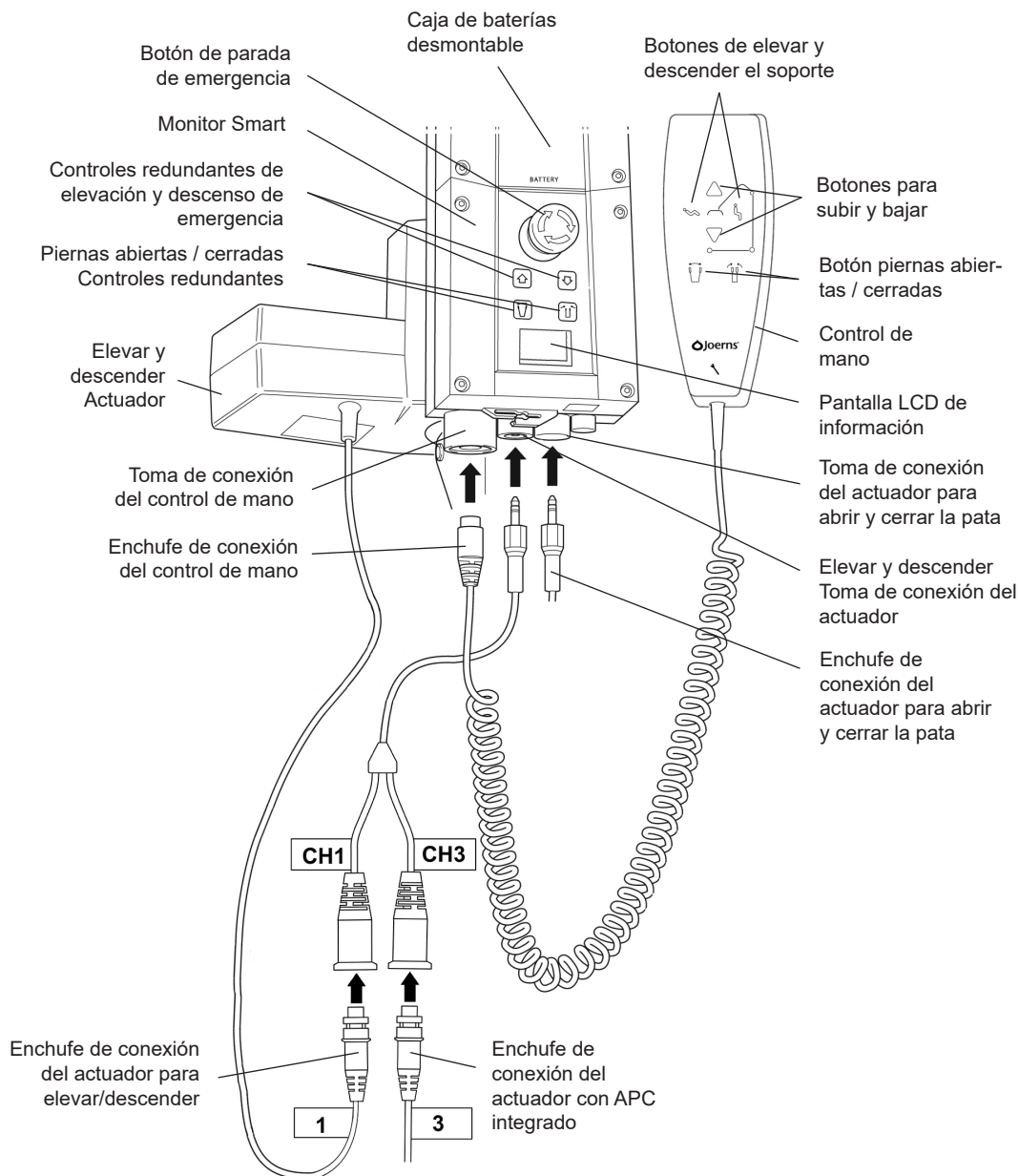
5. Monitor Smart y control de mano

Presence estándar



Presence instalada con APC (Control Avanzado de Procesos) integrado

En los modelos con sistema APC integrado, los cables del auricular y el actuador se conectan como sigue:



Uso destinado

El monitor inteligente, Oxford Smart Monitor, es un sistema de control para los elevadores Oxford Mobile. El monitor inteligente almacena información útil sobre el mantenimiento del elevador disponible para consultar cuando sea necesario. Esta información sobre el mantenimiento incluye:

- Cantidad de ciclos de elevaciones de pacientes
- Total de trabajo ejecutado por el actuador
- Cantidad de sobrecargas de elevación (intentos de elevación por encima de la carga de trabajo máxima permitida)
- Cantidad de días desde el último intervalo de mantenimiento

El monitor Smart Oxford incorpora un microprocesador que permite leer los datos de mantenimiento a través de la pantalla LCD integrada.

Características

- Recopilación de datos en el panel de control con datos visualizados en la pantalla LCD
- Contador de trabajo
- Contador de ciclos inteligente
- Indicador de tareas de mantenimiento
- Indicador de frecuencia de mantenimiento
- Información de sobrecarga
- Indicador de nivel de carga de las baterías de tres pasos


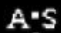


Beneficios

- Mayor seguridad tanto para el paciente como para el proveedor de cuidados
- Datos de mantenimiento precisos con solo tocar un botón
- Vida útil del producto optimizada
- Facilidad para realizar tareas de mantenimiento tanto para ingenieros como para los técnicos

Pantalla LCD

El monitor Smart Oxford incorpora un microprocesador que permite emitir la lectura de los datos de mantenimiento a través de la pantalla LCD integrada. Es posible emitir la lectura de los totales de los ciclos de elevación, los totales de trabajos realizados, de sobrecargas y la cantidad de días desde el último mantenimiento, datos que pueden utilizarse para evaluar el estado de el actuador de elevación de manera fácil y rápida.

Puede acceder a esta información pulsando durante medio segundo el botón "UP" (ARRIBA) del control de mano del usuario o el botón redundante "UP" (ARRIBA) del Monitor inteligente.

	12034	— Total de ciclos de elevación
	1257000	— Total de trabajo ejecutado (Amps * Segundos)
	7	— Cantidad de sobrecargas
	90/180	— Cantidad de días (desde el último mantenimiento) / Cantidad de días (entre mantenimientos)

Información sobre mantenimiento y uso



Cuando es momento de realizar el mantenimiento, aparecerá en la pantalla el símbolo correspondiente al mantenimiento. Además, cuando está activado el control de mano del usuario, el monitor inteligente emitirá una señal sonora para avisar al usuario que se necesita una operación de mantenimiento.

El símbolo de mantenimiento aparecerá cada vez que pulse las teclas hacia arriba o abajo en el control de mano del usuario. Cuando aparezca el símbolo de mantenimiento, póngase en contacto de inmediato con su agente de servicio autorizado para organizar el mantenimiento.

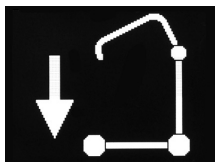


Si el elevador se detiene debido a una sobrecarga (si intenta levantar más peso de la carga máxima segura) aparecerá el símbolo de sobrecarga en la pantalla LCD y el elevador dejará de funcionar hasta que haya eliminado la carga adicional (por encima de la carga máxima segura).

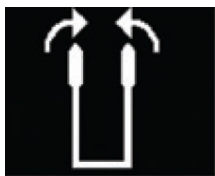
ADVERTENCIA

Si la pantalla LCD del monitor inteligente hubiese registrado una sobrecarga, Joerns Healthcare recomienda que TODAS las tareas diarias de control se lleven a cabo en el elevador antes de su utilización (para obtener una lista de controles diarios, consulte el manual de usuario del elevador). Joerns Healthcare también recomienda que se ponga en contacto con su agente autorizado de servicios Oxford para obtener más orientación.

Controles redundantes integrados



Los controles redundantes integrados permiten que el elevador suba o baje en caso de emergencia.

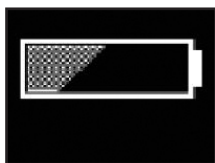


Si su sistema de elevación incorpora tecnología de posicionamiento de piernas eléctrico, hay controles redundantes tanto para abrir como para cerrar las piernas.

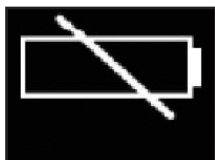
Información sobre la batería



Si aparece el icono de la batería completa, significa que la batería está completamente cargada y lista para usar.



Si aparece el icono de la batería a la mitad, significa que necesita cargar la batería.



Si aparece el icono de la batería vacía, significa que la batería carece de capacidad y debe cargarla de inmediato.

⚠ ADVERTENCIA

A fin de evitar posibles daños permanentes en la batería, debe colocar la batería a cargar en cuanto la pantalla indique el símbolo de la batería a la mitad.

6. Instrucciones de funcionamiento

⚠ ADVERTENCIA

Solamente personal de salud capacitado y competente debería operar los elevadores de pacientes Oxford.

1. Ajuste de las patas

Las patas del Oxford Presence son ajustables eléctricamente en cuanto a su anchura. Las patas pueden abrirse para permitir el acceso alrededor de sillas o de sillas de ruedas. Para transferir y para pasar por pasillos estrechos, las patas del elevador deben estar en posición cerrada.

Ajuste eléctrico de las patas - se consigue pulsando los botones apropiados en el control de mano. Las patas se bloquearán cuando se suelte el conmutador del control de mano.

2. Ruedas y frenos

El elevador tiene dos ruedas con frenos, que se pueden aplicar para dejarlo aparcado. Cuando se realice la elevación, las ruedas deben dejarse libres y los frenos sin aplicar. De esta forma, el elevador podrá mover el centro de gravedad conforme se realiza la elevación. Si se aplican los frenos, será el paciente el que se mueva hacia el centro de gravedad y esto puede ser desconcertante e incómodo.

3. Elevación y descenso del larguero

El movimiento del larguero se consigue mediante un potente actuador eléctrico, que está controlado por un sencillo control de mano. El control de mano tiene dos botones, con flechas direccionales ARRIBA y ABAJO. El actuador se detiene automáticamente en el límite del desplazamiento en ambas direcciones. El control de mano se enchufa en un enchufe en la base del cuadro de control. Hay un gancho en la parte posterior del control de mano, que sirve para dejarlo en el mástil o en el larguero cuando no esté en uso.

4. Reposicionamiento del sistema APC integrado (sólo disponible en algunos modelos)

Para los modelos con funciones integradas de APC, puede ajustar el actuador eléctrico del soporte mediante el control de mano. El control de mano cuenta con dos botones con el dibujo de una persona sentada en dos grados de inclinación distintos. Utilice estos botones para mover el soporte. El actuador se detiene automáticamente al llegar al límite del recorrido de ambas direcciones. La posición del soporte quedará fija en su sitio cada vez que suelte el botón del control de mano.

5. Parara de emergencia

El botón de parada de emergencia rojo está situado en la parte delantera del cuadro de control y se activa pulsándolo. Al pulsarlo se interrumpe la alimentación eléctrica al elevador y sólo se puede desarmar girando el botón en sentido contrario a las agujas del reloj y soltándolo.



6. Descenso/elevación eléctricos de emergencia

Los botones de descenso (down) y elevación (up) de emergencia están situados en la parte delantera del cuadro de control. Se accionan insertando la punta de un bolígrafo en el botón marcado como â. Esto hará que el larguero suba o baje si falla el control de mano en cualquier momento.

7. Controles redundantes

Todos los elevadores Oxford están equipados con botones de elevación y descenso en el panel de control. Estos están ubicados debajo del botón de parada de emergencia y se pueden utilizar para bajar o subir al paciente si se produjese un fallo en el control de mano.

8. Descenso mecánico de emergencia

En caso de producirse un fallo eléctrico total, el actuador eléctrico contiene un dispositivo de descenso mecánico activado con muelles (CUBO ROJO). Este dispositivo solo podrá activarse cuando el elevador tenga carga. Para activarlo, tiene que hacerlo girar a mano y soltarlo. Esto producirá un descenso lento. Repita el proceso hasta haber descendido al paciente de manera segura.

⚠ ADVERTENCIA

Si utiliza esta función, tendrá que llevar el elevador con un ingeniero competente, quien debe realizar una verificación general a posteriori.

9. Baterías

Las baterías están protegidas de una fuerte descarga por una ALARMA DE VOLTAJE BAJO. Esta alarma dará un sonido cuando las baterías necesiten recarga y se esté manejando el control de mano. No sonará si el control de mano no se está manejando.

PRECAUCIÓN: NO IGNORE ESTA ALARMA DE ADVERTENCIA. Complete la operación de elevación y coloque el elevador en carga (vea las instrucciones de carga).

10. Eslingas

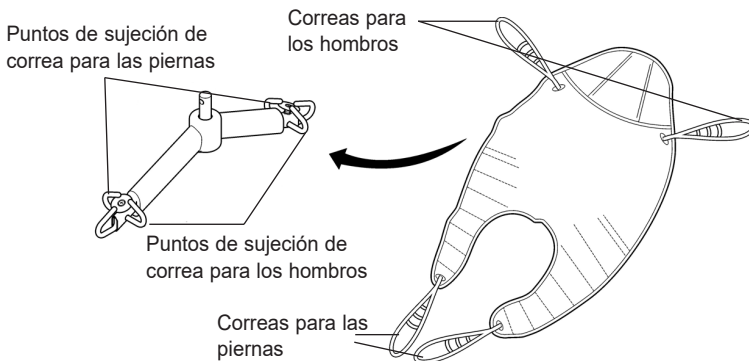
El Oxford Presence tiene la opción tanto de una barra de extensión de seis puntos como de percha de cuatro puntos. Ambos sistemas utilizan diferentes métodos de sujeción y eslingas.

El sistema de seis puntos utiliza eslingas con bucles de tejido, que permiten un ajuste de posicionamiento seleccionando diferentes bucles coloreados. El sistema de cuatro puntos utiliza el sistema de clip de seguridad Securi3 y el ajuste se realiza girando la percha de cuatro puntos cualquiera ascenso o descenso.

Eslingas de correa de bucle: Oxford Quickfit, Full Back, Quickfit Deluxe, Long Seat, Access y Silkfit

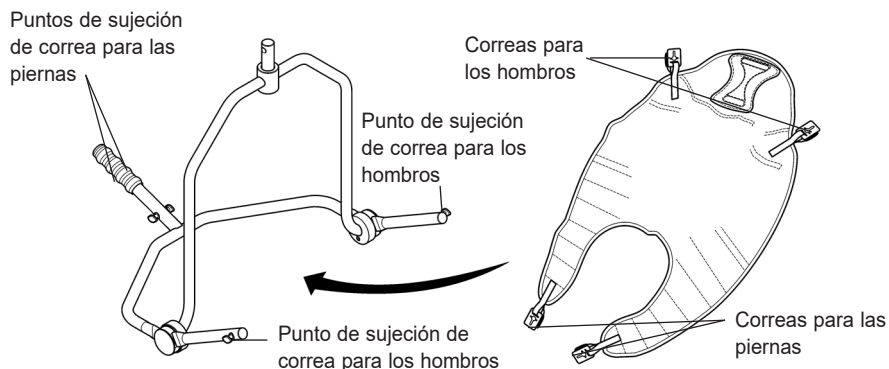
Eslingas de clip de seguridad: Oxford Comfort

El sistema de dos puntos se sujeta a los ganchos de la barra de extensión por medio de correas de bucle (como se muestran más abajo); cada eslinga viene con sus correspondientes instrucciones. Por favor, estudie la guía de instrucciones antes del uso.

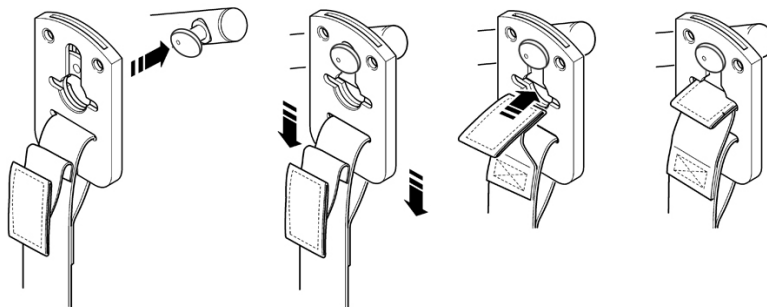


Barra de extensión de 6 puntos; ejemplo de la barra de extensión de 6 puntos con sujeciones de bucle.

La eslinga del sistema de cuatro puntos va sujeta a los tachones de la percha por medio de un sistema de clip de seguridad (como se muestra más abajo); cada eslinga se suministra con instrucciones. Por favor, estudie la guía de instrucciones antes del uso.



Percha de 4 puntos; ejemplo de la eslinga de la percha de 4 puntos con sistema de clip de seguridad.



Sistema de fijación de eslinga Securi3. Ejemplo de instalación.

NOTA: Para obtener instrucciones de colocación más detalladas, consulte la guía del usuario proporcionada con cada eslinga.

ADVERTENCIA

Joerns Healthcare recomienda comprobar las eslingas regularmente y, en especial, antes del uso por si están deshilachadas o dañadas. NO utilice eslingas que estén desgastadas o dañadas.

ADVERTENCIA

OXFORD RECOMIENDA UTILIZAR PRODUCTOS AUTÉNTICOS OXFORD. Los sistemas Oxford de eslingas y elevación tienen un diseño que los hace compatibles entre sí. Para obtener información y consejos específicos acerca del uso y compatibilidad de las eslingas, consulte la etiqueta de la eslinga, o bien comuníquese con su distribuidor local de mercado o con Joerns Healthcare.

ADVERTENCIA

Consulte la capacidad de peso máximo del elevador. La capacidad de la eslinga está limitada por la capacidad máxima del elevador.

7. Remoción de sistemas de barra espaciadora/ percha

⚠ ADVERTENCIA

Si su Oxford Presence está equipada con un sistema de APC integrado, no intente extraerlo. El cable de alimentación no permitirá la eliminación efectiva, y podría dañar el elevador en consecuencia.

SIGA ESTAS INSTRUCCIONES DE MANERA EXACTA

El ascensor actual tiene la opción de usar tanto la barra espaciadora de seis puntos ou la percha de cuatro puntos. La remoción de cualquiera de estos sistemas se realiza de manera fácil usando un pasador de liberación rápida. Esto puede realizarse rápida y fácilmente, sin embargo, debe leer las siguientes instrucciones de seguridad para garantizar que la barra espaciadora/percha está segura en su posición antes de usar.

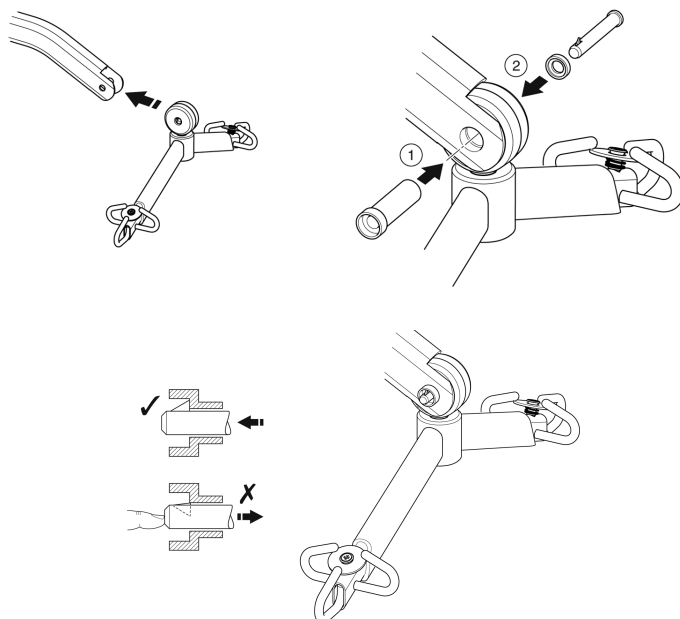
CONEXIÓN

Para conectar, eleve la barra extensora/ soporte hacia la apertura del brazo.

Inserte la manga de la clavija a través de la tapa de plástico y para sostener la barra espaciadora/percha.

Una vez alineado en la ranura del larguero, vuelva a insertar completamente el pasador de liberación rápida en la manga, hasta que caiga en su posición. **DEBE VERIFICAR QUE EL PASADOR ESTÉ AJUSTADO DE MANERA SEGURA**

Para hacerlo, oprima con el dedo dentro el extremo de la lengüeta. Si el pasador permanece estacionario, el elevador puede usarse con seguridad.



REMOCIÓN

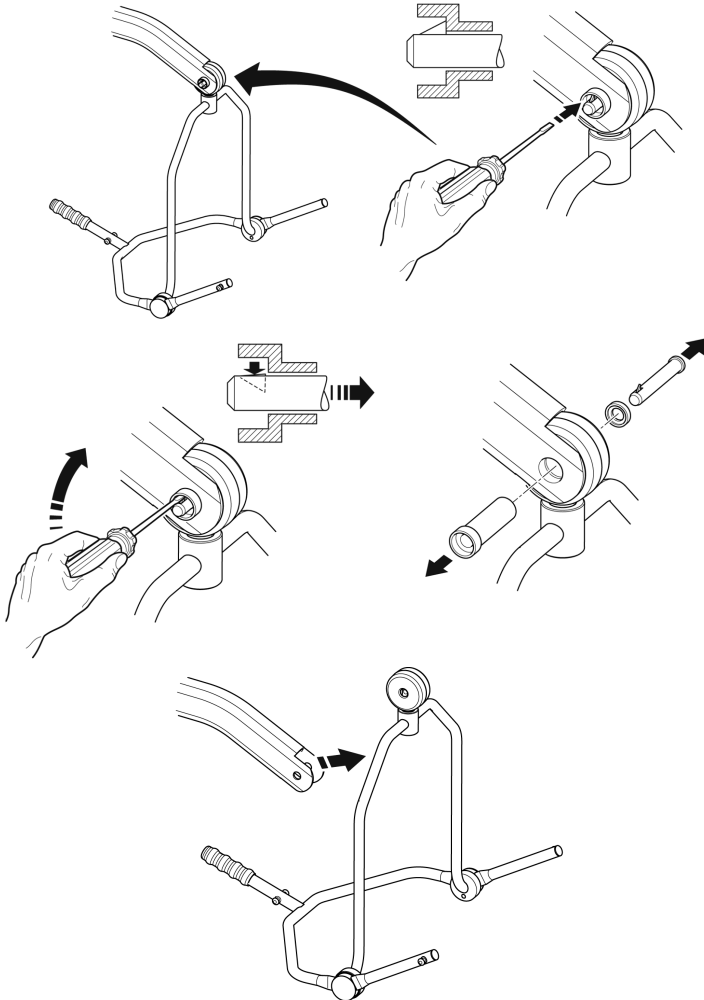
⚠ ADVERTENCIA

Si su Oxford Presence está equipada con un sistema de APC integrado, no intente extraerlo. El cable de alimentación no permitirá la eliminación efectiva, y podría dañar el elevador en consecuencia.

PRECAUCIÓN: Asegúrese de sostener el peso de la barra de ensanchamiento/percha antes de retirar la claveta.

Para quitar el pasador, oprima la lengüeta del muelle (usando un destornillador eléctrico de hoja plana o semejante) y saque el pasador.

Sostenga la barra espaciadora/percha y luego tire de la manga del pasador en la dirección opuesta, sacándola completamente del larguero. Esto liberará la barra espaciadora por completo.



8. Instrucciones para la carga

Cuando haya que cargar la unidad de alimentación, habrá que extraerla del elevador y colocarla en el cargador de sobremesa.

Joerns Healthcare Ltd recomienda comprar una unidad adicional de batería, para tener una de las dos unidades cargada en todo momento.

1. Extraiga la unidad de alimentación del elevador. La unidad de está sujeta con un pestillo simple en la parte superior de la unidad de alimentación. Levante el pestillo y la unidad de alimentación quedará suelta.
2. Coloque la unidad de alimentación en el cargador. La colocación y sujeción de la unidad de alimentación al cargador se realiza por el mismo sistema que el empleado en el elevador.
3. Enchufe el cable del cargador a una fuente de alimentación eléctrica y ponga el conmutador en ON.
4. La carga es automática y las baterías quedarán completamente cargadas en un plazo de ocho a doce horas. **Nota:** Incluso si el cargador se deja enchufado durante mucho tiempo, no permitirá que las baterías se carguen en exceso.
 - a) La luz verde indica el paso de corriente eléctrica.
 - b) La luz amarilla indica que la batería se está cargando.
 - c) Cuando la luz amarilla se apaga, la batería se habrá cargado por completo.

Nota: La carga puede tomar hasta cuatro horas en completarse.
Recomendamos cargar la batería en cuanto la reciba.

5. Para volver a poner en funcionamiento el elevador, desconecte de la red poniendo el conmutador en OFF y retire la unidad de alimentación del cargador. Coloque la unidad de alimentación de nuevo en el elevador y asegúrese de que el pestillo que la sujeta está completamente cerrado. Cuando esté correctamente colocada, oirá un “clic”. La carga del elevador eléctrico Oxford es sencilla y no tienen por qué surgir complicaciones, pero es importante seguir rigurosamente las instrucciones de carga. Preste especial atención a los siguientes aspectos; le ayudará a evitar los problemas que supone la descarga de las baterías.

ADVERTENCIA

- **La batería, el cargador, el control de mano y la caja de control NO deben ser abiertos por personal no autorizado. (Comuníquese con el distribuidor por reparaciones y reclamos de la garantía).**
- **NO toque las terminales de la batería ni el cargador.**
- **MANTENGA las baterías completamente cargadas. Ponga la batería a cargar siempre que no esté utilizando el dispositivo. Si le resultase más práctico, póngala a cargar durante la noche. El cargador no permitirá que las baterías se sobrecarguen.**
- **NUNCA permita que las baterías se gasten por completo. No bien suene la alarma de advertencia, complete la operación de elevación y ponga a cargar la batería.**
- **A fin de evitar posibles daños permanentes en la batería, debe colocar la batería a cargar en cuanto la pantalla indique el símbolo de la batería a la mitad.**

- **NUNCA** almacene la batería durante largos períodos de tiempo sin realizar cargas periódicas durante el período de desuso.
- **SIEMPRE** compruebe que la toma del cargador a la red de suministro eléctrico esté apagada antes de conectar o desconectar la batería.
- **NUNCA** deje la batería conectada con la toma del cargador a la red de suministro eléctrico apagada.
- **NO** deje el cargador encendido con la batería desconectada.
- **NO** use el elevador mientras carga la batería.
- **COMPRUEBE** que el elevador no se esté cargando antes de desplazarlo, ya que podría dañar la conexión eléctrica.
- **NUNCA** desconecte la toma del cargador tirando del cable.
- **PROCURE** no tropezar con el cable del cargador.
- **NO** cargue el elevador eléctrico en el cuarto de baño.

9. Plan de mantenimiento y lista de comprobación diaria

Todos los productos Oxford requieren un mantenimiento mínimo; sin embargo, es necesario llevar a cabo algunas comprobaciones y procedimientos de seguridad. A continuación se indica un plan de tareas DIARIAS. Realizar comprobaciones diarias y mantenimiento, inspección y prueba cada seis meses asegurará que el elevador se mantiene en condiciones óptimas de funcionamiento. Si lo pide, le enviaremos una lista de piezas de repuesto.

La PRUEBA DE CARGA y la certificación sólo deben llevarse a cabo por personal cualificado o por un agente / concesionario de servicio autorizado.

LISTA DE COMPROBACIÓN DIARIA: Joerns Healthcare recomienda encarecidamente realizar las siguientes comprobaciones de manera diaria y antes de utilizar el elevador.

- ASEGÚRESE de que las ruedas del elevador se mueven con normalidad.
- ASEGÚRESE de que el soporte de seis puntos gira y se balancea con libertad de movimientos.
- EXAMINE y COMPRUEBE que el soporte de seis puntos está firmemente sujeto al brazo.
- COMPRUEBE que los amarres y ganchos del arnés del soporte de seis puntos no presentan daños ni signos de desgaste excesivo.
- COMPRUEBE que las patas abren y cierran correctamente y pueden quedar trabados con seguridad en todas las posiciones abiertas y cerradas.
- ACCIONE el control de mano para comprobar que el brazo sube y baja de manera correcta.
- OPERAR el control manual para confirmar que el soporte de posicionamiento eléctrico integrado está operativo (modelo específico)
- ASEGÚRESE de que el panel de visualización de del control NO PRESENTE un símbolo de llave encendido ni se oiga una señal al pulsar los botones de subir y bajar.
- COMPRUEBE el buen funcionamiento del botón de parada de emergencia.
- EXAMINE los arneses para determinar si se ha producido un desgaste excesivo. NO utilice los arneses si detecta signos de daños o desgaste.
- CONFIRME que no suene la alarma de baja batería del elevador cuando acciona el control de mano. Si sonase la alarma, NO use el dispositivo y ponga a cargar las baterías.
- ASEGÚRESE de que los puntos de conexión del actuador estén seguros.
- Realice una INSPECCIÓN VISUAL de todas las piezas de fijación y anclaje y asegúrese de que todas ellas están instaladas de forma segura antes de su uso.

Mantenimiento, Inspección Y Prueba

Joerns Healthcare recomienda realizar inspecciones y comprobaciones completas y periódicas del elevador, los accesorios de elevación, las eslingas, balanzas, etc. La frecuencia de la verificación varía de acuerdo con la localidad; compruebe con su distribuidor local o entidad gubernamental, según corresponda, en lo referente a la frecuencia de verificación estipulada. Todas las verificaciones y pruebas deben llevarse a cabo según las recomendaciones y procedimientos explicados en el presente manual. Joerns Healthcare recomienda que el mantenimiento, inspección y comprobación certificada las lleve a cabo un agente o proveedor de mantenimiento autorizado.

NOTA: Estas recomendaciones se dan en cumplimiento de los requisitos Salud y Seguridad N° 2307 de 1998: Normas relativas a Operaciones de Elevación y Equipo de Elevación de 1998. Esta norma es del Reino Unido. Fuera del Reino Unido, revise los requisitos aplicables a su país.

Limpieza

Limpie con jabón corriente y agua, y/o con cualquier desinfectante para superficies duras. Deben evitarse limpiadores químicos o abrasivos, ya que pueden dañar el acabado de la superficie del elevador. No moje ninguna pieza eléctrica. Después de la limpieza, la unidad debe secarse completamente.

Eliminación al final de la vida útil

Batería: Todas las baterías del producto y los accesorios que lo acompañan deben reciclarse por separado. Las baterías deben desecharse de acuerdo con las normas o reglamentos locales o nacionales.

Arneses: Los arneses y accesorios de material asociados deben clasificarse como residuos combustibles de acuerdo con las normativas locales o nacionales.

***ESTAS COMPROBACIONES DEBEN INCLUIR:**

	Inicialmente	Antes del uso	Intervalos de servicio
1. BARRA DE EXTENSIÓN: Compruebe la barra de extensión para verificar si tiene libertad de rotación y giro. Compruebe si hay desgaste en el pivote central. Compruebe que está sujeta firmemente al larguero.	✓	✓	✓
2. LARGUERO: Compruebe la sujeción del larguero al mástil. Asegúrese de que sólo exista un mínimo movimiento lateral del larguero y de que el larguero esté libre para girar en su rodamiento.	✓	✓	✓
3. MÁSTIL: Verifique el funcionamiento del dispositivo de bloqueo del mástil. Asegúrese de que el mástil encaja completamente en el alojamiento. Compruebe el actuador del larguero.	✓	✓	✓
4. ACTUADOR: El actuador no requiere más mantenimiento que comprobar que funciona correctamente y escuchar si hay ruidos inusuales.			✓
5. MONITOR SMART: Compruebe el buen funcionamiento del botón de parada de emergencia. Compruebe que la toma del control de mano esté en perfecto estado. Verifique que el control de mano funciona correctamente. Verifique los controles redundantes y confirme que funcionan correctamente.	✓	✓	✓
6. BATERÍAS: Las baterías están alojadas en la unidad de alimentación eléctrica y no requieren ningún mantenimiento excepto su carga regular tal y como se detalla en las instrucciones de carga. Compruebe que las conexiones están limpias.			✓
7. AJUSTE DE LAS PATAS: Compruebe que las patas funcionan en toda su extensión (hacia dentro / hacia fuera)	✓	✓	✓
8. RUEDAS: Compruebe que todas las ruedas están firmemente sujetas a las patas. Verifique la libre rotación de las ruedas y de sus pivotes.	✓	✓	✓
9. LIMPIEZA: Limpie con jabón corriente y agua, y/o con cualquier desinfectante para superficies duras. Deben evitarse limpiadores químicos o abrasivos, ya que pueden dañar el acabado de la superficie del elevador. No moje ninguna pieza eléctrica. Después de la limpieza, la unidad debe secarse completamente.		✓	✓
10. PRUEBA DE CARGA: La prueba de carga debe realizarse de acuerdo con los procedimientos de prueba del fabricante. Se recomienda encarecidamente realizar la prueba por un servicio técnico autorizado.			✓
11. BASE Y RUEDAS: Asegúrese de que la base está uniforme y nivelada. (las cuatro ruedas en contacto con el suelo).	✓	✓	✓
12. ESLINGAS: Vea si están desgastadas o deshilachadas.	✓	✓	✓
13. LUBRICACIÓN: Lubrique las juntas de los pivotes, incluyendo las conexiones del mástil y del larguero, el conjunto de pedal, la junta de la barra de extensión (hágalo sólo si es necesario).			✓
14. CONJUNTO DE MANO: Asegúrese de que está bien enchufado al controlador.	✓	✓	
15. CHAVETA DE DESENGANCHE RÁPIDO: Asegúrese de que la chaveta esté colocada correctamente antes de realizar la elevación presionando la punta dentada.	✓	✓	

	Inicialmente	Antes del uso	Intervalos de servicio
16. PIEZAS DE FIJACIÓN: Compruebe que todas las tuercas, pernos, tornillos y piezas de sujeción no presenten signos de desgaste excesivo ni estén ajustados en exceso. De ser necesario, reemplácelos.			✓
17. APC INTEGRADO (SEGÚN EL MODELO) Compruebe que el sistema de APC integrado funcione en ambas direcciones mediante el control de mano. El actuador no requiere mantenimiento, excepto la verificación del funcionamiento correcto y la atención ante ruidos inusuales.	✓	✓	✓

10. Especificaciones técnicas

Carga de trabajo segura	500 lbs	227 kgs
Longitud total máxima	57.5 pulgadas	1460 mm
Longitud total mínima	55.1 pulgadas	1400 mm
Altura total máxima	81.3 pulgadas	2065 mm
Altura total mínima	57.5 pulgadas	1460 mm
Altura máxima de la barra de extensión	75.2 pulgadas	1910 mm
Altura mínima de la barra de extensión	16.9 pulgadas	440 mm
Altura en alcance máximo	51.5 pulgadas	1310 mm
Alcance en altura máxima	25.6 pulgadas	650 mm
Alcance en altura mínima	15.7 pulgadas	400 mm
Alcance máximo	36.6 pulgadas	930 mm
Radio de giro	64.2 pulgadas	1630 mm
Patas abiertas - Anchura externa	45.2 pulgadas	1150 mm
Patas abiertas - Anchura interna	40.1 pulgadas	1020 mm
Patas cerradas - Anchura externa	26.4 pulgadas	670 mm
Patas cerradas - Anchura interna	21.6 pulgadas	550 mm
Altura total de las patas	4.7 pulgadas	120 mm
Distancia al suelo	1.4 pulgadas	35 mm
Par de ruedas delanteras	4 pulgadas	100 mm
Ruedas traseras con freno	4 pulgadas	100 mm

*Alcance = distancia entre el centro de la barra de extensión y la parte delantera del mástil

Bastidor de posición de 4 puntos

(medida hasta la parte superior de las clavijas de ubicación)

Altura máx. del bastidor	61 pulgadas	1550 mm
Altura mín. del bastidor (útil)	15.4 pulgadas	390 mm

Pesos

Mástil, base y conjunto de larguero	81.4 lbs	37 kgs
(incluye barra espaciadora de 2 puntos)		
Mástil, base y conjunto de larguero	101.4 lbs	46 kgs
Con APC (Control Avanzado de Procesos) integrado.		
Unidad de alimentación	6.6 lbs	3 kgs
Total	88 lbs	40 kgs
Conjunto de la base (sin incluir batería)	44 lbs	20 kgs
Mástil y larguero (sin incluir batería)	37.4 lbs	17 kgs
Bastidor de posición de 4 puntos	13.2 lbs	6 kgs

Todas las medidas tienen un grado de tolerancia de +5/-5 grados.

ESPECIFICACIONES ELÉCTRICAS

BATERÍAS.....	12 voltios, tipo ácido de plomo selladas recargables
CAPACIDAD DE LA BATERÍA	3,2 amperios hora
ENTRADA NOMINAL DEL CARGADOR.....	230Vca 50/60 Hz
SALIDA NOMINAL DEL CARGADOR	27,4/29,0 VCC@0,8A

Protección Frente a Descargas Eléctricas

CARGADOR.....	CLASE II
ELEVADOR.....	FUENTE DE ALIMENTACIÓN INTERNA

GRADO DE PROTECCIÓN FRENTE A DESCARGAS

CARGADOR.....	TIPO B
ELEVADOR	TIPO B
ENTORNO DE FUNCIONAMIENTO:.....	>+5° <+40°.

En condiciones distintas a este entorno, la funcionalidad y la seguridad pueden verse comprometidas.

CONDICIONES AMBIENTALES

Al aire libre, la funcionalidad y seguridad especificadas pueden verse comprometidas.

RANGO DE TEMPERATURA Y HUMEDAD

TEMPERATURA	>+5°C a <+40°C
HUMEDAD RELATIVA.....	20% a 90% a 30°C (no condensada)
PRESIÓN ATMOSFÉRICA	700 - 1060 Hpa

ALMACENAMIENTO

TEMPERATURA	>-10°C a <+50°C
HUMEDAD RELATIVA.....	20% a 90% a 30°C (no condensada)
PRESIÓN ATMOSFÉRICA	700 - 1060 Hpa

CLASIFICACIONES IP

CAJA DE CONTROL.....	IPX4
ACTUADOR	IPX4
CARGADOR EXTERNO	IPX5
BATERÍA	IPX5
CONTROL DE MANO	IPX5

CICLOS DE TRABAJO

ACTUADOR	10% (2 min. / 18 min.)
CARGADOR.....	4 horas (aprox.)

ACÚSTICA

NIVEL DE POTENCIA DE SONIDO (ESCALA PONDERACIÓN A).....	64 dB
---	-------

EXPLICACIÓN DE LOS SÍMBOLOS:

Los signos enunciados a continuación se utilizan en el cargador, la unidad de control y la batería:



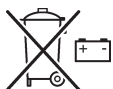
Este producto es un Dispositivo Médico de acuerdo con la Ordenanza de Dispositivos Médicos de la UE 2017/745.



Equipo de tipo B, según EN 60601-1



Equipo de clase



La batería no debe desecharse junto con los residuos domésticos. Las baterías deben desecharse de acuerdo con las normas o reglamentos locales o nacionales.



Las piezas de electrónica no deben desecharse junto con los residuos domésticos



Para uso en interiores solamente



ATENCIÓN: consulte los documentos adjuntos



Consulte las instrucciones del usuario antes de usar (Fondo azul).



Marca de certificación que indica la conformidad con los requisitos aplicables a los productos vendidos en Gran Bretaña.



Punto de contacto entre el fabricante de productos sanitarios no europeos, las autoridades nacionales competentes (Ministerio de Sanidad) y los organismos notificados.



Una identificación única para el producto destinada a proporcionar una identificación positiva única y armonizada a nivel mundial para todos los productos sanitarios a través de su distribución y uso.



Indica la entidad que importa el producto sanitario a la localidad.

11. Garantía

Joerns Healthcare cuenta con una red establecida de distribuidores autorizados y agentes técnicos que estarán gustosos de responder a todas sus inquietudes respecto a la adquisición, garantía, reparación y mantenimiento de los productos. Se recomienda que un distribuidor autorizado o agente técnico encarguen nuestros productos.

El distribuidor o representante opera el Programa de la garantía; de manera que es importante conservar el nombre, dirección y teléfono para poder establecer contacto en caso de que surja algún problema. Si tiene dudas acerca del lugar de compra del elevador, Joerns Healthcare puede ubicar al proveedor si usted cita el número de serie del producto.

Todas las reclamaciones respecto de la garantía están sujetas a la correcta utilización y mantenimiento del producto, de acuerdo con el manual de instrucciones suministrado con cada elevador. La garantía pierde validez ante cualquier daño causado por el uso en condiciones ambientales inadecuadas o por falta de mantenimiento del producto según las instrucciones de mantenimiento para el usuario. Sus derechos legales no se verán afectados.

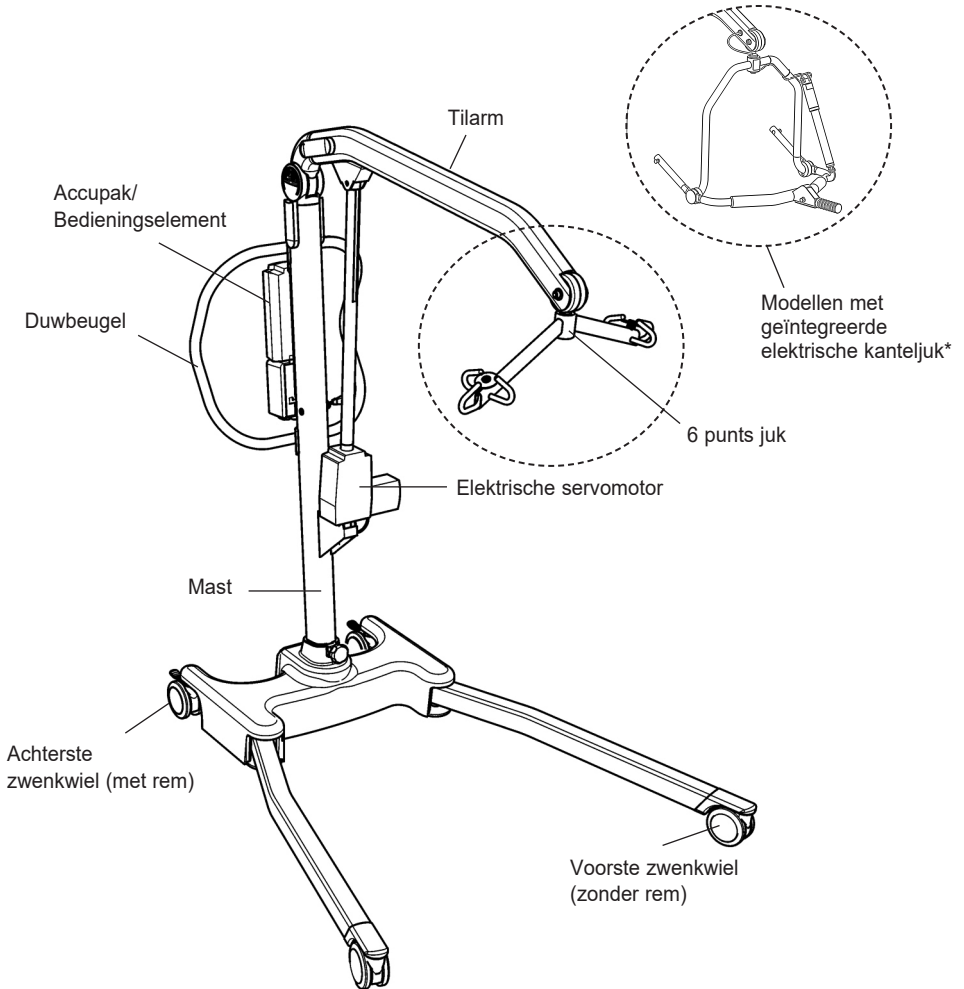
RECUERDE: Póngase en contacto con su distribuidor autorizado o agente técnico por adquisiciones, reparaciones, servicio y mantenimiento certificados.

Su distribuidor:

Inhoudsopgave

1. De Oxford Presence Tillift	127
2. Inleiding: Over Uw Tillift	128
3. Instructies voor montage en inbedrijfstelling	129
4. Veiligheidsmaatregelen	135
5. Smart Monitor & Handset	137
6. Bedieningsinstructies	142
7. Verwijderen van Juksystemen	145
8. Opladinstructies	147
9. Onderhoudsschema & Dagelijkse Controlelijst	149
10. Technische Specificaties	152
11. Garantie	155

1. De Oxford Presence Tillift



** Het geïntegreerde elektrische kanteljuk kan niet alsnog op standaard Presence modellen worden bevestigd. Dit moet bij de bestelling worden gespecificeerd. Optioneel kan als alternatief apart een onafhankelijk aangedreven elektrische kanteljuk worden besteld.*

2. Inleiding: Over Uw Tillift

De Oxford Presence is een elektrische tillift. Elke Presence tillift wordt volledig gemonteerd, onderworpen aan een belastingstest en gecertificeerd voordat hij verpakt en wordt verscheept.

De verpakking bestaat uit een sterke, speciaal ontworpen doos die voor zowel de externe als de interne markt wordt gebruikt om zeker te zijn van een behouden aankomst van de lift. Bij iedere tillift worden een aantal documenten in een map geleverd en deze moeten op een veilige plaats worden opgeborgen zodat zij in de toekomst eventueel geraadpleegd kunnen worden.

- TESTCERTIFICAAT
- GEBRUIKERSHANDLEIDING
- PACKPRÜFLISTE

Het TESTCERTIFICAAT is een belangrijk document en is vereist voor uw verzekeringsgegevens. Het is zes maanden lang geldig en nadat het verlopen is moet de tillift volgens het onderhoudsschema geïnspecteerd worden. Onderhoudsbeurten en periodieke tests kunnen door uw geautoriseerde leverancier uitgevoerd worden. Zorg er a.u.b. voor dat uw tillift in zijn onderhoudsschema opgenomen is. Als u er niet zeker van bent wat de onderhoudsvereisten zijn in uw land, controleer dit dan a.u.b. met uw dealer en/of uw plaatselijke overheidsinstelling.

WAARSCHUWING

Voorafgaand aan het dagelijkse gebruik van uw lift moeten de controles worden uitgevoerd zoals vermeld in de checklist in deze handleiding.

Het CE-merk: De Oxford Presence heeft het CE-merk en voldoet aan de volgende EU-richtlijnen:



- Richtlijn Medische Hulpmiddelen 2017/745
- Richtlijn EMC 2014/30/EU
- Laagspanningsrichtlijn 2014/35/EU

Verklaring van bedoeld gebruik

Deze lift is bedoeld om personen veilig vanaf de ene zit- of ligplaats op te tillen en naar een andere zit- of ligplaats over te brengen. (Bijvoorbeeld van een bed naar een rolstoel.) Joerns Healthcare adviseert voorafgaand aan de transfer van een cliënt een volledige risicobeoordeling uit te voeren en de cliënt uitsluitend veilig over een korte afstand over te brengen.

De Oxford Presence lift is geschikt voor in ZITTENDE, ZITTENDE/LIGGENDE OF LIGGENDE positie.

De Oxford Presence is een elektrisch bediende lift, ontworpen ter ondersteuning en bevordering van een voor de cliënt én zorgverlener veilige omgang en transfer.

De Oxford Presence lift is leverbaar in twee varianten: een model voorzien van een standaard 6-punts juk en een model voorzien van een geïntegreerd elektrische kanteljuk (4-punts). De Oxford Presence lift waarop het 6-punts tijk is aangebracht, is ook compatibel met 4-punts jukopties. Deze zijn na aankoop als accessoires verkrijgbaar. Alle configuraties zijn ontworpen om te worden gebruikt met de Oxford tilbanden. Voorbeelden van tilbanden die geschikt zijn voor deze liften zijn:

- Oxford Quickfit
- Oxford Access
- Oxford Long Seat
- Oxford Silkfit
- Oxford Full Back
- Oxford Comfort
- Oxford Quickfit Deluxe

WAARSCHUWING

De Oxford patiëntenliften mogen uitsluitend worden bediend door volledig opgeleide/competente verzorgers.

Verwachte levensduur

De tilliften van Oxford voor professioneel gebruik zijn ontworpen en getest voor een minimale levensduur van tien (10) jaar, afhankelijk van het gebruik en de onderhoudsprocedures zoals in de handleiding worden vermeld. Wanneer het product niet volgens deze instructies wordt gebruikt, kan dit een nadelig effect hebben op de levensduur van het product.

Melden van ernstige incidenten

Wanneer tijdens gebruik van dit product een ernstig incident heeft plaatsgevonden, waarbij de patiënt en/of zorgverlener betrokken was/waren, moet dit aan de fabrikant van het product of de erkende distributeur worden gemeld. Indien dit incident heeft plaatsgevonden binnen de Europese Unie (EU), moet het ook aan de bevoegde autoriteit binnen de lidstaat worden gemeld.

3. Instructies voor montage en inbedrijfstelling

INHOUD VAN DE DOOS

Plaats de doos in een vrije werkruimte en maak hem voorzichtig open. De doos bevat:

- OXFORD PRESENCE TILLIFT
- MAP MET DOCUMENTEN
- HANDBEDIENING
- ACCUPAK
- OPLAADKABEL
- BUREAU-OPLADER/HOUDER

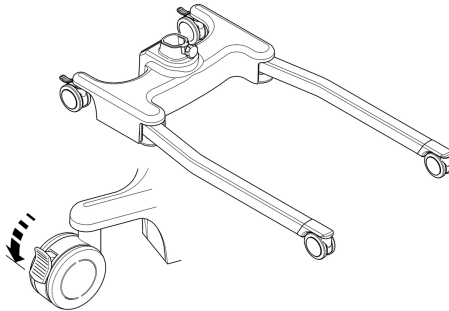
▲ WAARSCHUWING

De Oxford Presence is zwaar en moet voorzichtig opgetild worden. U heeft waarschijnlijk hulp nodig om de Oxford Presence uit de doos te tillen.

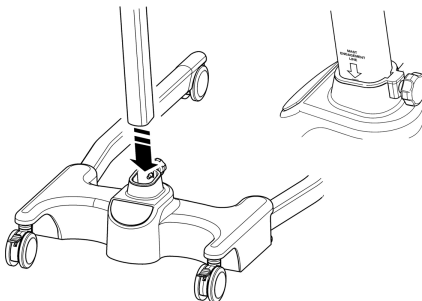
MONTAGE-INSTRUCTIES

Verwijder alle onderdelen uit de doos en plaats deze op de grond. Let hierbij op dat u de afwerking niet beschadigt.

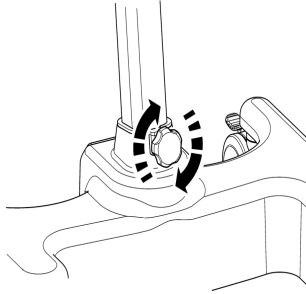
1. Plaats het onderstel in een vrije werkruimte en schakel de wielrem (achter) in.



2. Plaats mast en tilarm (aan elkaar verbonden) in de opening in het onderstel.



3. Maak de mastcombinatie vast met het mastvergrendelelement, dat zich aan de voorkant van het onderstel bevindt.

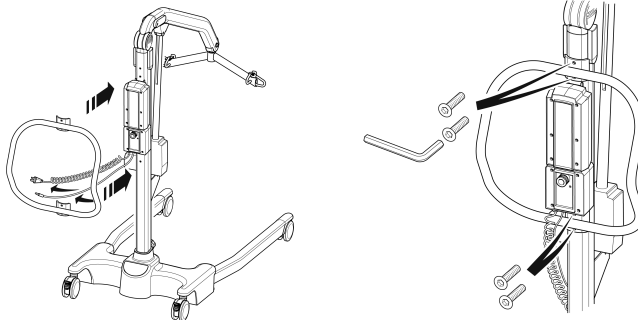


⚠ WAARSCHUWING

Voorkom dat uw vingers bekneld raken. Houdt uw vingers uit de buurt van het einde van de mast weg wanneer u deze in de onderstelopening laat zakken. Aan de zijkant van de mast wordt op een label aangegeven hoe de mast volledig aangekoppeld moet worden. De elektrische werking van het onderstel werkt niet wanneer de mast niet volledig aangekoppeld is.

4. Draai de vergrendelknop totdat het handvast zit.
5. Bevestig de beugel aan de achterkant van de mast met behulp van de geleverde bevestigingsonderdelen. De bevestigingsonderdelen en sleutel die u nodig heeft om de beugel te bevestigingsonderdelen worden bewaard in de map met de gebruikershandleiding.

LET OP: Zorg ervoor dat alle loshangende bedrading buiten de beugel hangt wanneer u de beugel aan de mast bevestigt.



6. Bevestig het accupak aan de tillift en zorg ervoor dat de vergrendeling die de accu op zijn plaats houdt goed vastzit. "Klik" vast.

Eerste bevestiging van het geïntegreerde elektrische kanteljuk

VOLG DEZE AANWIJZINGEN NAUWGEZET OP

Het geïntegreerde elektrische kanteljuk moet aan de lift worden bevestigd en de elektrische aansluiting moet voor gebruik door een competente persoon worden uitgevoerd. Het geïntegreerde elektrische kanteljuk wordt met de standaard Presence quick-release pen aan de mast bevestigd; daarnaast moet de elektrische aansluiting in de mast worden verzorgd.

VERBINDING

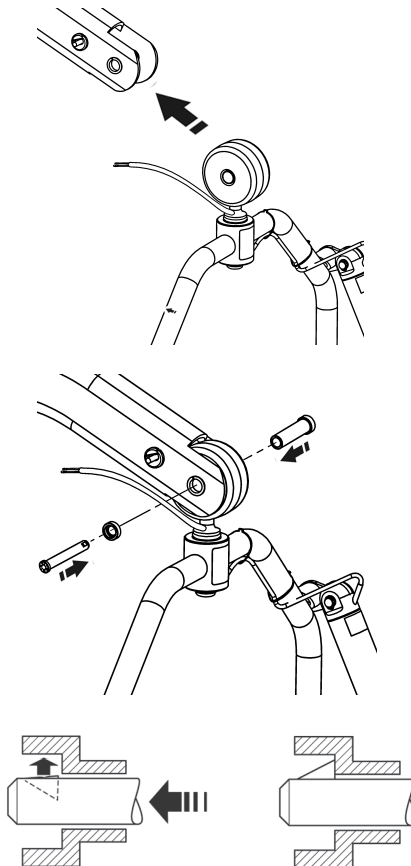
Om het juk aan te sluiten:

Til het juk op in de richting van de opening op de mast.

Plaats de huls van de pen door de plastic afdekkap en om het geïntegreerde elektrische tiljuk te ondersteunen.

Nadat deze in de opening in de mast is geplaatst en uitgelijnd, steekt u vervolgens de quick-release pen volledig in de huls totdat deze in positie vergrendelt. U **MOET CONTROLEER OF DE PEN VEILIG EN VAST IS BEVESTIGD**.

Hier toe duwt u uw vinger in het getande uiteinde. Als de pen niet beweegt, kan de lift veilig worden gebruikt.



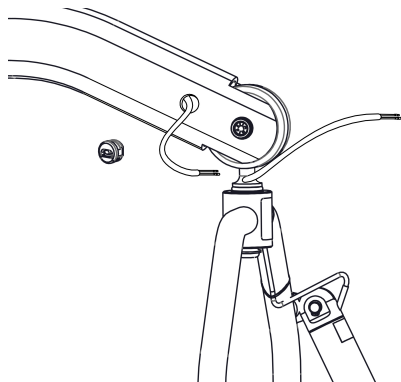
VERBINDING

Aansluiten van de elektriciteit:

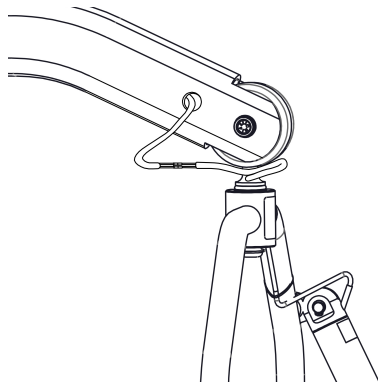
Zorg ervoor dat de accu is afgekoppeld en de bediening is uitgeschakeld.

1. Verwijder met een smalle platte schroevendraaier de kabelklem van de mast.
Zoek de uiteindes van de draden en trek ze door het gat aan de zijkant van de mast.
2. Sluit de kabelstekkers aan het uiteinde van de draden aan op de contrastekkers aan het uiteinde van de draden van het kanteljuk.
3. Plaats de kabelklem rond de kabel op 150 mm vanaf het punt waar de kabel de verbindingspen van het juk ingaat.
4. Stop overtollig draad, inclusief de kabelstekkers, via het gat in de mast.
5. Stop de kabelklem terug in het gat in de mast, let erop dat hij helemaal naar binnen wordt geduwd.
6. Controleer of er nog 150 mm vrije kabellengte tussen de mast en het elektrische kanteljuk aanwezig is.

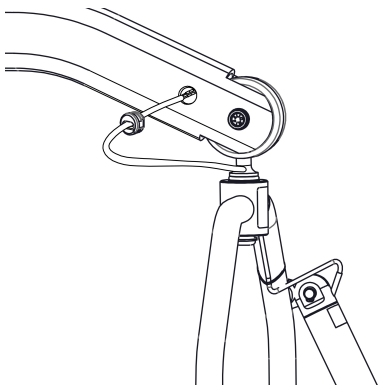
1



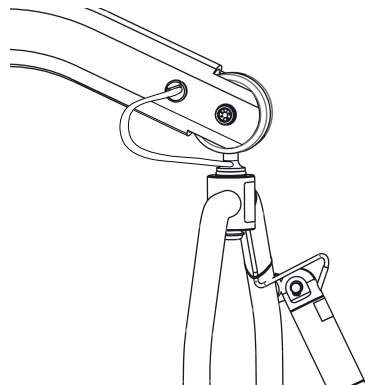
2



3



5

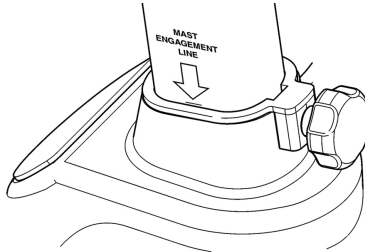


DEMONTAGE

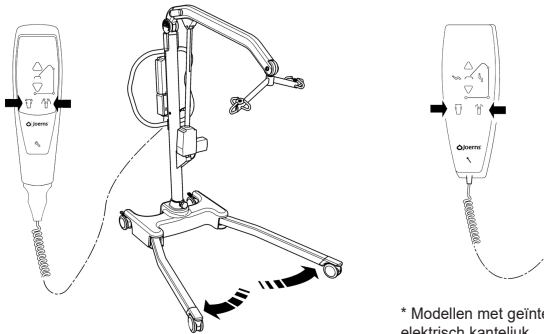
De tillift moet indien nodig alleen gedemonteerd worden voor onderhoud, reparatie of transport. Volg hiervoor de montage-instructies in omgekeerde volgorde.

CONTROLEER ALTIJD HET VOLGENDE VOOR INGEBRUIKNAME

- De mast zit goed vast in de juiste positie.

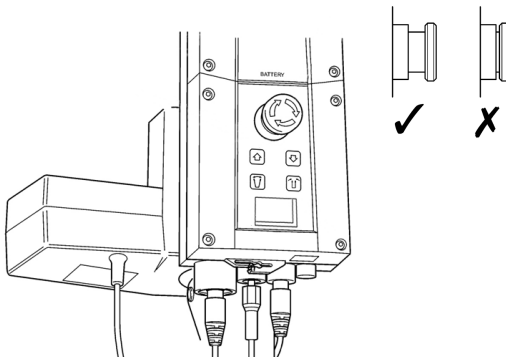


- Controleer of het onderstel van de lift naar behoren opent en sluit (dit wordt via de handbediening gedaan.)

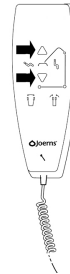
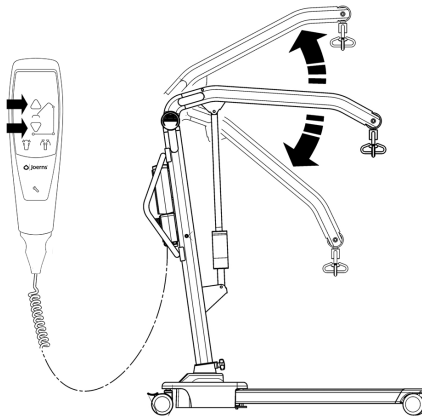


* Modellen met geïntegreerd elektrisch kanteeljuk.

- De rode noodstopknop aan de achterkant van het bedieningspaneel staat in de OFF (uit)-stand.

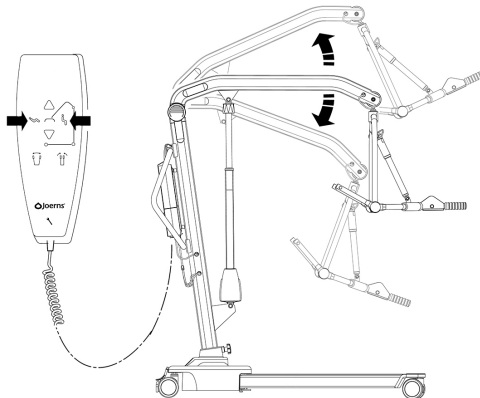


- Druk op de omhoog- en omlaagknoppen op de handbediening om te controleren of de tilarm omhoog en omlaag beweegt.



* Modellen met geïntegreerd elektrisch kanteljuk.

- Voor modellen met het elektrische kanteljuk duwt u op de handbediening op de knoppen voor zittende personen en controleert u of het juk weer in de juiste positie komt.



4. Veiligheidsmaatregelen

Lees en volg a.u.b. de volgende veiligheidsmaatregelen op. Het gebruik van Oxford is gemakkelijk en eenvoudig. Door het opvolgen van deze eenvoudige veiligheidsmaatregelen kunt u gemakkelijk en probleemloos tillen.

LEES EN BEGRIJP DE GEBRUIKERSHANDLEIDING VOORDAT U UW “PRESENCE” TILLIFT GEBRUIKT

WAARSCHUWING: Belangrijke veiligheidsinformatie met betrekking tot gevaren die ernstig letsel kunnen veroorzaken.

OPGELET: Informatie om schade aan het product te voorkomen.

OPMERKING: Informatie die speciale aandacht behoeft.

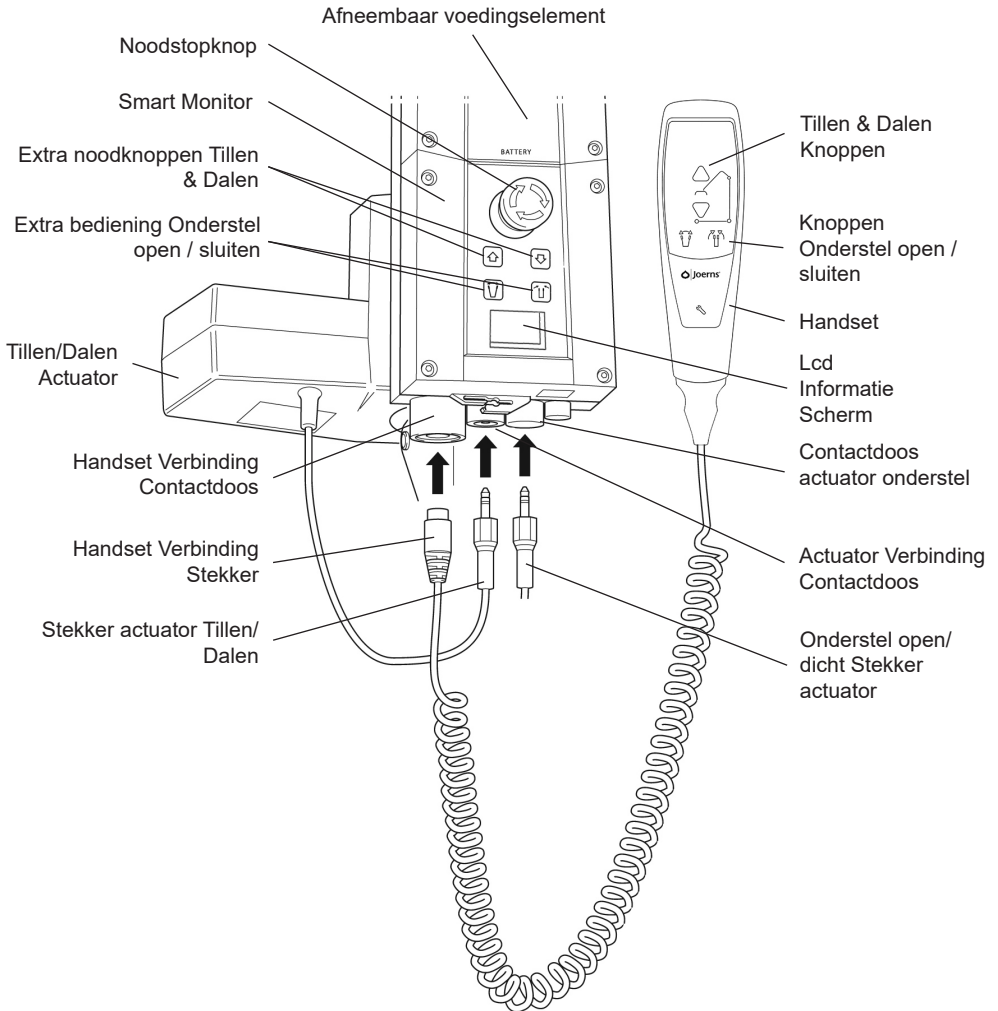
WAARSCHUWING

- De Oxford patiëntenliften mogen uitsluitend worden bediend door volledig opgeleide/ competente verzorgers.
- Plan **ALTIJD** uw tilhandelingen voordat u begint.
- Loop **ALTIJD** de **DAGELIJKSE CONTROLELIJST** (Verderop in deze handleiding) na voor dat u de tillift gebruikt.
- Raak **ALTIJD** vertrouwd met de bedienings- en veiligheidselementen van een tillift voor dat u een cliënt tilt.
- Gebruik **ALLEEN** tilbanden waarvan het gebruik met de tillift wordt aangeraden.
- Controleer **ALTIJD** of de tilband geschikt is voor de cliënt en of deze de juiste maat en capaciteit heeft.
- Gebruik **NOOIT** een gerafelde of beschadigde tilband.
- Monteer de tilband **ALTIJD** volgens de geleverde instructies (gebruikershandleiding).
- Controleer **ALTIJD** of de maximale tilbelasting van de tillift geschikt is voor het gewicht van de cliënt.
- Volg voor het uitvoeren van tilhandelingen **ALTIJD** de instructies in de gebruikershandleiding op.
- Ontkoppel of negeer **NOOIT** bedienings- of veiligheidselementen om bediening van de tillift gemakkelijker te maken.
- Til een cliënt **NIET** met de wielrem ingeschakeld. Laat de tillift altijd zelf het juiste zwaartepunt bepalen.
- Probeer de tillift **NIET** te manoeuvreren door de mast, tilarm of cliënt te duwen.
- Manoeuvreer de tillift **ALTIJD** met behulp van de daarvoor bestemde beugel / voetpedaal.
- Laat de cliënt voordat de transfer begint **ALTIJD** zakken tot in de laagst mogelijke comfortabele positie.
- Duw een beladen tillift **NIET** sneller voort dan met een langzame wandelpas (3 km/u, 0,8 m/s).
- Duw de tillift **NIET** over ongelijke of ruwe ondergrond, vooral niet als zich een cliënt in de tillift bevindt.
- Duw de tillift **NIET** over oneven of ruw terrein, met name wanneer de tillift beladen is.
- Probeer een beladen tillift **NIET** over obstructies op de grond te duwen of trekken.

- **Merk op: Het MINIMALE gewicht dat nodig is om de lift handmatig naar beneden te brengen via het mechanische noodmechanisme is 30 kg.**
- **Forceer NOOIT een bedienings- of veiligheidselement. Alle bedieningselementen zijn gemakkelijk te gebruiken en vereisen geen grote krachtsinspanning.**
- **Stal een beladen tillift NOOIT op een hellend vlak.**
- **Gebruik elektrische tilliften NIET onder de douche.**
- **Laadt een elektrische tillift NIET op in een badkamer.**
- **Til cliënten ALLEEN wanneer u hiervoor getraind bent en competent bent om dit te doen.**
- **UW tillift is bestemd voor het tillen van cliënten en mag NIET voor andere doeleinden gebruikt worden.**
- **Rol de tillift NIET van traptreden of opstapjes af, zowel beladen als onbeladen.**
- **Probeer een beladen tillift NIET te bedienen op een helling die steiler is dan 1:12 (ongeveer 5 graden).**
- **Probeer de tillift NIET zonder assistentie op een helling te navigeren.**
- **Gebruik de tillift NIET in een natte omgeving of plaatsen met bijtende stoffen zoals zwembaden.**

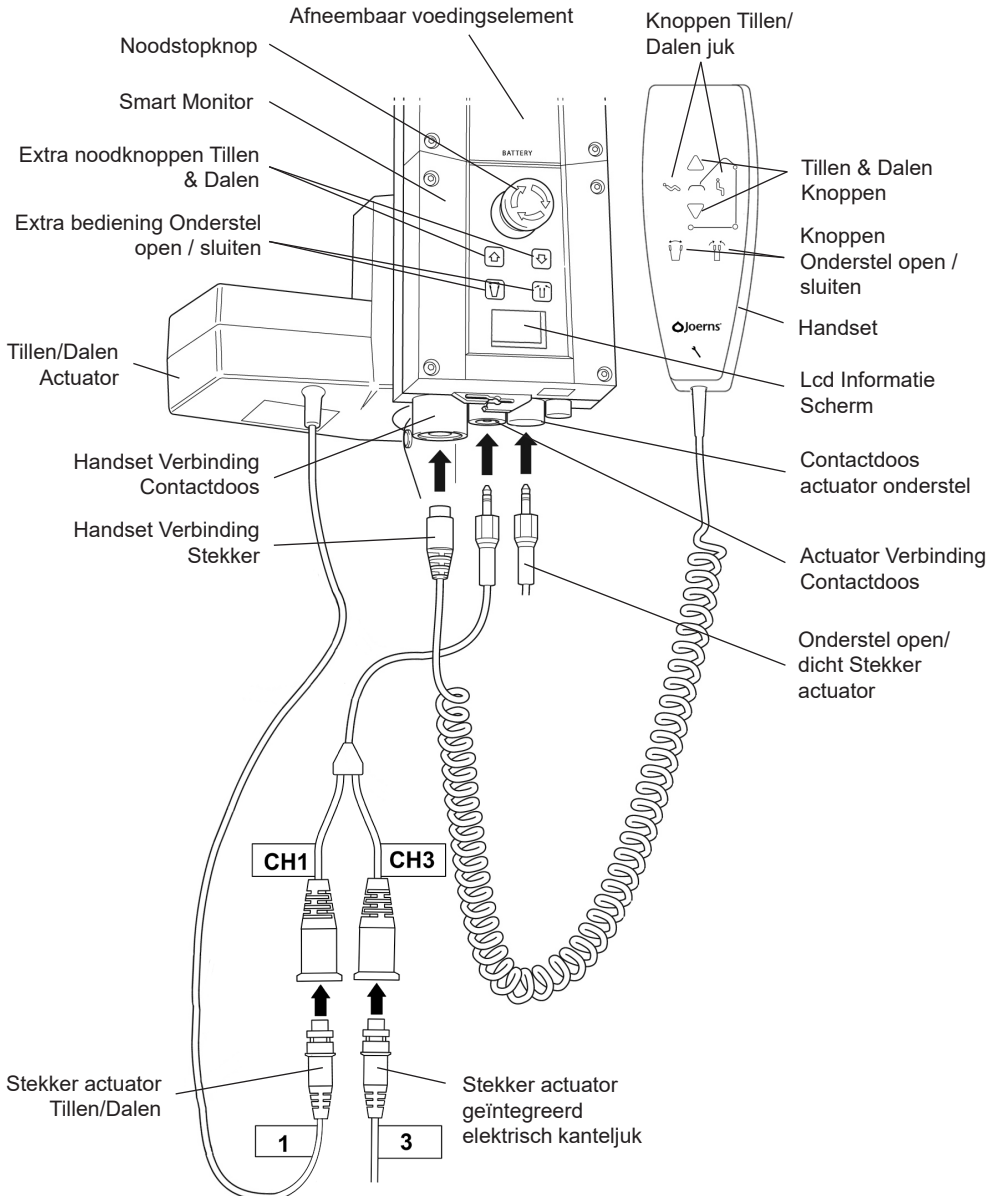
5. Smart Monitor & Handset

Standaard Presence



Presence uitgerust met geïntegreerd elektrisch kanteljuk

Op modellen met een geïntegreerd elektrisch kanteljuk, dienen de handset en actuatorkabels als volgt te worden verbonden:



Bedoeld gebruik:

The Oxford Smart Monitor is een bedieningssysteem voor Oxford mobiele liften. De Smart Monitor slaat nuttige informatie op over de tillift die opgeroepen kan worden wanneer dit nodig is. Deze onderhoudsinformatie omvat:

- Aantal cycli
- Arbeidstijd van de actuator
- Aantal malen dat de tillift werd overbelast (poging tot optillen met een gewicht hoger dan de veilige belasting)
- Verstreken tijd sinds de laatste servicebeurt

De Oxford Smart Monitor bevat een microprocessor waarmee het mogelijk is onderhoudsgegevens via het LCD-scherm op de tillift af te lezen.

Kenmerken:

- Gegevensverzameling in de bedieningskast met weergave via het LCD-scherm
- Werkteller
- Intelligente cyclus-teller
- Onderhoudsindicator
- Service-intervalteller
- Informatie betreffende overbelasting
- 3-stapsindicator accu


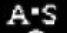
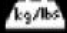

Voordelen:

- Verbeterde veiligheid voor zowel client als verzorger
- Met één druk op de knop nauwkeurige onderhoudsgegevens beschikbaar
- Geoptimaliseerde levensduur van het product
- Gemakkelijk onderhoud voor mecaniciens en onderhoudsmonteurs

LCD-scherm:

De Oxford Smart Monitor biedt de optie om informatie via het LCD-scherm af te lezen. Het totale aantal tilcycli, de totale hoeveelheid werk, het aantal malen overbelasting en het aantal dagen dat is verstreken sinds de laatste onderhoudsbeurt kunnen worden afgelezen. Hierdoor kan de conditie van de liftactuator snel en gemakkelijk worden beoordeeld.

Door een halve seconde op de 'TIL'-knop op de gebruikershandset te drukken, krijgt men toegang tot deze informatie. Ook kan op de extra 'TIL'-knop op de Smart Monitor worden gedrukt.

	12034	Totaal aantal tilcycli
	1257000	Totaal uitgevoerd werk (Amps * Secondes)
	7	Aantal malen overbelasting
	90/180	Aantal dagen (sinds de laatste servicebeurt) / Aantal dagen (tussen servicebeurten)

Onderhouds- en Gebruiks informatie:



Het servicesymbool verschijnt op het scherm wanneer het tijd is voor een servicebeurt. Als de gebruikershandset is geactiveerd, geeft de Smart Monitor ook een geluidssignaal om de gebruiker opmerkzaam te maken op het feit dat er een servicebeurt nodig is.

Steeds als de toetsen tillen of dalen op de gebruikershandset worden ingedrukt, wordt het servicesymbool weergegeven. Neem direct contact op met uw erkende dienstverlener wanneer het servicesymbool wordt weergegeven.

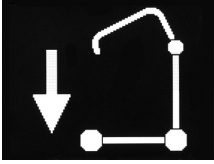


Als de tillift vanwege overbelasting stopt (een poging om meer dan de veilige belasting te tillen), verschijnt het symbool voor overbelasting op het LCD-scherm. De tillift houdt op te functioneren totdat het teveel aan gewicht (boven de veilige belasting) is verwijderd.

WAARSCHUWING

Indien het LCD-scherm op uw Smart Monitor een overbelasting heeft geregistreerd, adviseert Joerns Healthcare ALLE dagelijkse controles uit te voeren bij de tillift voordat deze opnieuw wordt gebruikt. Voor een overzicht van de dagelijkse controles wordt naar de gebruikershandleiding van de tillift verwezen. Joerns Healthcare adviseert eveneens contact op te nemen met uw erkende Oxford dienstverlener voor aanvullend advies.

Extra bedieningsknoppen op de lift:



Dankzij de extra bedieningsknoppen op de tillift kan deze in geval van nood tillen of dalen.



Als uw tillift is voorzien van elektrische positionering van het onderstel, zijn er eveneens extra bedieningsknoppen om het onderstel te openen en te sluiten.

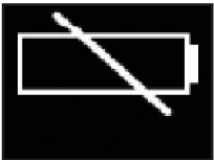
Informatie betreffende accu's:



Wanneer een volle batterij op het scherm zichtbaar is, betekent dit dat de accu volledig geladen is en de tillift klaar is voor gebruik.



Wanneer er een halflege batterij op het scherm zichtbaar is, betekent dit dat het tijd is om de accu op te laden.



Wanneer er een lege batterij op het scherm zichtbaar is, betekent dit dat de accu geen vermogen meer heeft en direct op de oplader moet worden geplaatst.

⚠ WAARSCHUWING

Om mogelijke permanente schade aan de accu te voorkomen, dient de accu opgeladen te worden zodra het icoontje van een halflege batterij zichtbaar is.

6. Bedieningsinstructies

⚠ WAARSCHUWING

De Oxford patiëntenliften mogen uitsluitend worden bediend door volledig opgeleide/competente verzorgers.

1. Afstellen van het onderstel

De breedte van het onderstel van de Oxford Presence kan elektrisch afgesteld worden. Het onderstel kan gespreid worden om het mogelijk te maken om een fauteuil of rolstoel te bereiken. Voor transfers en het manoeuvreren in nauwe doorgangen kan het onderstel van de tillift in gesloten positie gebracht worden.

Stel het onderstel elektrisch af door op de daarvoor bestemde knoppen op de handbediening te drukken. Het onderstel wordt vergrendeld wanneer de knop op de handbediening losgelaten wordt.

2. Zwenkwielen en remmen

De tillift beschikt over twee zwenkwielen met een rem, die ingeschakeld kan worden om de lift te stallen. Tijdens tilhandelingen moet de rem uitgeschakeld staan en moeten de zwenkwielen ongehinderd kunnen bewegen. De tillift kan dan naar het zwaartepunt bewegen. Als de rem ingeschakeld staat dan schommelt de client naar het zwaartepunt en dat kan vervelend en oncomfortabel zijn.

3. De tilarm: heffen en dalen

Het bewegen van de tilarm wordt gestuurd door een krachtige servomotor, die bestuurd wordt met een eenvoudig handbedieningselement. De handbediening heeft twee knoppen met pijlen voor OMHOOG en OMLAAG. De servomotor stopt automatisch wanneer de hoogste of laagste stand wordt bereikt. De handbediening wordt onderaan het bedieningspaneel aangesloten.

4. Herpositioneren van het geïntegreerde elektrische kanteljuk (uitsluitend beschikbaar op geselecteerde modellen)

Bij modellen met het geïntegreerde elektrische kanteljuk, kan de elektrische actuator op het juk via de handbediening worden aangepast. Op de handbediening bevinden zich twee knoppen met daarop afgebeeld een persoon zittend in twee verschillende graden van kanteling. Gebruik deze knoppen om het juk te bewegen. De actuator stopt automatisch wanneer het maximale bereik wordt bereikt (geldt voor beide richtingen). Steeds wanneer de handbediening wordt losgelaten, wordt de positie van het tiljuk vergrendeld.

5. Noodstop

De rode noodstopknop bevindt zich aan de voorzijde van het bedieningspaneel en wordt geactiveerd door hem in te duwen. Hierdoor wordt alle stroom van de tillift afgesloten. Dit kan teruggezet worden door de knop linksom te draaien en vrij te geven.

6. Ongebruikte bediening

Alle Oxford Presence liften zijn op de bedieningskast voorzien van til- en daalknoppen. Deze bevinden zich onder de noodstopknop en kunnen worden gebruikt om de cliënt te tillen of te laten dalen in het geval dat de handbediening niet functioneert.



7. Mechanische noodbediening

De elektrische servomotor is uitgerust met een mechanisch daalelement (RED BOSS) dat gebruikt kan worden in geval van een complete stroomuitval. Dit werkt alleen wanneer de tillift beladen is. Trek het element omhoog om het te activeren; dit zet een langzame daling in werking.

⚠ WAARSCHUWING

Als deze functie wordt gebruikt, MOET de lift vervolgens worden gecontroleerd door een competente technicus.

8. Accu's

Een LAGE ACCUSPANNING-ALARM behoedt de accu's voor een te lage lading. Dit alarm gaat af wanneer de accu's opgeladen moeten worden en de handbediening gebruikt wordt. Het gaat niet af wanneer de handbediening niet gebruikt wordt. NEGEER DIT ALARM NIET. Voltooi de tilhandeling en laadt de accu op (zie oplaadinstructies).

9. Tilbanden

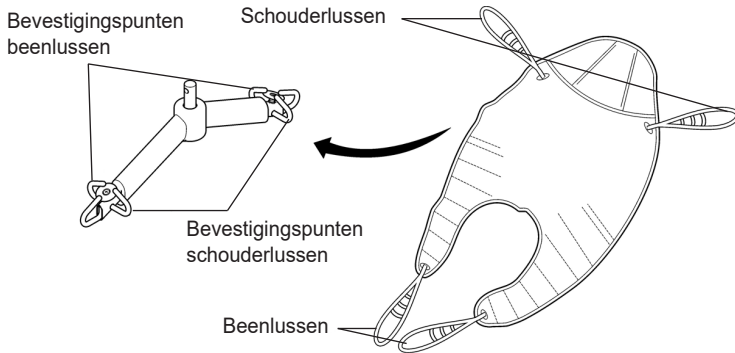
Met de Oxford Presence heeft u de keuze tussen een zespuntsjuk en een vierpuntsjuk. Beide systemen maken gebruik van verschillende bevestigingsmethodes en tilbanden.

Het zespuntssysteem maakt gebruik van tilbanden met lussen, waarbij u de plaatsing kunt afstellen door het selecteren van verschillende gekleurde lussen. Het vierpuntsjuk maakt gebruik van het Securi3 veiligheidsclipsysteem en kan worden afgesteld door het vierpuntsjuk naar boven of naar beneden te roteren.

Tilbanden met lussen: Oxford Quickfit, Full Back, Quickfit Deluxe, Long Seat, Comfort, Silkfit en Access.

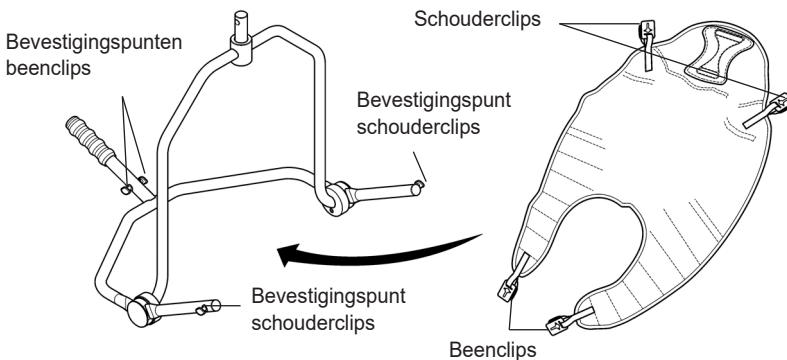
Tilbanden met veiligheidsclip: Oxford Comfort

Het zespuntssysteem wordt aan de haken van het juk vastgemaakt via lussen (zie hieronder). Bij iedere tilband worden instructies geleverd. Bestudeer voor gebruik a.u.b. de handleiding.

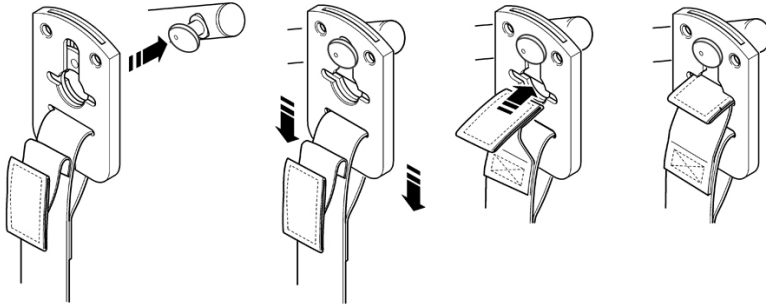


Zespuntsjuk: Voorbeeld van een zespuntsjuk met bevestigingslussen.

De tilband van het vierpuntsjuk wordt aan de bevestigingspunten van het juk vastgemaakt via een veiligheidsclipsysteem (zie hieronder). Bij iedere tilband worden instructies geleverd. Bestudeer voor gebruik a.u.b. de handleiding.



Vierpuntsjuk: Voorbeeld van een vierpuntsjuk en tilband met veiligheidsclipsysteem.



Securi3 tilbandbevestigingssysteem. Voorbeeld van montage.

MERK OP: In de meegeleverde gebruikershandleiding worden gedetailleerde instructies gegeven hoe de sling aangebracht moet worden. Raadpleeg de gebruikershandleiding voor gebruik.

⚠ WAARSCHUWING

Joerns Healthcare adviseert de slings geregeld en voor gebruik te controleren op slijtage of beschadigingen. Gebruik slings die versleten of beschadigd zijn NIET.

⚠ WAARSCHUWING

OXFORD ADVISEERT ORIGINELE OXFORD ONDERDELEN TE GEBRUIKEN. De Oxford sling en liftproducten zijn zodanig ontworpen dat ze met elkaar gebruikt kunnen worden. Kijk voor specifieke, landgebonden richtlijnen over het gebruik en compatibiliteit van de sling op het label, of neem contact op met de importeur of Joerns Healthcare.

⚠ WAARSCHUWING

Zie het maximale tilvermogen van de lift. Het maximale vermogen van de lift bepaalt het maximale draagvermogen van de sling.

7. Verwijderen van Juksystemen

VOLG DEZE INSTRUCTIES NAUWGEZET OP

⚠ WAARSCHUWING

Indien uw Oxford Presence is uitgerust met een geïntegreerd elektrisch kanteljuk, **PROBEER** dit dan **NIET** te verwijderen. Door de stroomkabel is een effectieve verwijdering niet mogelijk, en pogingen hiertoe kunnen schade aan de lift aanbrengen.

Met uw Presence tillift heeft u de keuze tussen een zespunts- en vierpuntsjuk. U kunt beide systemen gemakkelijk verwijderen door middel van een snelsluitpen. Dit is snel en gemakkelijk, maar lees de volgende veiligheidsinstructies om er zeker van te zijn dat het juk vóór gebruik goed vergrendeld is.

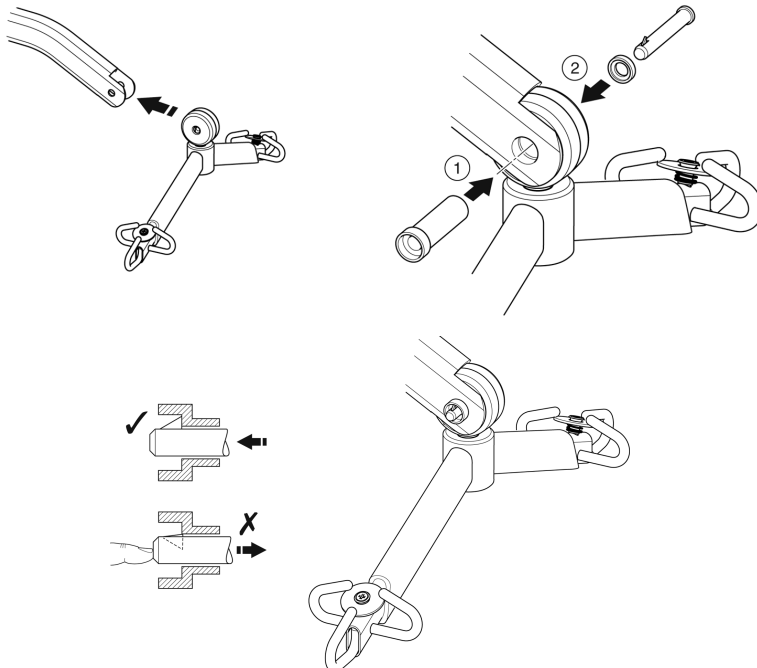
AANSLUITING

Til het juk naar de opening in de tilarm om aan te sluiten.

Duw de huls van de pen door de plastic eindkap voor de ondersteuning van het juk.

Zodra deze op één lijn gebracht is met de opening in de tilarm, steek de snelsluitpen volledig in de opening totdat deze vergrendelt. **CONTROLEER OF DE PEN STEVIG VAST ZIT.**

Steek hiervoor uw vingers in het uiteinde met de weerhaken. Als de pen op zijn plaats blijft is de tillift veilig om te gebruiken.



VERWIJDEREN

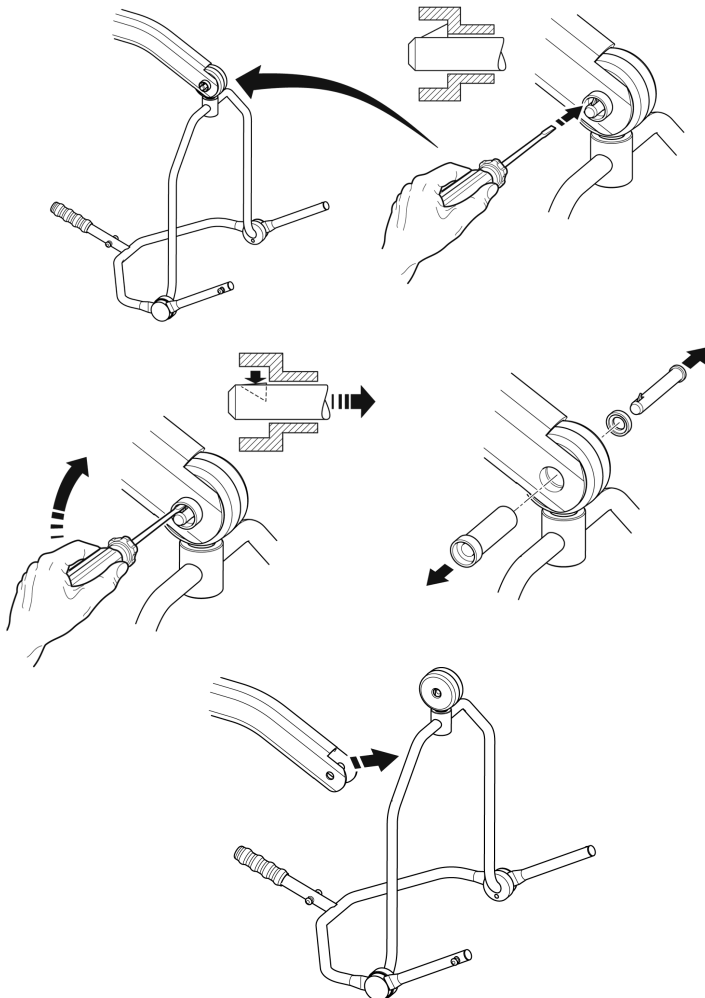
⚠ WAARSCHUWING

Indien uw Oxford Presence is uitgerust met een geïntegreerd elektrisch kanteljuk, **PROBEER** dit dan **NIET** te verwijderen. Door de stroomkabel is een effectieve verwijdering niet mogelijk, en pogingen hiertoe kunnen schade aan de lift aanbrengen.

Zorg ervoor dat het juk ondersteund wordt voordat u de pen verwijdert.

Voor het verwijderen van de pen moet u de verende weerhaken indrukken (met behulp van een platte elektrische schroevendraaier of iets dergelijks) en de pen uittrekken.

Ondersteun het juk en trek dan aan de penhuls in de tegenovergestelde richting, waarbij u hem volledig uit de tilmarm verwijdert. Hierdoor wordt het juk volledig verwijderd.



8. Oplaadinstructies

Wanneer het accupak opgeladen moet worden, wordt het van de tillift afgehaald en in een aparte oplader geplaatst.

Joerns Healthcare raadt aan om een aanvullend accupak aan te schaffen zodat één accupak altijd opgeladen kan worden.

1. Verwijder het accupak van de tillift. Het pak wordt vastgehouden door een eenvoudige grendel aan de bovenkant van het accupak. Til de grendel op om het accupak te verwijderen.
2. Plaats het accupak in de oplader. Het plaatsings- en bevestigingsmechanisme van de oplader is hetzelfde als dat van de tillift.
3. Steek het netsnoer van de oplader in een geschikt stopcontact en schakel de elektriciteit AAN.
4. Het opladen gebeurt automatisch en de accu's worden in acht tot twaalf uur volledig opgeladen. Let op: de accu's kunnen niet "overladen" worden, zelfs niet wanneer u de stekker van de oplader voor langere tijd in het contact laat.
 - a) Groen licht - Geeft aan dat de stroomtoevoer is ingeschakeld.
 - b) Geel licht - Geeft aan dat de accu wordt opgeladen.
 - c) Accu is volledig opgeladen als het gele licht uitgaat.

OPMERKING: Het wordt aanbevolen de accu direct na ontvangst op te laden.

5. Schakel de elektriciteit UIT en verwijder het accupak uit de oplader om de tillift weer in gebruik te nemen. Bevestig het accupak aan de tillift en zorg ervoor dat de vergrendeling die de accu op zijn plaats houdt goed vastzit. "Klik" vast. Het opladen van de Oxford elektrische tilliften is eenvoudig en ongecompliceerd, maar het is belangrijk dat u de oplaadinstructies nauwgezet opvolgt. Let a.u.b. met name op de volgende aanwijzingen, waarmee u kunt voorkomen dat er zich problemen voordoen met het ontladen van accu's.

WAARSCHUWING

- **Accu's mogen NOOIT door onbevoegd personeel worden geopend. (Neem contact op met uw distributeur voor garantie en reparaties).**
- **RAAK de polen van de accu/oplader NOOIT aan.**
- **Controleer ALTIJD de accuspanningsmeter op het LCD-scherm.**
- **HOUD de accu's steeds opgeladen. Plaats de accu telkens wanneer de tillift niet wordt gebruikt, op de oplader. Of laad de accu's iedere nacht op, als u dit gemakkelijker vindt. Het is niet mogelijk de accu's te 'overladen'.**
- **Laat de accu's NOOIT volledig ontladen. Als het waarschuwingssignaal klinkt dat de accu's opgeladen moeten worden, maak dan de tilbeweging af waarmee u bezig bent, en plaats het voedingselement direct op de oplader.**

⚠ WAARSCHUWING

- Om mogelijke permanente schade aan de accu te voorkomen, dient de accu opgeladen te worden zodra het icoontje van een halflege batterij zichtbaar is.
- Als u het voedingselement voor langere tijd opbergt, zorg er dan voor dat u de accu's **REGELMATIG** oplaadt.
- Controleer **ALTIJD** of de stroomtoevoer naar de oplader is uitgeschakeld voordat u het voedingselement op de oplader plaatst of eraf haalt.
- Laat het voedingselement **NOOIT** in de oplader staan als de stroom niet is aangesloten.
- Laat de oplader **NIET** aan staan zonder dat er een accu in zit.
- **GEBRUIK** de lift **NIET** tijdens het opladen van de accu.
- Om schade aan de elektrische aansluiting te voorkomen, moet u steeds voordat u de lift verrijdt, **CONTROLLEREN** of hij niet is aangesloten op de oplader.
- **TREK NOOIT** de stekker van de oplader uit het contact door aan de kabel te trekken.
- **PAS OP** dat u niet over de laadkabel struikelt.
- Laad een elektrische tillift **NIET** op in een badkamer of doucheruimte.

9. Onderhoudsschema & Dagelijkse Controlelijst

Alle Oxford producten zijn ontworpen voor minimaal onderhoud. Toch zijn er sommige veiligheidscontroles- en procedures die moeten worden uitgevoerd. Hieronder volgt een schema van DAGELIJKSE taken. Dagelijkse controle en een zesmaandelijke onderhoudsbeurt, inspectie en tests zorgen ervoor dat de tillift in optimale conditie blijft. U kunt een lijst met vervangingsonderdelen ontvangen op aanvraag.

De BELASTINGSTEST en certificatie moeten alleen uitgevoerd worden door bevoegd personeel of een geautoriseerde service agent / dealer.

DAGELIJKSE CONTROLELIJST: Joerns Healthcare raadt sterk aan de volgende dagelijkse controles uit te voeren voordat u de tillift gebruikt.

- ZORG ERVOOR dat de tillift vrij kan bewegen op de zwenkwielen.
- ZORG ERVOOR dat het juk vrij kan draaien en schommelen.
- CONTROLEER of het juk stevig aan de tilarm is bevestigd.
- ONDERZOEK de ophangpunten van het juk en de zij-ophangers op overmatige slijtage.
- ZORG ERVOOR dat het onderstel correct spreidt en sluit.
- GEBRUIK de handbediening om te controleren of de tilarm goed omhoog en omlaag beweegt.
- Bedien de handbediening om te bevestigen of het geïntegreerde elektrische tiljuk functioneert (afhankelijk van model).
- ZORG ERVOOR dat het display van de schakelkast GEEN steeksleutelsymbool heeft en dat er geen hoorbare pieptoon is wanneer de knoppen Omhoog / Omlaag worden ingedrukt.
- Test de werking van de noodstopknop van elektrische tilliften.
- ONDERZOEK tilbanden voor slijtage of andere schade. Gebruik een tilband NIET als deze beschadigd is.
- STEL VAST dat de tillift geen lage accuspanning-alarm laat afgaan wanneer de handbediening wordt gebruikt. Als het alarm afgaat, gebruik de tillift NIET maar laadt hem onmiddellijk op.
- ZORG ERVOOR dat de actuatorklemmen goed zijn vastgedraaid.
- CONTROLEER VISUEEL alle bevestigingen en bevestigingen en zorg ervoor dat ze goed vastzitten voor gebruik.

Onderhoud, Inspecties En Tests

Joerns Healthcare raadt aan om regelmatig een grondige inspectie en tests van de Oxford Presence tillift en accessoires (tilbanden, weegschaal enz.) uit te voeren. Inspectiefrequenties variëren per land. Controleer daarom bij uw dealer of lokale overheidsinstelling hoe vaak een inspectie vereist is. De inspectie en tests moeten worden uitgevoerd aan de hand van onderstaande aanbevelingen en procedures. Joerns Healthcare raadt aan om onderhoud, inspectie en gecertificeerde tests alleen te laten uitvoeren door geautoriseerde service agents of dealers.

LET OP: Met deze aanbevelingen wordt voldaan aan de vereisten van de Britse verordening No2307 Health and Safety: The Lifting Operations and Lifting Equipment Regulations 1998. Controleer a.u.b. de wettelijke vereisten in uw land.

Reiniging

Reinig met gewone zeep en water en/of desinfectiemiddel voor harde oppervlakken. Vermijd agressieve chemische schoonmaakmiddelen of schuurmiddelen. Deze kunnen de afwerking van de tillift beschadigen. Maak de elektrische onderdelen niet nat. Na het reinigen moet het apparaat grondig worden gedroogd.

Afvalverwerking

Accu: Alle accu's in het product en begeleidende accessoires moeten apart worden gerecycled. De afvalverwerking van accu's dient plaats te vinden volgens lokale of nationale regelgeving.

Tilbanden: Tilbanden en gerelateerde accessoires moeten volgens lokale of nationale regelgeving als brandbaar afval worden gesorteerd.

***DE VOLGENDE CONTROLES MOETEN WORDEN
UITGEVOERD:**

	Aanvankelijk	Voor gebruik	Onderhoud- sintervallen
1. JUK: controleer of het juk vrij kan draaien en schommelen. Controleer het centrale draaipunt op slijtage. Controleer de bevestiging aan de tilarm.	✓	✓	✓
2. TILARM: controleer de bevestiging van de tilarm aan de mast. Vergewis u ervan dat de tilarm slechts minimaal zijwaarts kan bewegen en dat de tilarm vrij kan roteren op de lagers.	✓	✓	✓
3. MAST: controleer de werking van het mastvergrendelelement. Controleer of de mast volledig in de opening zakt. Controleer de servomotor aan de onderkant van het toestel.	✓	✓	✓
4. ACTUATOR: De actuator vereist geen ander onderhoud dan controle op een juist functioneren en luisteren naar ongebruikelijke geluiden.			✓
5. SMART MONITOR: Controleer de werking van de noodstopknop. Controleer of het contact van de handbediening goed is geplaatst. Controleer of de handbediening correct functioneert. Controleer de extra bedieningsknoppen en stel vast of ze functioneren zoals bedoeld.	✓	✓	✓
6. ACCU'S: de accu's bevinden zich in het accupak en vereisen buiten het regelmatig opladen zoals beschreven in de oplaad instructies geen ander onderhoud. Controleer of de aansluitingen schoon zijn.			✓
7. AFSTELLEN ONDERSTEL: controleer of het onderstel volledig spreidt en sluit	✓	✓	✓
8. ZWENKWIEL: controleer of alle zwenkwieken goed aan het onderstel bevestigd zijn. Controleer of de zwenkwieken vrij zwenken en draaien.	✓	✓	✓
9. REINIGING: reinig met gewone zeep en water en/of desinfectiemiddel voor harde oppervlakken. Vermijd agressieve chemische schoonmaakmiddelen of schuurmiddelen. Deze kunnen de afwerking van de tillift beschadigen. Maak de elektrische onderdelen niet nat. Na het reinigen moet het apparaat grondig worden gedroogd.		✓	✓
10. BELASTINGTEST: De belastingtest moet worden uitgevoerd in overeenstemming met de testprocedures van de fabrikant. Het wordt sterk aanbevolen de test door een erkende servicedealer te laten uitvoeren.			✓
11. VOETSTUK EN ONDERSTEL: zorg ervoor dat het onderstel gelijk en vlak is (alle vier de wielen op de grond).	✓	✓	✓
12. TILBANDEN: controleer op slijtage en rafelen.	✓	✓	✓
13. SMERING: smeer de draaigewrichten waaronder mast- en tilarmverbindingen, pedaal elementen, jukgewricht (alleen indien nodig).			✓
14. HANDBEDIENING: zorg dat deze goed aan het bedieningspaneel is verbonden	✓	✓	
15. SNELSLUITPEN: zorg ervoor dat de pen goed vastzit voordat u aan uw tilhandelingen begint, door op het uiteinde met de weerhaken te duwen.	✓	✓	
16. BEVESTIGINGSMATERIALEN: Controleer alle bouten, moeren, schroeven en bevestigingsmaterialen op overmatige slijtage en of ze goed zijn aangedraaid. Vervang indien nodig.			✓

	Aanankelijk	Voor gebruik	Onderhoud- sintervallen
17. GEÏNTEGREERD ELEKTRISCH KANTELJUK (AFHANKELIJK VAN MODEL) Controleer via de handbediening of het geïntegreerde elektrische kanteljuk in beide richtingen functioneert. De actuator vereist geen ander onderhoud dan controle op een juist functioneren en luisteren naar ongebruikelijke geluiden.	✓	✓	✓

10. Technische Specificaties

Maximale tilbelasting	227 kg
Maximale totale lengte	1460 mm
Minimale totale lengte	1400 mm
Maximale totale hoogte	2065 mm
Minimale totale hoogte	1460 mm
Maximale hoogte juk	1910 mm
Minimale hoogte juk	430 mm
Hoogte bij maximaal bereik.....	1310 mm
Bereik bij maximumhoogte	650 mm
Bereik bij minimumhoogte.....	400 mm
Maximaal bereik*	930 mm
Draairadius	1630 mm
Onderstel gespreid – externe breedte.....	1150 mm
Onderstel gespreid – interne breedte.....	1020 mm
Onderstel gesloten – externe breedte.....	670 mm
Onderstel gesloten – interne breedte.....	550 mm
Totaalhoogte poten	120 mm
Bodemspeling.....	35 mm
Voorste zwenkwielen.....	100 mm
Achterste zwenkwielen met rem	100 mm

*Bereik = middelpunt van het juk tot de voorkant van de mast

Vierpuntsjuk (gemeten tot bovenkant bevestigingshaken)

Maximale hoogte juk	1550 mm
Minimale (functionele) hoogte juk	390 mm

Gewicht

Mast, onderstel en tilarm	37 kg
(inclusief tweepuntsjuk)	
Mast, onderstel en tilarm	46 kg
(Met geïntegreerd elektrisch kanteljuk)	
Accupak	3 kg
Totaal.....	40 kg
Onderstel (zonder accu).....	20 kg
Mast & tilarm (zonder accu)	17 kg
Vierpuntsjuk.....	6 kg

Alle metingen vallen binnen een +5/-5 afwijkingsgraad.

ELEKTRISCHE SPECIFICATIES

ACCUS	12 Volt gesloten lood/zuur type, oplaadbaar
ACCUCAPACITEIT	3,2 Ampère-uur
NOMINAAL OPGENOMEN VERMOGEN OPLADER	100 - 240 V AC/ 50/60 Hz
NOMINAAL AFGEGEVEN VERMOGEN OPLADER	29.5 VDC, Max. 19 W

BESCHERMINGSMAATREGELEN TEGEN ELEKTROSTATISCHE ONTLADING

OPLADER	KLASSE II (EN 60601-1)
TILLIFT	INTERNE STROOMBRON

BESCHERMINGSGRAAD

OPLADER	TYPE B (EN 60601-1)
TILLIFT	TYPE B (EN 60601-1)

OMGEVINGSVOORWAARDEN:

Wanneer de omgevingsvoorwaarden worden overschreden, komen functionaliteit en veiligheid in gevaar.

OPERATIONELE VOORWAARDEN:

Temperatuur	5°C tot 40°C
Relatieve vochtigheid	20% tot 90% bij 30°C niet-condenserend
Atmosferische druk	700 hPa tot 1060 hPa

OPBERGVOORWAARDEN:

Temperatuur	-10°C tot +50°C
Relatieve vochtigheid	20% tot 90% bij 30°C niet-condenserend
Atmosferische druk	700 hPa tot 1060 hPa

IP-CLASSIFICATIES:

Bedieningskast	IPX4
Actuator	IPX4
Afzonderlijke oplader	IPX5
Accu	IPX5
Handset	IPX5

BEDRIJFSCYCLI:

Actuator	10% (2 min/18 min)
Accu	Approx. 4 hrs

AKOESTIEKA

Gewogen geluidsvermogensniveau	60 dB (A)
--------------------------------	-----------

BELANGRIJKSTE SYMBOLEN:

De volgende symbolen worden op de oplader, bediening en accu gebruikt:



Dit product is een medisch hulpmiddel in overeenstemming met de EU-verordening Medische hulpmiddelen 2017/745.



Type B-apparatuur, volgens EN 60601-1



Klasse 2 apparatuur



Het weggooien van batterijen mag niet met het gewone huishoudelijke afval worden gemengd. De afvalverwerking van accu's dient plaats te vinden volgens lokale of nationale regelgeving.



Het weggooien van elektronica mag niet worden gemengd met algemeen huishoudelijk afval.



Voor gebruik binnenshuis



LET OP, raadpleeg meegeleverde documenten.



Raadpleeg de gebruikersinstructies voor gebruik. (Blauwe achtergrond).



Certificeringskeurmerk dat aangeeft dat wordt voldaan aan de toepasselijke eisen voor producten die in Groot-Brittannië worden verkocht.



Een contactpunt tussen de niet-Europese fabrikant van medische hulpmiddelen, de nationale bevoegde autoriteiten (ministerie van Volksgezondheid) en de aangemelde (keuring)instanties.



Een uniek identificatienummer dat is bedoeld om een enkele, mondiaal geharmoniseerde, positieve identificatie van medische apparatuur tijdens distributie en gebruik te bieden.



Geeft aan door welke entiteit het medische hulpmiddel in het betreffende land wordt geïmporteerd.

11. Garantie

Joerns Healthcare beschikt over een gevestigd netwerk van erkende distributeurs en onderhoudsmonteurs. Zij helpen u graag met al uw vragen betreffende uw aankoop, garantie, reparaties en onderhoud. Wij adviseren onze producten bedrijfsklaar te laten maken door uw erkende distributeur of onderhoudsmonteur.

De distributeur of onderhoudsmonteur voert het garantieschema uit; daarom is het belangrijk de naam, het adres en het telefoonnummer van deze personen te noteren, zodat u contact met hen kunt opnemen wanneer zich problemen voordoen. Als u niet zeker weet waar uw lift werd aangekocht, kan Joerns Healthcare aan de hand van het serienummer nagaan door welke leverancier het product werd geleverd.

Alle garantieclaims zijn onder voorbehoud van het juiste gebruik en onderhoud in overeenstemming met de gebruikershandleiding die met iedere product wordt meegeleverd. Schade die is veroorzaakt door gebruik in een ongeschikte omgeving of het nalaten van het onderhoud in overeenstemming met de onderhouds- en gebruikersinstructies, wordt niet gedekt. Uw grondwettelijke rechten worden niet aangetast!

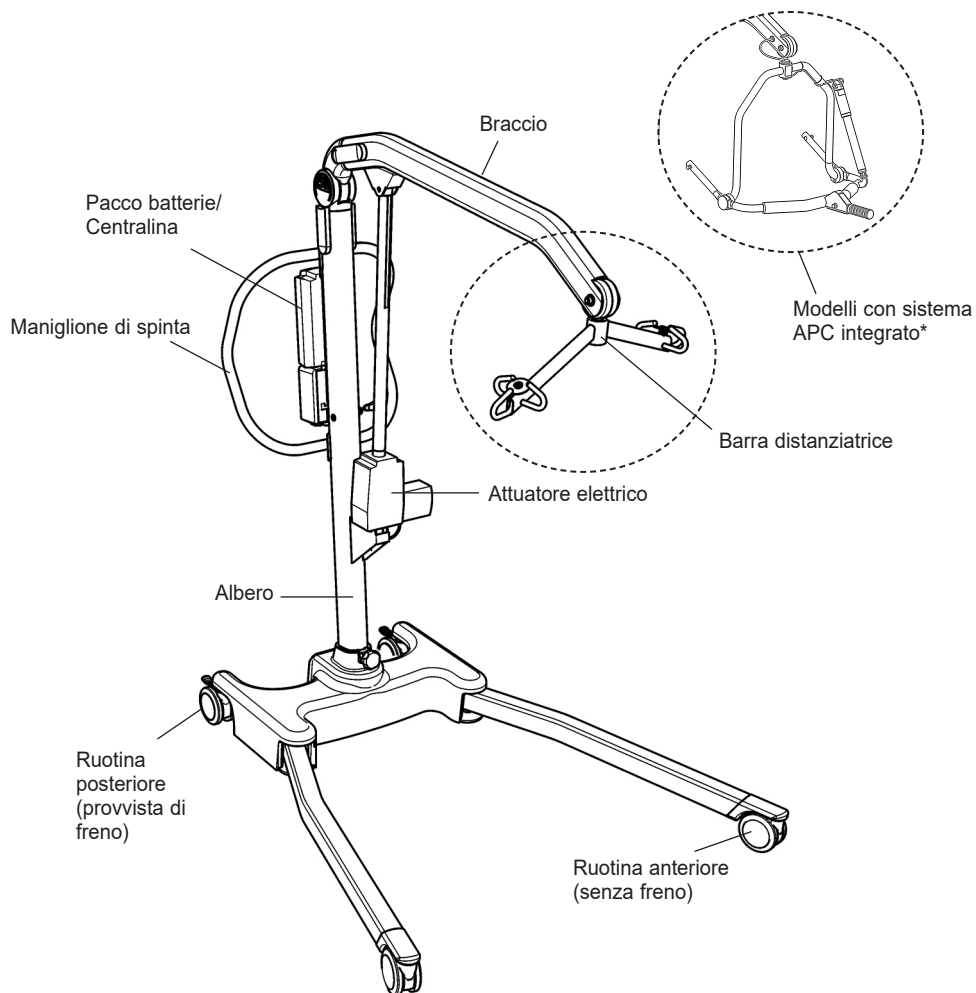
ONTHOUD: Neem contact op met uw erkende distributeur of onderhoudsmonteur voor aankopen, reparaties, onderhoud en gecertificeerd onderhoud.

Uw distributeur:

Sommario

1. Il sollevatore Oxford Presence	157
2. Introduzione: Informazioni sul sollevatore.....	158
3. Istruzioni per il montaggio e la messa in opera	159
4. Misure di sicurezza	165
5. Smart Monitor e Unità palmare	167
6. Istruzioni per l'uso	172
7. Rimozione della barra distanziatrice e del sistema a culla	175
8. Istruzioni per la carica	177
9. Programma di manutenzione	179
10. Specifiche tecniche	182
11. Garanzia.....	185

1. Il sollevatore Oxford Presence



* Sui modelli Presence standard non è possibile montare in un secondo momento un sistema APC integrato. È necessario richiederlo al momento dell'ordine. In alternativa, come opzione, è possibile ordinare separatamente un sistema APC motorizzato indipendente.

2. Introduzione: Informazioni sul sollevatore

Ciascun sollevatore Presence viene completamente montato, certificato e testato per il carico prima di essere imballato/spedito.

L'imballaggio consiste in una scatola molto resistente, costruita appositamente e utilizzata per il trasporto per garantire l'integrità del sollevatore fino alla consegna. Insieme ad ogni sollevatore vengono forniti, in una busta, vari documenti che devono essere conservati per eventuali consultazioni future.

• CERTIFICATO DEL TEST • MANUALE D'USO • LISTA DI CONTROLLO DEL CONTENUTO

Il CERTIFICATO DI PROVA è un documento importante e dovrebbe essere conservato per futuro riferimento.

Per una corretta manutenzione del sollevatore fare riferimento alla sezione relativa alla manutenzione programmata di questo documento. Se non si è sicuri dei requisiti richiesti dal Centro di assistenza del Paese di residenza rivolgersi al rivenditore e/o a un'agenzia governativa locale.

⚠ AVVERTENZA

Prima dell'uso quotidiano del sollevatore è necessario attenersi attentamente alle indicazioni relative ai controlli quotidiani riportate in questo manuale.

Marchio CE: Il sollevatore Oxford Presence ha il marchio CE e ottempera alla:



- Direttiva sui dispositivi medici 2017/745
- Direttiva sulla compatibilità elettromagnetica 2014/30/EU
- Direttiva sul basso voltaggio 2014/35/EU

Destinazione d'uso

Questo dispositivo di sollevamento consente di sollevare e trasferire in sicurezza un utente da una posizione orizzontale a una diversa (per es., da un letto a una carrozzina). Joems Healthcare raccomanda che il trasferimento di un paziente venga effettuato dopo un'attenta valutazione dei rischi e delle condizioni di sicurezza, ed esclusivamente per trasferimenti a breve distanza.

Il sollevatore Oxford Presence è adatto al sollevamento di pazienti nelle posizioni SEDUTA, SEDUTA/SUPINA e SUPINA. Oxford Presence è un sollevatore elettrico realizzato per il sostegno e la gestione in condizioni di sicurezza del paziente e dell'operatore durante il trasferimento.

Il sollevatore Oxford Presence è disponibile in due versioni: una con barra distanziatrice a 6 punti e una con sistema APC integrato (4-punti). Il sollevatore Oxford Presence con barra distanziatrice a 6 punti è compatibile anche con i sistemi di posizionamento a 4 punti disponibili come accessori. Tutte le configurazioni sono state progettate per essere usate con le imbracature della gamma Oxford. Qui di seguito vengono indicati gli esempi di imbracature adatte a questo dispositivo:

- Oxford Quickfit
- Oxford Access
- Oxford Quickfit Deluxe
- Oxford Full Back
- Oxford Comfort
- Oxford Silkfit
- Oxford Long Seat

⚠ AVVERTENZA

I sollevatori Oxford Patient devono essere manovrati esclusivamente da personale addestrato/competente.

Vita utile prevista

I sollevatori Oxford Professional sono stati progettati e sottoposti a prova per assicurare una loro vita utile di 10 (dieci) anni, sempre che siano state rispettate le procedure d'uso e di manutenzione riportate in questo manuale. L'utilizzo diverso da quello descritto in queste istruzioni può abbreviarne la durata di vita del prodotto.

Segnalazione di incidenti gravi

Nel caso in cui durante l'uso di questo prodotto si sia verificato un incidente grave che abbia coinvolto l'utente o l'assistente è necessario segnalarlo al fabbricante del prodotto o al rivenditore autorizzato. Se l'incidente si verifica in uno Stato dell'Unione europea (UE) lo si deve segnalare anche all'Autorità competente dello Stato membro di residenza.

3. Istruzioni per il montaggio e la messa in opera

Contenuto delle scatole

Sistemare il cartone con dentro il sollevatore in uno spazio libero e aprirlo con cautela. Nel cartone sono incluse le seguenti parti:

- SOLLEVATORE OXFORD PRESENCE
- BUSTA CONTENENTE I DOCUMENTI
- COMANDO MANUALE
- PACCO BATTERIE
- CAVO PER LA RICARICA
- CARICABATTERIA DA SCRIVANA/SUPPORTO

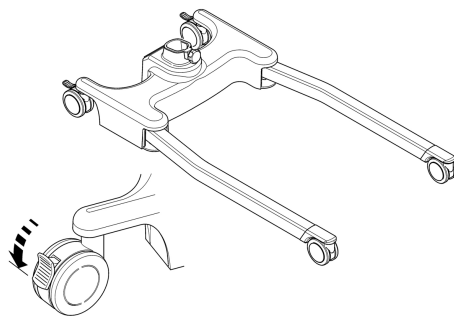
⚠ AVVERTENZA

Il sollevatore Oxford Presence è pesante e va estratto dal cartone con cautela. Per estrarlo potrebbe essere necessario chiedere aiuto.

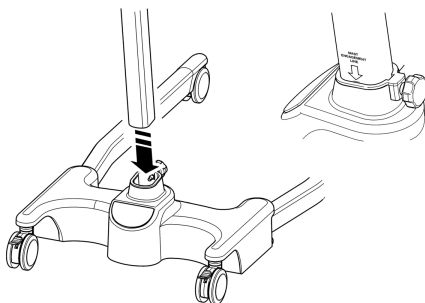
Istruzioni per il montaggio

1. Svuotare le scatole e collocare il contenuto sul pavimento prestando attenzione a non danneggiare la superficie dei vari componenti.

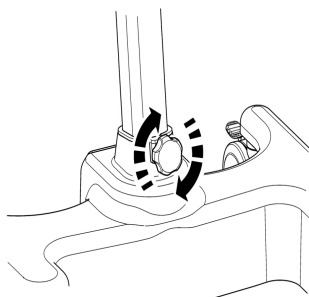
Collocare il telaio in uno spazio libero e azionare i freni posteriori.



2. Montare l'albero e il braccio nell'incavo del telaio.



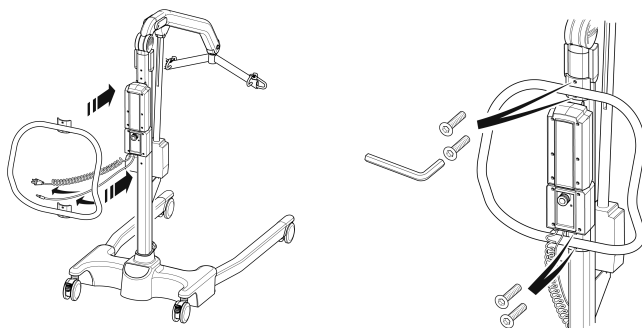
3. Stringere l'albero usando il meccanismo di blocco, situato nella parte anteriore del telaio.



⚠ AVVERTENZA

Prestare attenzione a non pizzicarsi le dita. Tenerle lontane dall'estremità della colonna durante l'inserimento nella base. L'inserimento completo della colonna è indicato dall'etichetta sul lato della colonna. La base non funziona a meno che l'albero non sia completamente inserito.

4. Stringere a mano la manopola di blocco.
5. Allineare la maniglia al retro dell'albero, quindi fissarla usando gli appositi attacchi. Gli attacchi e la chiave necessari per fissare la maniglia sono contenuti nella busta per i documenti.
- NOTA:** Prima di attaccare la maniglia all'albero, assicurarsi di lasciare fuori tutti i cavi flessibili.



6. Montare il pacco batterie sul sollevatore e chiudere il gancio che fissa il pacco scatti in posizione.

Collegamento iniziale del sistema APC integrato

ATTENERSI RIGOROSAMENTE ALLE ISTRUZIONI SEGUENTI

Il sistema APC integrato deve essere collegato al sollevatore e connesso elettricamente prima dell'uso da un tecnico specializzato. Il sistema APC integrato è collegato al braccio tramite un perno a sgancio rapido standard di Presence e una connessione elettrica all'interno del braccio.

CONNESSIONE

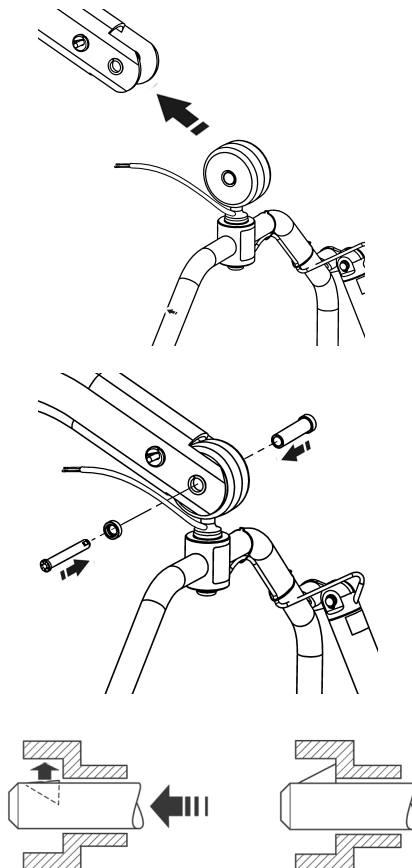
Collegamento del sistema di posizionamento:

Spostare il sistema APC integrato verso l'apertura del braccio.

Inserire il manicotto del perno nel cappello di plastica terminale e sostenere il sistema APC integrato.

Dopo averlo allineato all'apertura del braccio reinserire completamente il perno a sgancio rapido nel manicotto fino a quando si blocca in posizione. ASSICURARSI CHE IL PERNO SIA MONTATO CORRETTAMENTE.

A questo scopo premere il dito nell'estremità dove si trova lo spinotto a molla. Se il perno non si muove, il sollevatore può essere utilizzato in modo sicuro.



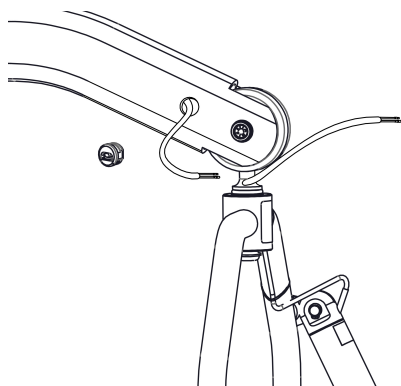
CONNESSIONE

Connessione elettrica:

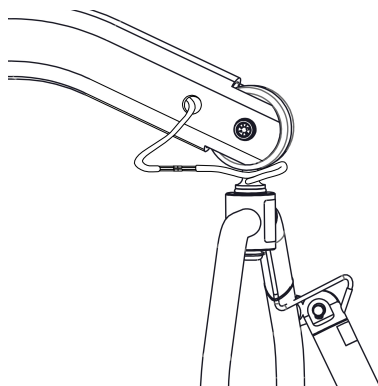
Verificare che la batteria sia scollegata e che la centralina di controllo sia spenta.

1. Rimuovere il fermacavo dal braccio con un piccolo cacciavite a lama.
Individuare e fare passare le estremità dei fili attraverso il foro laterale del braccio.
2. Connettere gli spinotti delle estremità dei cavi a quelli dei cavi provenienti dal sistema APC integrato.
3. Applicare il fermacavo attorno al cavo da 150 mm in corrispondenza dell'ingresso del cavo dello spinotto del sistema di posizionamento.
4. Inserire il cavo in eccesso, compresi gli spinotti, nel foro e nel braccio.
5. Inserire di nuovo il fermacavo nel foro del braccio, accertandosi che rimanga pressato durante l'inserimento.
6. Verificare che fra il braccio e il sistema APC integrato vi siano ancora 150 mm di cavo libero.

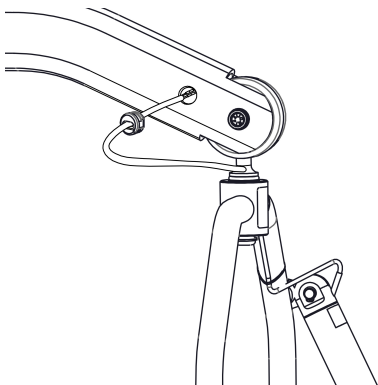
1



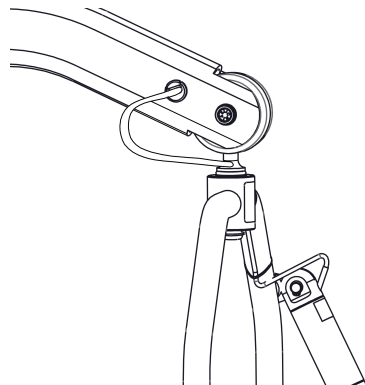
2



3



5

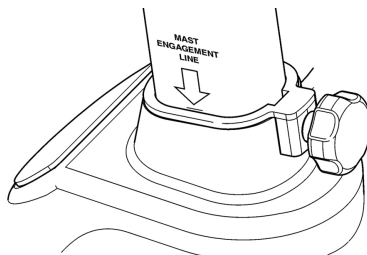


SMONTAGGIO

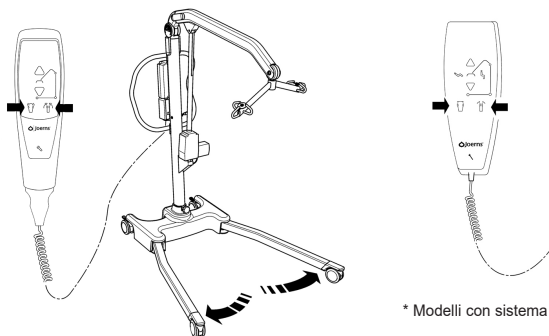
Non smontare il sollevatore a meno che non sia necessario eseguirne la manutenzione, la riparazione o il trasporto. Per smontarlo, seguire la procedura di montaggio al contrario.

CONTROLLARE SEMPRE QUANTO SEGUE PRIMA DI UTILIZZARE IL SOLLEVATORE

- L'albero è saldamente bloccato in posizione.

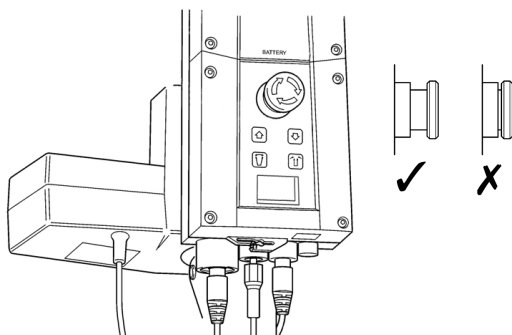


- La base del sollevatore si apre e si chiude senza problemi (usando il telecomando).

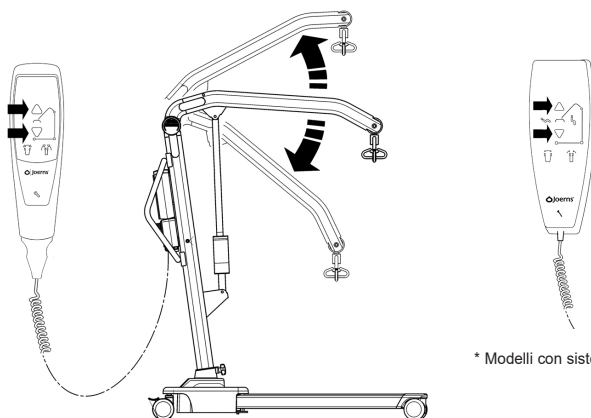


* Modelli con sistema APC integrato.

- Il pulsante rosso di arresto di emergenza sulla parte posteriore della centralina è nella posizione OFF (non attivo).

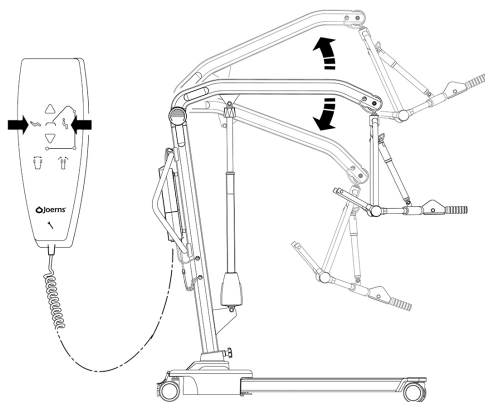


- Premere i pulsanti su e giù sul telecomando per verificare che il braccio si alzi e si abbassi.



* Modelli con sistema APC integrato.

- Sui modelli con APC integrato, premere i pulsanti dell'utente seduto dell'unità palmare e confermare il corretto riposizionamento del sistema di posizionamento.



4. Misure di sicurezza

Leggere e attenersi alle misure di sicurezza riportate di seguito. Il funzionamento e l'uso dei sollevatori Oxford è semplice e chiaro. Il rispetto di queste poche misure di sicurezza di base consentirà di eseguire le operazioni di sollevamento facilmente e senza inconvenienti.

LEGGERE ED ASSICURARSI DI AVER COMPRESO IL MANUALE D'USO PRIMA DI UTILIZZARE IL SOLLEVATORE PRESENCE

AVVERTENZA: Informazioni di sicurezza importanti relative ai possibili rischi che potrebbero causare lesioni gravi.

ATTENZIONE: Informazioni per prevenire danni al prodotto.

NOTA: Informazioni alle quali prestare particolare attenzione.

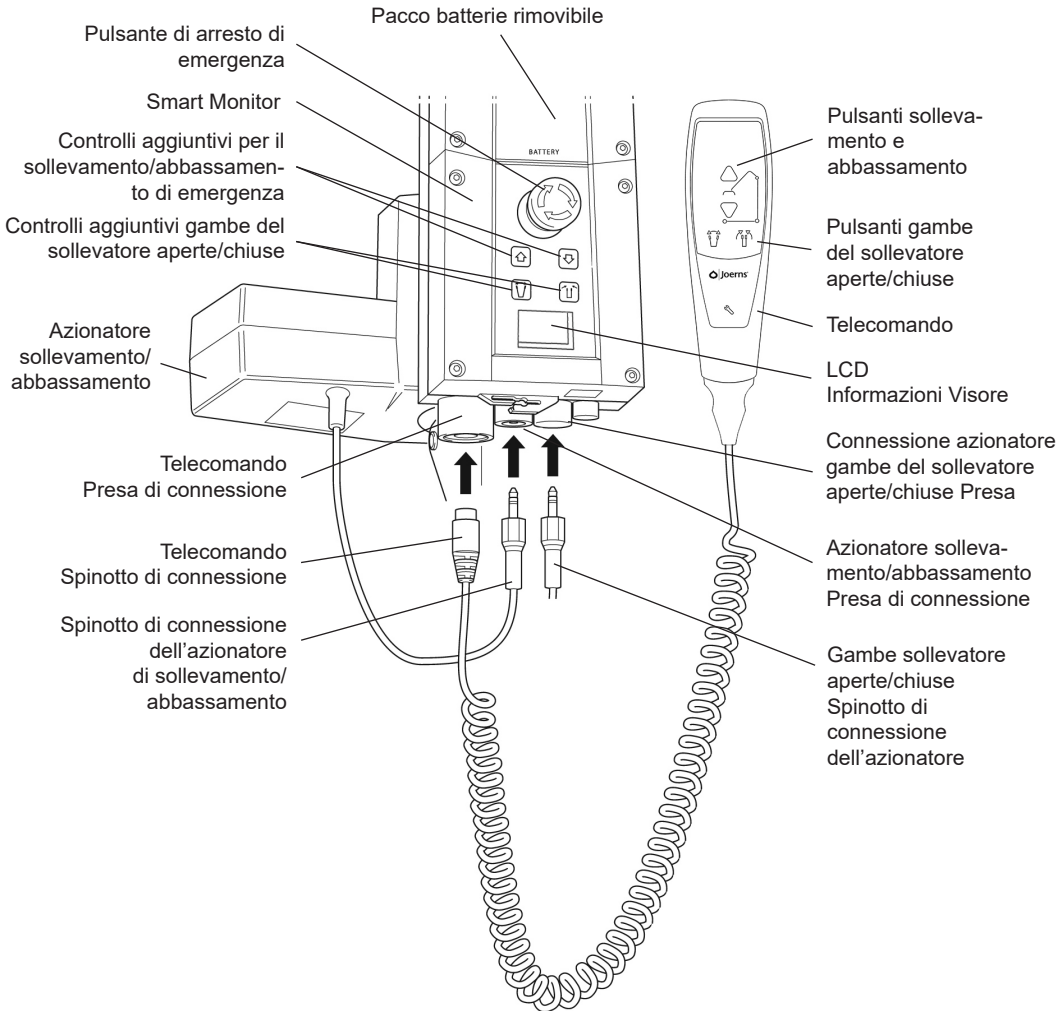
AVVERTENZA

- I sollevatori Oxford Patient devono essere manovrati esclusivamente da personale addestrato/competente.
- Pianificare **SEMPRE** le operazioni di sollevamento prima di cominciare.
- Prima di usare il sollevatore eseguire **SEMPRE** i punti riportati nell'**ELENCO DEI CONTROLLI QUOTIDIANI** (vedi più avanti in questo manuale per l'utente).
- Acquisire **SEMPRE** dimestichezza con i comandi e i dispositivi di sicurezza del sollevatore prima di sollevare un paziente.
- **NON** usare un'imbracatura non indicata per il sollevatore.
- Controllare **SEMPRE** che l'imbracatura sia adatta al paziente e sia della taglia e della portata corrette.
- **NON** usare un'imbracatura logora o danneggiata.
- Applicare l'imbracatura attenendosi **SEMPRE** alle istruzioni fornite (Istruzioni per l'utente).
- Controllare **SEMPRE** che la portata massima del sollevatore sia adeguata al peso del paziente.
- Eseguire **SEMPRE** le operazioni di sollevamento secondo le istruzioni fornite nel manuale d'uso.
- **NON** scollegare o bypassare un comando o un dispositivo di sicurezza solo perché sembra più facile far funzionare il sollevatore.
- **NON** sollevare un paziente se i freni delle ruote piroettanti sono inseriti. Lasciare sempre che il sollevatore trovi autonomamente il proprio baricentro.
- **NON** tentare di spostare il sollevatore spingendo la colonna, il braccio o il paziente.
- Manovrare **SEMPRE** il sollevatore con l'apposita maniglia.
- Abbassare **SEMPRE** il paziente nella posizione più bassa e comoda possibile prima degli spostamenti.
- **NON** spingere un sollevatore carico a velocità superiori a un passo d'uomo lento (3 km/h 0,8 m/sec.).
- **NON** spostare il sollevatore su superfici non uniformi o sconnesse, soprattutto quando sostiene un paziente.

- **NON tentare di spingere/tirare un sollevatore carico per superare ostruzioni del terreno che le rotelle orientabili non sono in grado di superare.**
- **NON forzare alcun comando o dispositivo di sicurezza. Tutti i comandi sono facili da usare e non è necessaria una forza eccessiva.**
- **Il carico MINIMO richiesto per abbassare manualmente l'unità di sollevamento per un abbassamento meccanico di emergenza è di 30 kg.**
- **NON lasciare un sollevatore carico su una superficie in pendenza.**
- **NON usare i sollevatori elettrici nella doccia.**
- **NON ricaricare un sollevatore elettrico nel bagno o nella stanza della doccia.**
- **NON sollevare un paziente a meno che non si abbia ricevuto la formazione adeguata e si sia in grado di farlo.**
- **IL SOLLEVATORE è stato ideato per il sollevamento di persone. NON usarlo o permettere che venga usato per alcun altro scopo.**
- **NON urtare gradini con il sollevatore, sia carico che privo di carico.**
- **NON tentare di spingere un sollevatore carico su un pendio con una pendenza superiore a 1:12 (circa 5 gradi).**
- **NON tentare di affrontare una superficie in pendenza senza l'aiuto di un altro operatore.**
- **Prima di muoverlo, verificare SEMPRE l'assenza di carico sul sollevatore in quanto si potrebbero danneggiare le connessioni elettriche.**

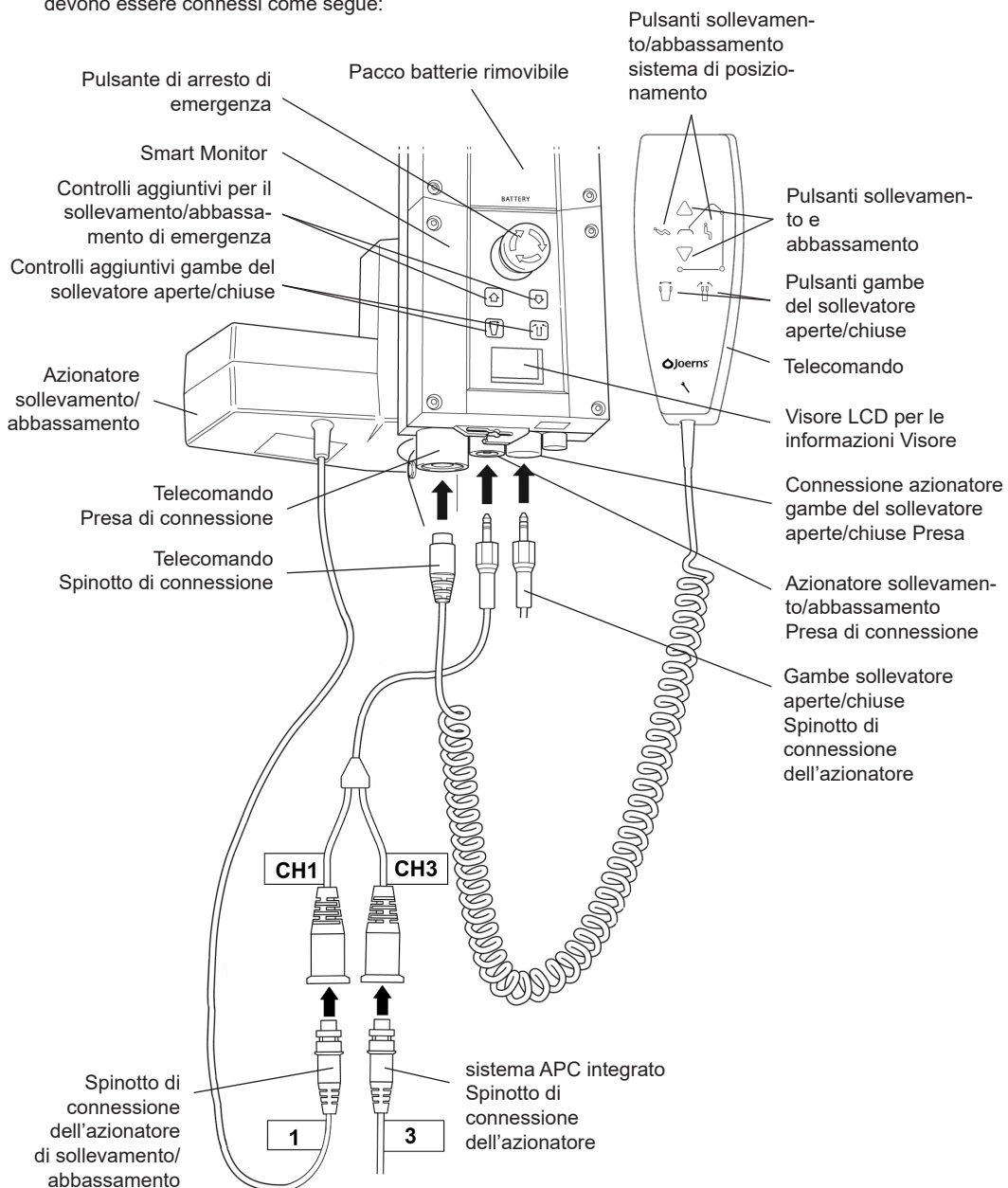
5. Smart Monitor e Unità palmare

Standard Presence



Presence con sistema APC integrato

Sui modelli con sistema APC integrato il cavo di collegamento fra l'unità palmare e l'azionatore devono essere connessi come segue:



Destinazione d'uso

Oxford Smart Monitor è un sistema di controllo per le unità di sollevamento Oxford. Smart Monitor memorizza e consente di richiamare, quando necessario, le informazioni di assistenza utili relative all'unità di sollevamento. Le informazioni di assistenza comprendono:

- Numero di cicli di sollevamento del paziente.
- Attività totali avviate dall'azionatore.
- Numero dei sovraccarichi di sollevamento (tentativi di sollevamento oltre il carico massimo).
- Numero di giorni trascorsi dall'ultimo intervento di assistenza.

Oxford Smart Monitor è dotato di un microprocessore interno che consente di leggere sul visore LCD i dati relativi all'assistenza.

Caratteristiche

- Raccolta dei dati nella centralina di controllo e loro visualizzazione sul visore LCD.
- Contatore delle operazioni.
- Contatore intelligente dei cicli.
- Indicatore per l'assistenza.
- Indicatore per gli intervalli di assistenza.
- Informazioni sui sovraccarichi.
- Indicatore carica batteria (3 passi).


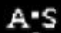


Benefici

- Maggiore sicurezza per il paziente e l'operatore.
- Disponibilità dei dati accurati di assistenza con la semplice pressione di un pulsante.
- Ciclo di vita ottimizzato del prodotto.
- Manutenzione semplificata per i tecnici e il Centro di assistenza.

Visore LCD

Oxford Smart Monitor consente di leggere le informazioni su un visore LCD. È possibile leggere il numero totale di cicli di sollevamento, delle attività avviate, dei sovraccarichi e dei giorni trascorsi dall'ultimo intervento di assistenza; queste informazioni potranno essere usate per consentire una rapida valutazione delle condizioni dell'azionatore del sollevatore.

Le informazioni sono accessibili con la pressione per ½ secondo del pulsante "UP" dell'unità palmare oppure con la pressione del pulsante aggiuntivo "UP" di Smart Monitor.

	12034	— Totale di cicli di sollevamento
	1257000	— Totale del lavoro svolto (Amp * Secondi)
	7	— Numero di sovraccarichi
	90/180	— Numero di giorni (dall'ultimo intervento di assistenza) / Numero di giorni (tra gli interventi di assistenza)

Informazioni sull'assistenza e l'utilizzo



Quando arriva il momento di richiedere assistenza, il visore lo segnalerà visualizzando il simbolo dell'assistenza. Inoltre, quando l'unità palmare è attiva, Smart Monitor emetterà un segnale sonoro per avvertire l'utente che è necessario un intervento di assistenza.

Il simbolo di segnalazione di assistenza viene visualizzato ogni volta che vengono premuti i pulsanti di sollevamento/abbassamento dell'unità palmare. Quando viene visualizzato il simbolo dell'assistenza è necessario contattare immediatamente un Centro di assistenza autorizzato per fissare un intervento.

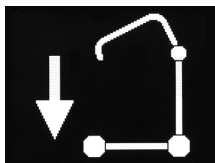


Se il sollevatore si arresta a causa di un sovraccarico (ovvero un tentativo di sollevare un carico superiore a quello di sicurezza) sul visore LCD appare il simbolo del sovraccarico e il sollevatore si arresta fino alla rimozione del carico in eccesso (superiore al limite di sicurezza).

AVVERTENZA

Se il visore LCD di Smart Monitor ha segnalato un sovraccarico, Joerns Healthcare raccomanda di procedere con **TUTTE** le routine di controlli quotidiani del sollevatore prima di utilizzarlo ulteriormente (per l'elenco dettagliato dei controlli quotidiani fare riferimento al manuale per l'utente del sollevatore). Per ulteriori chiarimenti Joerns Healthcare raccomanda inoltre di contattare un Centro di assistenza Oxford autorizzato.

Controlli aggiuntivi



I controlli aggiuntivi consentono di sollevare o abbassare il sollevatore in casi di emergenza.



Se il sollevatore è dotato di un posizionamento motorizzato delle gambe del sollevatore conterrà anche dei controlli aggiuntivi per consentirne l'apertura e la chiusura.

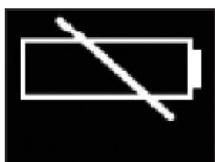
Informazioni sulla batteria



Quando il visore segnala una batteria completamente carica significa che la batteria è totalmente carica e che il sollevatore è pronto per l'uso.



Quando il visore indica che la batteria è carica solo a metà significa che è necessario ricaricarla.



Quando il visore visualizza il simbolo di batteria scarica significa che l'autonomia della batteria si è esaurita e che deve essere immediatamente ricaricata.

⚠ AVVERTENZA

Per evitare possibili danni permanenti alla batteria è necessario ricaricarla non appena sul visore compare il simbolo di batteria carica solo a metà.

6. Istruzioni per l'uso

⚠ AVVERTENZA

I sollevatori Oxford Patient devono essere manovrati esclusivamente da personale addestrato/competente.

1. Regolazione della base

La base del sollevatore Oxford Presence è regolabile elettricamente in larghezza. Può essere aperta per il posizionamento intorno a poltrone o carrozzine. Per lo trasferimento e il passaggio attraverso porte strette e passaggi difficili, la base del sollevatore deve essere chiusa.

Per regolare la base elettricamente, premere i pulsanti appropriati sul telecomando. La base si blocca ogni qualvolta venga rilasciato il pulsante del telecomando.

2. Ruote piroettanti e freni

Il sollevatore è dotato di due ruote piroettanti con freni che possono essere inseriti quando il sollevatore non viene usato. Durante le operazioni di sollevamento, le ruote piroettanti devono essere lasciate libere e con il freno disinserito. Il sollevatore sarà così libero di muoversi verso il proprio centro di gravità. Se i freni sono inseriti, il paziente pende verso il centro di gravità e ciò potrebbe mettere molto a disagio il paziente.

3. Sollevamento e abbassamento del braccio

Il movimento del braccio è conseguito da un attuatore elettrico potente, controllato da un semplice telecomando. Dotato di due pulsanti con le frecce direzionali SU e GIÙ. L'attuatore si arresta automaticamente quando raggiunge la fine della corsa in entrambe le direzioni. Il telecomando va inserito in una presa alla base della centralina. Sul lato posteriore dell'unità palmare è presente un gancio che consente di sistemarlo, quando non lo si usa, sul piantone o sul braccio del sollevatore.

4. Riposizionamento del sistema APC integrato (disponibile solo su alcuni modelli)

Sui modelli provvisti di sistema APC integrato è possibile usare l'unità palmare per la regolazione dell'azionatore elettrico del sistema di posizionamento. Sull'unità palmare vi sono due pulsanti che rappresentano un utente seduto in due diverse posizioni inclinate. Usare questi due pulsanti per spostare il sistema di posizionamento. L'attuatore si arresta automaticamente quando raggiunge la fine della corsa in entrambe le direzioni. Il rilascio del pulsante dell'unità palmare bloccherà la posizione raggiunta dal sistema di posizionamento.

5. Arresto di emergenza

Il pulsante rosso di arresto di emergenza è situato sulla parte anteriore della centralina e, per azionarlo, è necessario premerlo. L'alimentazione del sollevatore verrà così interrotta. Per ripristinarla, girare il pulsante in senso antiorario e rilasciarlo.

6. Controlli aggiuntivi

Le centraline di controllo di tutti i sollevatori Oxford prevedono la presenza di pulsanti per il sollevamento/abbassamento. Posizionati sotto il pulsante per l'arresto di emergenza consentono di abbassare/ sollevare il paziente nel caso di mancato funzionamento dell'unità.



7. Abbassamento meccanico di emergenza

L'attuatore elettrico è dotato di un dispositivo di abbassamento meccanico (LEVA ROSSA) che è possibile azionare in caso di guasto elettrico. Questo dispositivo funziona solo quando il sollevatore è sotto carico. Per attivarlo è necessario ruotare manualmente il dispositivo e rilasciare il pulsante. Viene così avviato un abbassamento graduale. Ripetere questo processo fino al completo abbassamento del paziente.

⚠ AVVERTENZA

Dopo aver usato questa funzione è **NECESSARIO** che un tecnico competente verifichi il sollevatore.

8. Batterie

Le batterie sono protette dal rischio di scarica completa da un ALLARME DI BATTERIE SCARICHE. Quando è necessario ricaricare le batterie e solo se si sta utilizzando il telecomando, viene emesso un segnale acustico. **ATTENZIONE: NON IGNORARE QUESTO ALLARME.** Completare l'operazione di sollevamento e mettere il sollevatore in carica (vedere le istruzioni per la carica).

⚠ AVVERTENZA

Per evitare possibili danni permanenti alla batteria è necessario ricaricarla non appena sul visore compare il simbolo di batteria carica solo a metà.

9. Imbracature

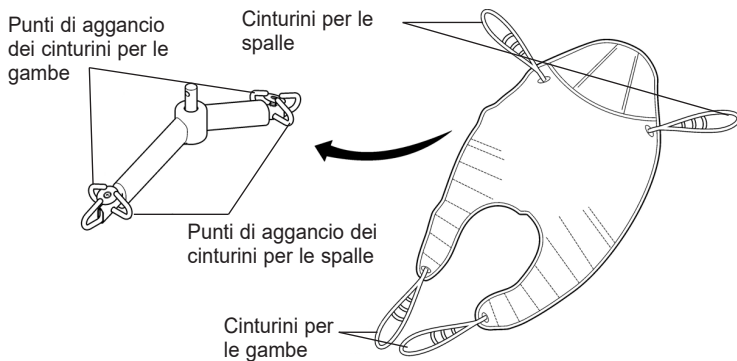
Il sollevatore Oxford Presence è dotato di una barra distanziatrice a 6 punti e di un sistema a culla a 4 punti. I due sistemi utilizzano metodi di aggancio ed imbracature differenti.

Il sistema a 6 punti utilizza delle imbracature con occhielli di tessuto colorati per le diverse posizioni. Il sistema a culla a 4 punti è dotato di un fermaglio di sicurezza Securi3. Per regolarlo, è necessario ruotarlo verso l'alto o il basso.

Imbracature con occhielli: Oxford Quickfit, Full Back, Quickfit Deluxe, Long Seat, Access e Silkfit

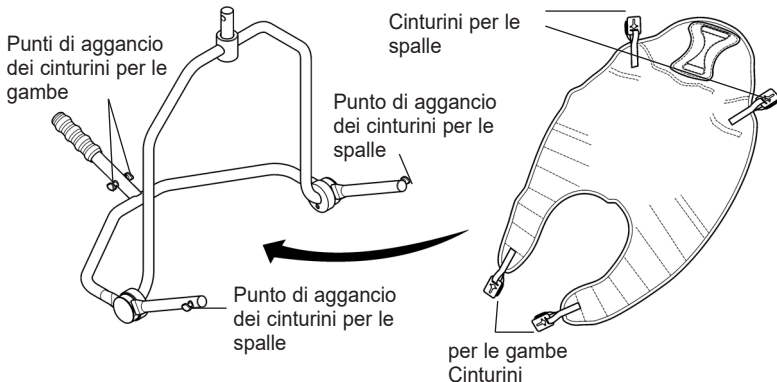
Imbracatura con fermaglio di sicurezza: Oxford Comfort

Per agganciare il sistema a 6 punti alla barra distanziatrice, utilizzare gli occhielli (vedere l'illustrazione riportata di seguito). L'imbracatura viene fornita con istruzioni da leggere attentamente prima di utilizzare il sollevatore.



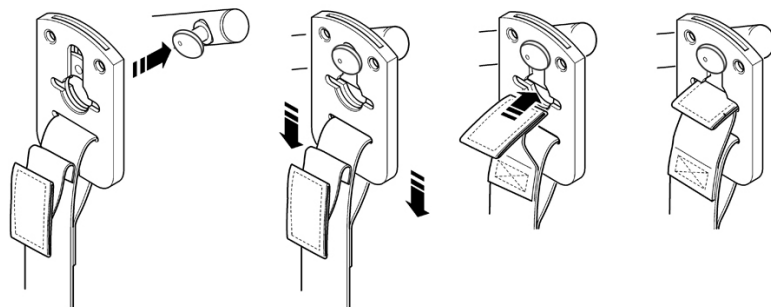
Barra distanziatrice a 6 punti. Esempio di un'imbacatura con occhielli per l'attacco a una barra distanziatrice a 6 punti.

Per attaccare l'imbracatura alle viti del sistema a culla a 4 punti, utilizzare il fermaglio di sicurezza (vedere l'illustrazione riportata di seguito). L'imbracatura viene fornita con istruzioni da leggere attentamente prima di utilizzare il sollevatore.



Sistema a culla a 4 punti:

Esempio di un'imbacatura per il sistema a culla a 4 punti con il fermaglio di sicurezza.



Sistema di attacco dell'imbracatura Securi3. Esempio di installazione.

NOTA: Per informazioni dettagliate sul montaggio fare riferimento alla guida per l'utente fornita con ogni imbracatura.

⚠ AVVERTENZA

Controllare regolarmente le imbracature, in particolare prima dell'uso e assicurarsi che non siano logore o danneggiate. In questo caso **NON** devono essere usate.

⚠ AVVERTENZA

OXFORD RACCOMANDA DI UTILIZZARE UNICAMENTE COMPONENTI OXFORD ORIGINALI. I prodotti di imbracatura e di sollevamento Oxford sono stati realizzati per essere fra loro compatibili. Per le linee guida nazionali specifiche sull'utilizzo e la compatibilità dell'imbracatura fare riferimento all'etichetta dell'imbracatura, oppure rivolgersi al proprio distributore locale o, direttamente, a Joerns Healthcare.

⚠ AVVERTENZA

Fare riferimento alla portata massima del sollevatore. La capacità dell'imbracatura è limitata alla portata massima del sollevatore.

7. Rimozione della barra distanziatrice e del sistema a culla

ATTENERSI RIGOROSAMENTE ALLE ISTRUZIONI SEGUENTI

⚠ AVVERTENZA

Se Oxford Presence è dotato di un sistema APC integrato **NON** tentare di rimuoverlo. Il cavo di alimentazione non consente alcuna rimozione e si potrebbe danneggiare il sollevatore.

Il sollevatore Presence consente di usare sia una barra distanziatrice a 6 punti che un sistema di posizionamento a 4 punti. Per rimuovere uno di questi sistemi, utilizzare il perno a sgancio rapido. La rimozione è rapida e facile, ma è necessario rispettare le seguenti misure di sicurezza per assicurarsi che la barra distanziatrice/sistema a culla sia bloccata in posizione prima dell'utilizzo.

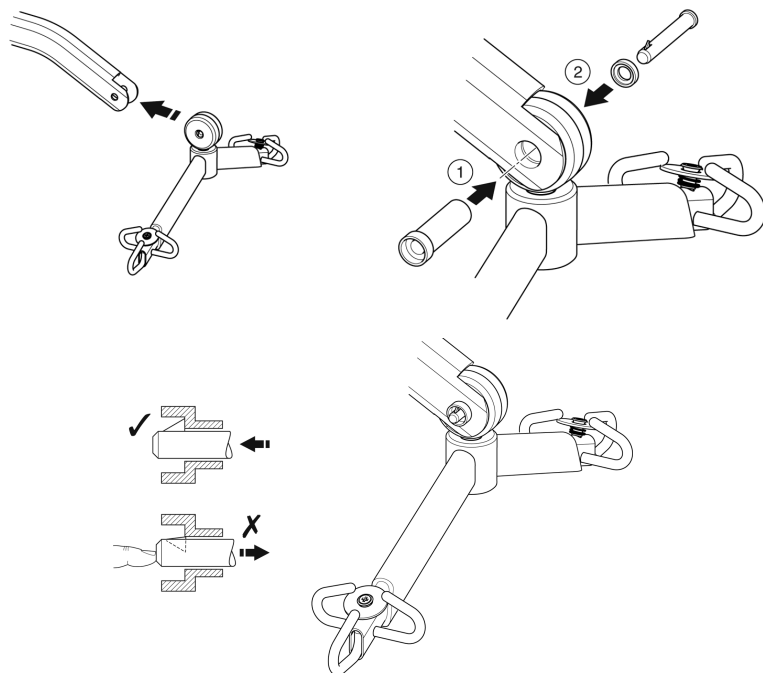
CONNESSIONE

Per collegarli, sollevare la barra distanziatrice/sistema di posizionamento in direzione dell'apertura del piantone.

Inserire il manicotto del perno attraverso l'attacco in plastica e sostenere il peso della barra distanziatrice/sistema a culla.

Dopo averli allineati alla fessura del piantone reinserire completamente il perno a sgancio rapido nel manicotto fino a quando si blocca in posizione. **ASSICURARSI CHE IL PERNO SIA MONTATO CORRETTAMENTE.**

A questo scopo premere il dito nell'estremità dove si trova lo spinotto a molla. Se il perno non si muove, il sollevatore può essere utilizzato in modo sicuro.



RIMOZIONE

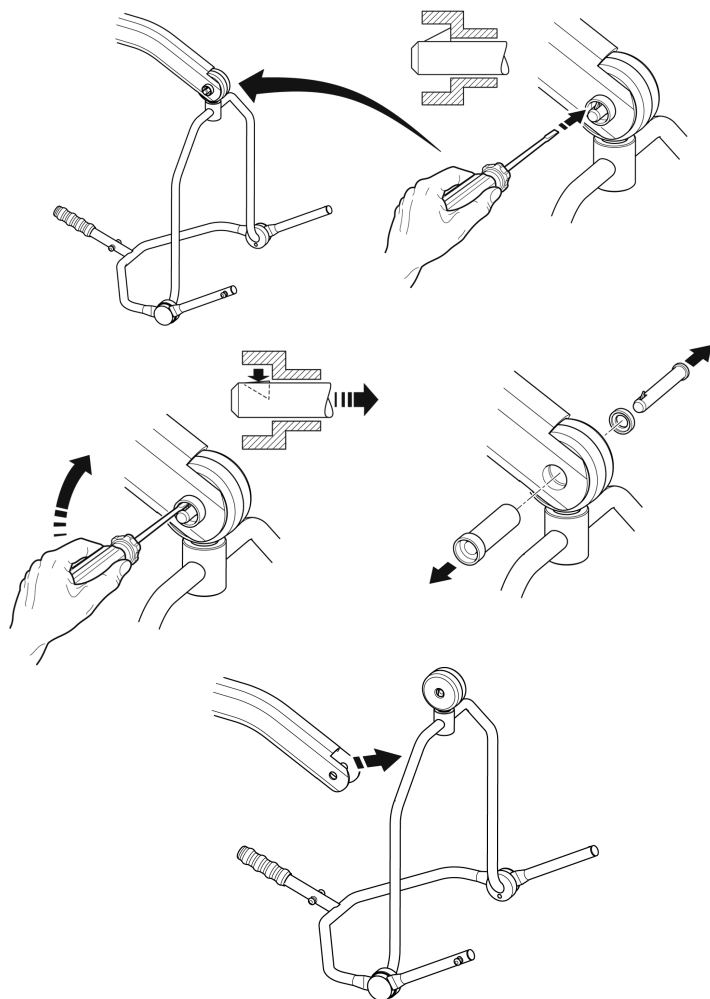
⚠ AVVERTENZA

Se Oxford Presence è dotato di un sistema APC integrato **NON** tentare di rimuoverlo. Il cavo di alimentazione non consente alcuna rimozione e si potrebbe danneggiare il sollevatore.

ATTENZIONE: Assicurarsi di sostenere il peso della barra distanziatrice/sistema a culla prima di rimuovere il perno.

Per staccare il perno, rilasciare lo spinotto a molla (con un cacciavite piatto o un attrezzo simile) ed estrarre il perno.

Sostenere il peso della barra distanziatrice/sistema a culla, quindi tirare il manicotto del perno nella direzione opposta estraendolo completamente dal braccio. La barra distanziatrice si sbloccherà completamente.



8. Istruzioni per la carica

Se è necessario ricaricare il pacco batterie, rimuoverlo dal sollevatore e collegarlo al caricabatteria esterno.

Joerns Healthcare consiglia di acquistare un pacco batterie di ricambio in modo tale che un pacco batterie sia sempre in carica.

1. Rimuovere il pacco batterie dal sollevatore. A questo scopo aprire il gancio situato nella parte superiore E sganciare il pacco.
2. Collegare il pacco al caricabatteria. Il pacco batterie si collega al caricabatteria come si collega al sollevatore.
3. Inserire la spina del caricabatteria in una presa di corrente.
4. La carica avverrà automaticamente e durerà quattro (4) ore.

Nota: Anche se si lascia il caricabatteria collegato per lunghi periodi, le batterie non si “sovraccaricano”.

- a) Indicatore luminoso verde – Indica la connessione all'alimentazione di rete.
- b) Indicatore luminoso giallo – Indica che la batteria è in fase di ricarica.
- c) Lo spegnimento dell'indicatore luminoso giallo indica il completamento della ricarica della batteria.

Nota: Si raccomanda di ricaricare la batteria immediatamente dopo la sua consegna.

5. Se si desidera usare il sollevatore, rimuovere il pacco batterie dal caricabatteria. Montare il pacco batterie sul sollevatore e chiudere il gancio che fissa il pacco. “Scatto” in posizione. L'operazione di carica dei sollevatori elettrici Oxford è semplice e chiara, ma è importante attenersi scrupolosamente alle istruzioni fornite. Prestare particolare attenzione ai seguenti punti per evitare che le batterie si scarichino.

AVVERTENZA

- Il caricabatteria, l'unità di controllo palmare e la centralina di controllo **NON** devono essere aperti da personale non autorizzato. (Per gli interventi in garanzia e le riparazioni rivolgersi al distributore).
- **NON** toccare i terminali della batteria e del caricabatteria.
- **MANTENERE** le batterie completamente cariche. Mettere la batteria in carica ogni volta che non lo si usa. Se è più pratico, caricarlo ogni notte. Non esiste il rischio di sovraccaricare le batterie.
- **NON** scaricare **MAI** completamente le batterie. Non appena viene emesso il segnale acustico, completare l'operazione di sollevamento in corso e caricare le batterie.
- Per evitare possibili danni permanenti alla batteria ricaricarla non appena il visore visualizza il simbolo di batteria carica solo a metà.
- **NON** riporre **MAI** la batteria per lunghi periodi di tempo senza ricaricarla periodicamente nel corso del periodo di immagazzinamento.
- Prima di collegare o scollegare la batteria accertarsi **SEMPRE** di disattivare l'alimentazione di rete.
- Quando l'alimentazione di rete non è attiva, **NON** lasciare **MAI** una batteria connessa al caricabatteria.

- **NON** lasciare acceso il caricabatterie se non è connesso a una batteria.
- **NON** usare il sollevatore mentre si sta ricaricando la batteria.
- **PRIMA DI MUOVERE** il sollevatore verificare che la batteria non sia in ricarica perché potrebbe danneggiare la connessione elettrica.
- **NON** staccare la spina del caricabatteria tirando il cavo.
- **FARE ATTENZIONE** a non inciampare nel cavo di ricarica.
- **NON** ricaricare un sollevatore elettrico nel bagno o nella stanza della doccia.

9. Programma di manutenzione

Tutti i prodotti Oxford richiedono una manutenzione minima. Tuttavia è necessario seguire alcune procedure ed effettuare alcuni controlli per la sicurezza. Di seguito è riportato il programma dei controlli da svolgere QUOTIDIANAMENTE. I controlli quotidiani, la manutenzione semestrale, i controlli e il test faranno sì che il sollevatore funzioni sempre in modo sicuro ed ottimale. Su richiesta è disponibile un elenco delle parti di ricambio.

Il TEST DI CARICO e la certificazione devono essere eseguiti solo da personale qualificato o da un rivenditore autorizzato.

ELENCO DEI CONTROLLI QUOTIDIANI: Joerns Healthcare consiglia vivamente di eseguire i seguenti controlli ogni giorno e prima di usare il sollevatore.

- ASSICURARSI che il sollevatore si muova liberamente sulle ruote piroettanti.
- ACCERTARSI CHE la barra distanziatrice a 6 punti possa ruotare e oscillare liberamente.
- ESAMINARE e CONTROLLARE che la barra distanziatrice a 6 punti sia saldamente attaccata al piantone.
- ESAMINARE che i ganci/fermagli dell'imbracatura sulla barra distanziatrice a 6 punti non siano danneggiati e/o non presentino segni eccessivi di usura.
- VERIFICARE che le gambe del sollevatore possano aprirsi/chiudersi correttamente e bloccarsi in tutte le posizioni aperte e chiuse.
- AZIONARE il telecomando per assicurarsi che il braccio si alzi e si abbassi correttamente.
- AGIRE sull'unità palmare per confermare che il posizionamento motorizzato integrato del sistema di posizionamento funzioni correttamente (in base al modello).
- VERIFICARE che il pannello della centralina di controllo non visualizzi il simbolo illuminato di un cacciavite e che non venga emesso alcun segnale sonoro quando si premono i pulsanti di sollevamento/abbassamento.
- VERIFICARE il funzionamento del pulsante di arresto di emergenza.
- Assicurarsi che le imbracature non siano logore o in qualche modo danneggiate. NON usare l'imbracatura se si rilevano dei danni o se l'imbracatura presenta segni di usura.
- ASSICURARSI che l'allarme delle batterie scariche non suoni quando si utilizza il telecomando. Se il segnale viene emesso, NON usare il sollevatore e metterlo immediatamente sotto carica.
- ACCERTARSI del corretto fissaggio dei collegamenti all'azionatore.
- Prima dell'uso, ISPEZIONARE VISIVAMENTE tutti gli elementi di fissaggio/morsetti e verificare che siano correttamente serrati.

Manutenzione, ispezione e test

Joerns Healthcare consiglia di eseguire regolarmente un controllo e un test approfonditi del sollevatore Oxford Presence e degli accessori di sollevamento, delle imbracature, della bilancia e così via. La frequenza delle ispezioni dipende dalla località di utilizzo, pertanto, è necessario verificare con il rivenditore o con l'agenzia governativa locale competente la tempistica prevista per le ispezioni. L'esame e la prova devono essere eseguiti attenendosi alle raccomandazioni e procedure descritte in questo manuale. Joerns Healthcare raccomanda che la manutenzione, le ispezioni e le prove certificate vengano eseguite esclusivamente da un agente di un Centro di assistenza/rivenditore autorizzato.

NOTA: Queste raccomandazioni sono conformi ai requisiti n. 2307 del 1998, Health and Safety: The Lifting Operations and Lifting Equipment Regulations (Salute e sicurezza: regolamento per i mezzi di sollevamento e le operazioni di sollevamento). Si tratta di un regolamento britannico. Verificare quali sono i requisiti del paese in cui si risiede.

Pulizia

Pulire con acqua e sapone comune e/o un qualsiasi disinfettante per superfici dure. Non usare prodotti chimici acidi o abrasivi in quanto potrebbero danneggiare le finiture del sollevatore. Evitare di bagnare le parti elettriche. Al termine della pulizia asciugare completamente l'unità.

Smaltimento a fine vita

Batteria: Tutte le batterie del prodotto e tutti gli accessori devono essere riciclati separatamente. Le batterie devono essere smaltite attenendosi ai regolamenti locali o nazionali in vigore.

Imbracature: Le imbracature e gli accessori associati devono essere considerati come materiali infiammabili in base a quanto previsto dai regolamenti di smaltimento locali o nazionali in vigore.

*** I CONTROLLI DOVREBBERO COMPRENDERE:**

	Situazione iniziale	Prima dell'uso	Intervalli di manutenzione
1. STAFFA: Assicurarsi che ruoti e oscilli liberamente. Verificare che il perno centrale non sia logoro. Controllare che l'attacco al braccio sia saldo.	✓	✓	✓
2. BRACCIO: Controllare l'attacco del braccio all'albero. Assicurarsi che il movimento laterale del braccio sia minimo e il braccio sia libero di ruotare sul suo sostegno.	✓	✓	✓
3. COLONNA: Verificare il funzionamento del dispositivo di bloccaggio della colonna. Assicurarsi che la colonna sia completamente inserita nella base. Controllare il supporto inferiore.	✓	✓	✓
4. ATTUATORE: Non richiede alcuna manutenzione. È sufficiente controllarne il funzionamento corretto e stare attenti ad eventuali rumori insoliti.			✓
5. SMART MONITOR: Verificare il funzionamento del pulsante di arresto di emergenza. Assicurarsi che la presa del telecomando. Controllare il funzionamento del telecomando. Controllare e confermare il corretto funzionamento dei controlli aggiuntivi.	✓	✓	✓
6. BATTERIE: Sono situate in un pacco e non richiedono alcuna manutenzione. È sufficiente caricarle regolarmente secondo le istruzioni fornite. Controllare che le connessioni siano pulite.			✓
7. REGOLAZIONE DELLA BASE: Controllare il funzionamento di entrambe le gambe del sollevatore quando sono completamente estese (verso l'interno o verso l'esterno).	✓	✓	✓
8. RUOTE PIROETTANTI: Assicurarsi che siano fissate saldamente alla base. Verificare che tutte le ruote girino liberamente.	✓	✓	✓
9. PULIZIA: Pulire con acqua e sapone comune e/o un qualsiasi disinfettante per superfici dure. Non usare prodotti chimici acidi o abrasivi in quanto potrebbero danneggiare le finiture del sollevatore. Evitare di bagnare le parti elettriche. Dopo la pulizia è necessario asciugare completamente l'unità.		✓	✓
10. PROVA DI CARICO: La prova di carico deve essere eseguita nel rispetto delle procedure di prova effettuate dal fabbricante. Si raccomanda vivamente di fare eseguire la prova da un Centro di assistenza autorizzato.			✓
11. BASE E ROTELLE: Accertarsi che la base sia posizionata su una superficie uniforme e orizzontale (tutte quattro le rotelle devono appoggiarsi al pavimento).	✓	✓	✓
12. IMBRACATURE: Verificare la presenza di segni di usura o di logoramento.	✓	✓	✓
13. LUBRIFICAZIONE: Oliare gli snodi articolati, comprese quelli delle connessioni del montante e del braccio, del gruppo del pedale e della barra distanziatrice (solo quando necessario).			✓

	Situazione iniziale	Prima dell'uso	Intervalli di manutenzione
14. UNITÀ PALMARE: Accertarsi che sia completamente innestata nell'unità di controllo.	✓	✓	
15. PERNO A SGANCIO RAPIDO: Prima del sollevamento, accertarsi che lo spinotto sia correttamente fissato facendo pressione sull'estremità sporgente.	✓	✓	
16. AGGANCI: Controllare la presenza di segni di eccessiva usura e il corretto serraggio di tutti i dadi, bulloni, viti e dispositivi di fissaggio. Se necessario, sostituirli.			✓
17. SISTEMA APC INTEGRATO: (In base al modello). Controllare con l'unità palmare che il sistema APC integrato funzioni in entrambe le direzioni. Non richiede alcuna manutenzione. È sufficiente controllarne il funzionamento corretto e stare attenti ad eventuali rumori insoliti.	✓	✓	✓

10. Specifiche tecniche

Portata di sicurezza	500 lbs.....	227 kgs
Lunghezza massima totale	57.5 pollici	1460 mm
Lunghezza minima totale	55.1 pollici	1400 mm
Altezza massima totale	81.3 pollici	2065 mm
Altezza minima totale	57.5 pollici	1460 mm
Altezza massima barra distanziatrice	75.2 pollici	1910 mm
Altezza minima barra distanziatrice	16.9 pollici	430 mm
Altezza all'altezza massima raggiungibile	51.5 pollici	1310 mm
Distanza all'altezza massima	25.6 pollici	650 mm
Distanza all'altezza minima	15.7 pollici	400 mm
Altezza massima raggiungibile*	36.6 pollici	930 mm
Raggio di sterzata	64.2 pollici	1630 mm
Gambe aperte - Larghezza esterna	45.2 pollici	1150 mm
Gambe aperte - Larghezza interna	40.1 pollici	1020 mm
Gambe chiuse - Larghezza esterna	26.4 pollici	670 mm
Gambe chiuse - Larghezza interna	21.6 pollici	550 mm
Altezza totale base	4.7 pollici	120 mm
Distanza da terra	1.4 pollici	35 mm
Ruote piroettanti anteriori	4 pollici	100 mm
Ruote piroettanti posteriori con freni	4 pollici	100 mm

*L'altezza massima equivale alla distanza dal centro della barra distanziatrice alla parte anteriore dell'albero

Sistema a culla a 4 punti (misura fino in cima ai perni di posizione)

Altezza massima sistema a culla	61 pollici	1550 mm
Altezza minima sistema a culla (utilizzabile) ..	15.4 pollici	390 mm

Pesi

Albero, base e braccio	81.4 lbs.....	37 kgs
(compresa barra distanziatrice a 2 punti)		
Piantone, base e braccio.....	101.4 lbs.....	46 kgs
(con sistema APC integrato)		
Pacco batterie	6.6 lbs.....	3 kgs
Totale	88 lbs.....	40 kgs
Gruppo della base (senza batteria)	44 lbs.....	20 kgs
Colonna e braccio (senza batteria)	37.4 lbs.....	17 kgs
Sistema a culla a 4 punti	13.2 lbs.....	6 kgs

Tutte le misure rientrano in una tolleranza di +5/-5 gradi.

SPECIFICHE ELETTRICHE:

BATTERIE	24 ricaricabili, al piombo acido, sigillate
CAPACITÀ BATTERIA.....	3,2 Ah
POTENZA NOMINALE IN INGRESSO DEL CARICABATTERIA	100 - 240 V AC/ 50/60 Hz
POTENZA NOMINALE IN USCITA DEL CARICABATTERIA	29,5 VDC, Max. 19 W

PROTEZIONE DA SCARICHE ELETTRICHE

CARICABATTERIA	CLASSE II (EN 60601-1)
SOLLEVATORE	ALIMENTAZIONE INTERNA

GRADO DI PROTEZIONE DA SCOSSE

CARICABATTERIA	TIPO B (EN 60601-1)
SOLLEVATORE	TIPO B (EN 60601-1)

CONDIZIONI AMBIENTALI:

In caso contrario potrebbe essere compromessi il funzionamento e le condizioni di sicurezza.

OPERATIVE:

TEMPERATURA.....	5°C a 40°C
UMIDITÀ RELATIVA	20% a 90% @ 30°C - non condensante
PRESSIONE ATMOSFERICA.....	700 a 1060 hPa

IMMAGAZZINAGGIO:

TEMPERATURA.....	-10°C a +50°C
UMIDITÀ RELATIVA	20% a 90% @ 30°C - non condensante
PRESSIONE ATMOSFERICA.....	700 a 1060 hPa

CLASSIFICAZIONI IP

CENTRALINA	IPX4
ATTUATORE.....	IPX4
CARICABATTERIA SEPARATO	IPX5
BATTERIA.....	IPX5
TELECOMANDO	IPX5

CICLI DI LAVORO

ATTUATORE.....	10% (2 min./18 min.)
CARICABATTERIA.....	Ca. 4 ore

LIVELLO DI RUMORE

Livello di rumore ponderato A	60 dB (A)
-------------------------------------	-----------

SIMBOLI:

Sul caricabatterie, sull'unità di controllo e sulla batteria sono applicati i simboli seguenti:



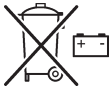
Prodotto classificato come Dispositivo medico conforme al Regolamento (UE) 2021/745 relativo ai Dispositivi medici Regolamento 2017/745.



Apparecchiatura di tipo B, conforme alla norma EN 60601-1.



Apparecchiatura di Classe 2.



Smaltire le batterie separatamente dai rifiuti domestici indifferenziati. Le batterie devono essere smaltite nel rispetto dei regolamenti locali o nazionali in vigore.



Smaltire i componenti elettronici separatamente dai rifiuti domestici indifferenziati.



Per solo uso in ambienti interni.



ATTENZIONE: fare riferimento alla documentazione di accompagnamento



Prima dell'uso fare riferimento alle Istruzioni per l'utente.



Marchio di certificazione che indica la conformità ai requisiti richiesti per i prodotti commercializzati in Gran Bretagna.



Indicazioni per contattare il fabbricante di dispositivi medici non europeo, le Autorità nazionali competenti (Ministero della salute) ed Enti certificati.



Identificazione univoca del dispositivo destinata a fornire un'indicazione univoca e armonizzata per la distribuzione e l'utilizzo di Dispositivi medici.



Indica l'entità che importa il Dispositivo medico nel mercato locale.

Numero di registrazione dei produttori WEEE: WEE/GG0464RZ

11. Garanzia

Joerns Healthcare ha una propria rete di rivenditori autorizzati e di centri di assistenza che saranno lieti di gestire tutte le richieste di acquisto, garanzia, riparazione e manutenzione. Si raccomanda di fare eseguire la messa in servizio dei nostri prodotti da un rivenditore o da un centro di assistenza autorizzato.

I rivenditori o i centri di assistenza gestiscono i programmi di garanzia e, pertanto, è importante annotarne il nome, l'indirizzo e il numero di telefono, in modo da poterli contattare in caso di necessità. Se non si è sicuri di dove sia stato acquistato il sollevatore, Joerns Healthcare potrà rintracciare il rivenditore mediante il numero di serie del sollevatore.

Tutte le richieste di intervento in garanzia sono soggette all'uso appropriato e al rispetto del programma di manutenzione dell'apparecchiatura, così come descritti nel Manuale per l'utente fornito con ogni sollevatore. La garanzia non copre eventuali danni causati dall'uso in condizioni ambientali non appropriate, oppure dalla mancata osservanza del programma di manutenzione indicato nelle istruzioni per l'utente e di assistenza. Rimangono, tuttavia, inalterati i diritti garantiti dalle leggi in vigore.

RICORDARE: per gli acquisti, le riparazioni, l'assistenza e gli interventi di manutenzione certificati rivolgersi sempre al rivenditore o a un centro di assistenza autorizzato.

Rivenditore:



Joerns
Oxford®



Joerns Healthcare Limited
Drakes Broughton Business Park, Worcester Road, Drakes Broughton
Persore, Worcestershire, WR10 2AG United Kingdom
(T) 0344 811 1158
www.joerns.co.uk • email: info@joerns.co.uk