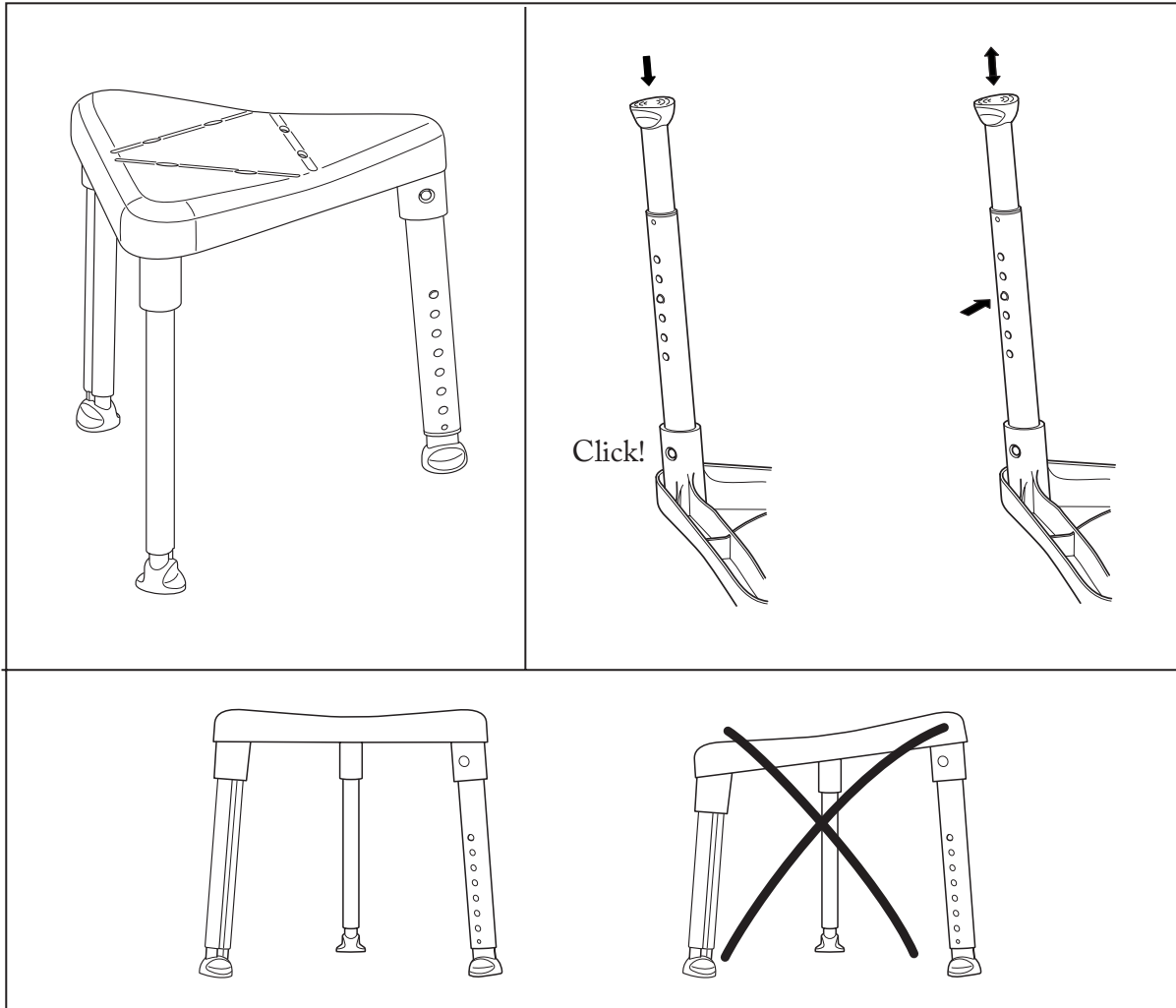


Edge

Duschpall Edge
Showerstool Edge
Edge Duschhocker



78409B
08-10-29
Etac, Box 203, SE-334 24 Anderstorp
Tel. +46/371-58 73 00, Fax. +46/371-58 73 90
www.etac.com



Distributed by
puras
031 996 85 85
puras.ch

etac[®]